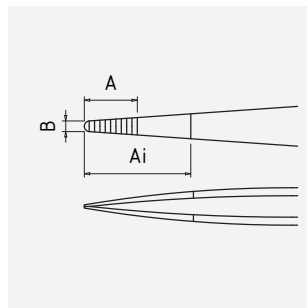


Plastic tweezers 130 mm, tips with internal teething

Art.-No.	05-0030
Description	Plastic tweezers 130 mm, tips with internal teething
Application	Universal, precision mechanics, electricians, jewelers, watchmakers
Specification	finely serrated tips, Opening position approx. 20 mm
Material	plastic
Surface/Coating	/
Features	insulated
Surface resistance	over 10^{12} Ohm
Shape	NG: Normal tips straight
Icon No.	NG5

Dimensions and weight

A = 14 mm
B = 3 mm
Ai = /



length 130 mm
weight 6 g

Application and technical data

PP GF30 (30% glass fibre reinforced polypropylene). Suitable for autoclave cleaning (134°C, 2.1 bar, 20 minutes), ethylene oxide (EO) and gamma sterilisation.

Internally toothed tip, particularly wide clamping range. Depending on the application, a technically interesting alternative to classic metal tweezers, extraordinary strength with great weight savings. High temperature resistance and excellent chemical resistance characterize these plastic tweezers.

X-ON Electronics

Largest Supplier of Electrical and Electronic Components

Click to view similar products for [Pliers & Tweezers](#) category:

Click to view products by [Bernstein](#) manufacturer:

Other Similar products are found below :

[0026](#) [T0058765801](#) [80](#) [76C](#) [378MN](#) [L4VN](#) [LN54VN](#) [NN7776VN](#) [54CGVN](#) [SN55VN](#) [DRP10N](#) [0036](#) [PN 5050/21D](#) [505BGC](#) [622TX](#)
[43450](#) [8150 CO](#) [8165 CO](#) [32BSA25](#) [5BSAF](#) [5FSA](#) [017610101](#) [PN 5025](#) [65516300](#) [YT-2469](#) [011640100](#) [010480315](#) [503 618 3](#) [PGT435](#)
[T3653 250](#) [5000522](#) [011770113](#) [011770101](#) [CPE.A4](#) [T3781](#) [189A.17VE](#) [PPR 5003 D](#) [131 010 2](#) [40603GP](#) [011780102](#) [45705](#) [CPES](#) [6151](#)
[181A.18CPE](#) [391A.16VE](#) [181EF.25CPEPB](#) [011640096](#) [CPE.A1PB](#) [SS406-160](#) [192A.18VE](#)