



BERNSTEIN
TOOLS FOR ELECTRONICS



VDE TOOLS – WORKING UNDER TENSION

Vers.01

GET IN CONTACT WITH US**BERNSTEIN****Werkzeugfabrik
Steinrücke GmbH**

Industriehof Trecknase 1
42897 Remscheid

Tel. + 49 (0) 2191 - 9650 - 0
Fax + 49 (0) 2191 - 9650 - 30

sales@bernstein-tools.de

VISIT US ON THE WEB

We update our product information on a regular basis and automatically using our Product Information System. This enables the quick and up-to-date compilation of customer-specific data feeds for your own digital sale activities. Take advantage of this service and always keep Bernstein product information up to date!

www.bernstein-tools.de

Product videos and blog posts round off our online offering. Furthermore, we also respect the traditional sales channel via specialist retailers and offer the option to present your webshop as an online sales platform for products by BERNSTEIN.

SYMBOL LEGEND**NEU**

New product



Number of tools in sets



Weight



Dimensions

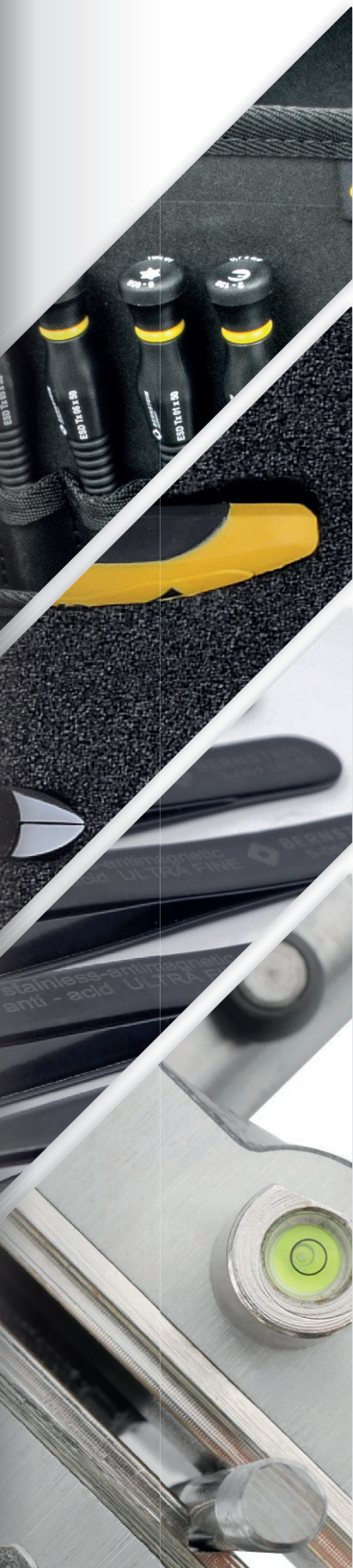


ESD protection (EPA suitable)



VDE tested





VDE TOOLS – WORKING UNDER TENSION

Working under tension is always a highly explosive undertaking. Here it is absolutely necessary safety precautions to be taken into account. Work under voltage" may only be carried out by appropriately trained electricians. The skilled personnel can assess the required security precautions. The protective devices (covers, enclosures or insulating sheaths) must be selected and installed in such a way as to eliminate any risk of electrical or mechanical overloading. All our insulated tools are individually tested according to VDE regulations IEC 60900 / EN 60900 and are therefore approved for work under a voltage of AC 1,000 V and DC 1,500 V.

UNIT-TESTED SAFETY

Voltage test

Unit-tested safety, tested with 10,000 V, approved for 1000 V. This means 10-fold safety.

Coating thickness measurement

Load with 20 N. No breakdown shall occur at 70° C when tested with a voltage of 5000 V AC.

Withdrawal force check

the adhesion of the PVC coating to 500 N or 50 N after 168 hours of storage at 70° C.

VDE PLIERS WITH TWO-COLOUR MULTILAYER SAFETY INSULATION

Pliers made from special tool steel, oil-hardened, chrome-plated with two-colour multilayer dipped insulated, outer red, inner yellow. Damage to the outer red insulation is immediately visible due to the yellow insulation. The advantage is that a simple safety check can be carried out at any time.

Insulated in accordance with VDE regulations IEC 60900/ EN 60900, individually tested, permitted voltage, with which insulated pliers can be used:
1000 V AC voltage or 1500 V DC voltage.



The following types are available, specifications in mm:

Art.-No.	Short description	Type	Cutting values	DIN ISO	Total length	Weight in g	1000 V
13-106 VDE	VDE side cutters	Cutting edges inductively hardened	Steel wire up to Ø 2.0 mm	DIN ISO 5749	165	210	
13-207 VDE	VDE telephone pliers	serrated jaws	Steel wire up to Ø 2.5 mm	DIN ISO 5749	205	240	
13-208 VDE	VDE telephone pliers	serrated jaws	Steel wire up to Ø 2.5 mm	DIN ISO 5749	200	250	
13-708 VDE	VDE combination pliers	serrated jaws	Steel wire up to Ø 2.8 mm	DIN ISO 5746	210	390	
13-806 VDE	VDE wire strippers	with stop screw	-	DIN ISO 5743	170	200	

VDE TWEEZERS

Unsere VDE Pinzetten finden sie in der BERNSTEIN Pinzetten-Broschüre.

VDE PLIERS WITH ONE-COMPONENT PLASTIC HANDLE

Pliers made from special tool steel for hard and soft wires, chrome-plated with one-component plastic grips that are non-slip.

Insulated in accordance with VDE regulations IEC 60900/EN 60900, individually tested, permitted voltage, under which insulated pliers can be used.
1000 V AC voltage or 1500 V DC voltage.



and / or



1000 V



The following types are available, specifications in mm:

Art.-No.	Short description	Type	Cutting values	DIN ISO	Total length	Weight in g	1000 V
13-906 VDE	VDE side cutters	Cutting edges inductively hardened	Steel wire up to Ø 2.0 mm	DIN ISO 5749 (5238B)	165	210	
13-908 VDE	VDE side cutters	Cutting edges inductively hardened	Steel wire up to Ø 2.5 mm	DIN ISO 5749 (5238B)	180	290	
13-915 VDE	VDE telephone pliers	serrated jaws, wire cutters	Steel wire up to Ø 2.0 mm	DIN ISO 5745 (5236A)	160	150	
13-916 VDE	VDE telephone pliers	serrated jaws, wire cutters	Steel wire up to Ø 2.0 mm	DIN ISO 5745 (5236A)	165	150	
13-917 VDE	VDE telephone pliers	serrated jaws, wire cutters	Steel wire up to Ø 2.5 mm	DIN ISO 5745 (5236A)	205	220	
13-918 VDE	VDE telephone pliers	serrated jaws, wire cutters	Steel wire up to Ø 2.5 mm	DIN ISO 5745 (5236A)	200	220	
13-926 VDE	VDE round nose pliers	serrated jaws	-	DIN ISO 5745 (5249A)	165	165	
13-927 VDE	VDE flat nose pliers	serrated jaws	-	DIN ISO 5745 (52489)	170	175	
13-936 VDE	VDE combination pliers	serrated jaws	Steel wire up to Ø 2.0 mm	DIN ISO 5746 (5244)	170	220	
13-937 VDE	VDE combination pliers	serrated jaws	Steel wire up to Ø 2.3 mm	DIN ISO 5746 (5244)	190	280	
13-938 VDE	VDE combination pliers	serrated jaws	Steel wire up to Ø 2.8 mm	DIN ISO 5746 (5244)	210	350	
13-946 VDE	VDE wire strippers	with stop screw	-	DIN ISO 5743	170	190	

VDE SCREWDRIVERS

and / or

► VDE Screwdrivers

BERNSTEIN VDE screwdrivers are under the control of the VDE test centre. Each screwdriver in this series is individually tested in accordance with VDE guidelines DIN IEC 60900 / EN 60900, IEC 900. The test guarantees the highest level of safety for all work up to 1000 V.w

Blade: hardened over the entire length, burnished with protective coating
 Handle: impact-resistant, two-colour multi-component insulation, with anti-slip protection and practical suspension hole



The following types are available, specifications in mm:

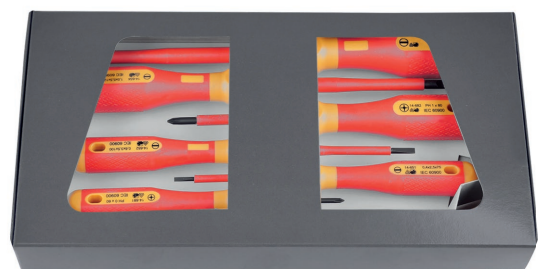
Art.-No.	Symbol	Size / drive	Blade length	Blade width	Blade thickness	Blade diameter	Handle length	Total length	Weight in g
14-651 VDE	⊖	Slot	75	2.5	0.4	-	100 x 21	175	26
14-652 VDE	⊖	Slot	100	3.5	0.6	-	100 x 21	200	34
14-653 VDE	⊖	Slot	100	4	0.8	-	100 x 21	200	37
14-654 VDE	⊖	Slot	125	5.5	1	-	107 x 27	232	75
14-656 VDE	⊖	Slot	150	6.5	1.2	-	114 x 32	264	112
14-658 VDE	⊖	Slot	175	8	1.2	-	121 x 35	296	175
14-681 VDE	⊕	PH0	60	-	-	3	100 x 21	160	27
14-682 VDE	⊕	PH1	80	-	-	4.5	107 x 27	187	57
14-683 VDE	⊕	PH2	100	-	-	6	114 x 32	214	92
14-684 VDE	⊕	PH3	150	-	-	8	121 x 35	271	166
14-685 VDE	⊕	PH/S1	80	-	-	4.5	107 x 27	187	57
14-686 VDE	⊕	PH/S2	100	-	-	6	114 x 32	214	92
14-692 VDE	⊗	PZ1	80	-	-	4.5	107 x 27	187	57
14-693 VDE	⊗	PZ2	100	-	-	6	114 x 32	214	92
14-694 VDE	⊗	PZ3	150	-	-	8	121 x 35	271	166
14-695 VDE	⊗	PZ/S1	80	-	-	4.5	107 x 27	187	57
14-696 VDE	⊗	PZ/S2	100	-	-	6	114 x 32	214	92
16-298 VDE	⊙	3	125	-	-	-	100 x 21	225	40
16-299 VDE	⊙	4	125	-	-	-	100 x 21	225	45
16-301 VDE	⊙	5	125	-	-	-	100 x 21	225	55
16-302 VDE	⊙	5.5	125	-	-	-	107 x 27	232	85

► 14-650 VDE

VDE screwdriver set 7 pcs

Weight: 450 g

Art.-No.	Content
14-651 VDE	⊖ VDE screwdriver slot blade 2.5 x 75 mm
14-652 VDE	⊖ VDE screwdriver slot blade 3.5 x 100 mm
14-654 VDE	⊖ VDE screwdriver slot blade 5.5 x 125 mm
14-656 VDE	⊖ VDE screwdriver slot blade 6.5 x 150 mm
14-681 VDE	⊕ VDE screwdriver cross-recess PH0 Ø 3.0 mm
14-682 VDE	⊕ VDE screwdriver cross-recess PH1 Ø 4.5 mm
4-343 VDE	⊖ VDE voltage tester slot blade 3.0 x 0.7 x 60 mm



14-650 VDE

VDE WRENCHES AND SOCKETS



▶ VDE open-end wrench

Chrome vanadium, chrome-plated, according to DIN 7446, jaw position 15°
Two-colour multilayer dip insulation, 1000 V

Art.-No.	WAF	Weight in g		1000 V
16-501 VDE	6	24	▲	
16-502 VDE	7	25	▲	
16-503 VDE	8	26	▲	
16-504 VDE	9	38	▲	
16-505 VDE	10	42	▲	▲
16-506 VDE	11	48	▲	▲
16-507 VDE	12	58	▲	▲
16-508 VDE	13	68	▲	▲
16-509 VDE	14	75	▲	▲
16-511 VDE	15	88	▲	▲
16-512 VDE	17	120	▲	▲
16-513 VDE	19	160	▲	▲
16-514 VDE	21	210	▲	▲
16-515 VDE	24	300	▲	▲
16-517 VDE	26	340	▲	▲



▶ VDE single-ended ring wrench

Chrome vanadium, chrome-plated, according to DIN 7447,
Two-colour multilayer dip insulation, 1000 V

Art.-No.	WAF	Weight in g		1000 V
16-533 VDE	8	65	▲	
16-535 VDE	10	80	▲	▲
16-536 VDE	11	100	▲	▲
16-537 VDE	12	110	▲	▲
16-538 VDE	13	120	▲	▲
16-539 VDE	14	150	▲	▲
16-541 VDE	15	155	▲	▲
16-542 VDE	16	170	▲	▲
16-543 VDE	17	180	▲	▲
16-544 VDE	18	240	▲	▲



▶ VDE sockets

Chrome vanadium, chrome-plated, according to DIN 7448 qjth square drive,
Two-colour multilayer dip insulation

Art.-No.	Inch	WAF	Weight in g		1000 V
16-441 VDE	1/2	10	60	▲	▲
16-442 VDE	1/2	11	63	▲	▲
16-443 VDE	1/2	12	64	▲	▲
16-444 VDE	1/2	13	64	▲	▲
16-445 VDE	1/2	14	67	▲	▲
16-446 VDE	1/2	15	68	▲	▲
16-447 VDE	1/2	17	74	▲	▲
16-448 VDE	1/2	19	83	▲	▲
16-449 VDE	1/2	22	114	▲	▲
16-451 VDE	1/2	24	117	▲	▲
16-452 VDE	1/2	27	181	▲	▲
16-453 VDE	1/2	30	195	▲	▲
16-454 VDE	1/2	32	200	▲	▲
16-482 VDE	3/8	7	28	▲	▲
16-483 VDE	3/8	8	29	▲	▲
16-484 VDE	3/8	9	31	▲	▲
16-485 VDE	3/8	10	31	▲	▲
16-486 VDE	3/8	11	33	▲	▲
16-487 VDE	3/8	12	33	▲	▲
16-488 VDE	3/8	13	34	▲	▲
16-489 VDE	3/8	14	36	▲	▲
16-491 VDE	3/8	15	44	▲	▲
16-492 VDE	3/8	16	50	▲	▲
16-493 VDE	3/8	17	54	▲	▲
16-494 VDE	3/8	19	58	▲	▲
16-495 VDE	3/8	19	70	▲	▲
16-496 VDE	3/8	20	72	▲	▲
16-497 VDE	3/8	21	77	▲	▲
16-498 VDE	3/8	22	94	▲	▲



▶ VDE reversible ratchet

According to DIN 7449, two-colour multilayer dip insulation
Hold or release the inserts at the push of a button; right/left by turning the lever.

Art.-No.	Type	Total length	Weight in g	1000 V
16-471 VDE	1/2" square drive	260	668	▲
16-472 VDE	3/8" square drive	200	356	▲

▶ VDE T-socket wrench

DIN 7436., two-color multilayer immersion insulation insulated, with locking device



Art.-Nr.	Type	Total length	Weight in g	1000 V
16-475-VDE	1/2" 4-kt. Drive	20.5 x 14.5	453	▲

▶ Extension

DIN 7434, two-colour multilayer dip insulation
Cannulated, locking with screw, with locking device



Art.-No.	Type	Total length	Weight in g	1000 V
16-476 VDE	1/2" square drive	125	206	▲
16-478 VDE	3/8" square drive	125	154	▲

- other dimensions on request -
(minimum purchase 5 pieces)

CABLE CUTTERS

▶ Cable cutters

for copper and aluminium cables, two-colour multilayer immersion insulation, adjustment joint
Material tool steel



15-501 VDE

Art.-No.	Handle type	Type	Total length	Weight in g	1000 V
15-501 VDE	two-colour dip insulated	up to Ø 20 mm / 60 mm ²	210	360	

▶ Ratchet cable cutters

for easier cutting of large cross-sections, for copper and aluminium cables, not for armoured cables.



15-506 VDE

Art.-No.	Handle type	Type	Total length	Weight in g	1000 V
15-506 VDE	two-colour dip insulated	up to Ø 32 mm / 240 mm ²	250	800	

VDE TOOLS

▶ Adjustable spanner

According to DIN 3117, IEC 60900:2004, two-colour multilayer dip insulation, 1000 V, jaw position 15°, with scale graduation



Art.-No.	Width across flats	Weight in g	1000 V
16-773 VDE	0-26	300	
16-774 VDE	0-30	500	

▶ Insulating protective gloves

for work under voltage up to 1000 Volt, made of natural latex high elasticity
piece tested according to DIN EN 60903, VDE 0682-part 31 1, test voltage 5000 Volt



17-501-VDE

Art.-No.	Type	Thickness	Length	Weight in g	1000 V
17-501 VDE	Größe 10	1.6 mm	360 ± 15 mm	175	KL. 0

▶ NH plug-in-grip

with leather cuff 380 x 220 mm for inserting or removing NH fuse links

Art.-No.	Type	Weight in g	1000 V
17-521 VDE	Siemens-handle for NH fuses 00-3, protection of forearm at higher currents (arc fault due to system)	450	



17-521-VDE

▶ Plastic clip

for fixing cover cloths, made of sturdy plastic with concealed spring and rubber web to prevent slipping

Art.-No.	Type	Length	Weight in g	1000 V
17-523 VDE	Clamping width 15 mm, opening width 40 mm	160 mm	60	



17-523-VDE

▶ Self-clamping sleeves

Protect against contact with a live cable end

Art.-No.	Type	Weight in g	1000 V
17-551 VDE	Ø 10 x 80 mm	20	



17-552 VDE

VOLTAGE TESTER

► 17-531 VDE

VDE voltage tester Steinel Volt Check 3

DIN EN 61243-3, DIN CDE 0682, Teil 401, IEC 61010

This voltage tester can be used universally and is built according to the latest safety regulations and guarantees safe and reliable operation. The voltage tester features the following functions: Voltage testing up to 690 V AC/DC phase - phase, automatic AC/DC detection, bright LED display, robust, ergonomically shaped housing for good handling, captive measuring tip shoe.

Weight: 110 g



17-531 VDE

► 4-344 VDE

VDE voltage tester slot blade 3.5 x 0.7 x 110 mm

VDE voltage tester 220 - 250 V, according to DIN VDE 0680 part 6: 1977-04.

Blade: chrome vanadium, nickel-plated, fully insulated, handle: transparent plastic.

Length: 196 mm, weight: 31 g



4-344 VDE

► 4-343 VDE

VDE voltage tester slot blade 3.0 x 0.7 x 60 mm

VDE voltage tester 220 - 250 V, according to DIN VDE 0680 part 6: 1977-04.

Blade: chrome vanadium, nickel-plated, fully insulated, handle: transparent plastic.

Length: 136 mm, weight: 20 g



4-343 VDE

VDE CABLE CUTTING TOOLS

► Cable knives, dismantling knives

Stainless steel blade, with protective blade cap, impact-resistant plastic handle

Art.-No.	Type	Blade length	Total length	Weight in g	1000 V
15-521 VDE	Straight blade	50 mm	180	66	
15-522 VDE	Hook blade	35 mm	180	66	
15-523 VDE	Special blade + slide foot	35 mm	180	73	



15-521 VDE



15-522 VDE



15-523 VDE

► Automatic wire stripper with stop screw

For common flexible and solid conductors (von 0,2 - 6,0 mm²)

Adjustable, removable length stop from 5 - 12 mm

Art.-No.	Type	Total length	Weight in g	1000 V
15-531 VDE	glass fibre reinforced plastic, fully insulated	200	110	



15-531 VDE

► Metal saw bow

Strong die-cast aluminium frame, two-colour multilayer dip insulation

Art.-No.	Type	Total length	Weight in g	1000 V
17-541 VDE	Saw blade (150 mm) interchangeable	270	180	
17-547 VDE	Saw blade (300 mm) interchangeable hardened teeth	460	580	



17-541VDE

8150 VDE TOOL SET IN PLASTIC CASE

Safety tools in a synthetic case for work with voltages of up to 1000 volts. The tools have VDE two-colour multilayer dipped insulation and a VDE 1-component or 2-component grip cover.



BERNSTEIN safety tools are insulated and individually tested in accordance with VDE regulations IEC 60900 / EN 60900, guaranteeing maximum safety. The two-colour multilayer dip insulated makes any damage to the outer red insulation immediately visible due to the yellow insulation underneath. The advantage is that a simple safety check can be carried out at any time.

► 8150 VDE Tool case set 24 pcs (incl. case)

Art.-No.	Content	Art.-No.	Content
8150-10	Plastic case with foam inlay empty	16-445 VDE	VDE socket 1/2 inch 14.0 mm
13-106 VDE	VDE side cutters 165mm	16-447 VDE	VDE socket 1/2 inch 17.0 mm
13-708 VDE	VDE combination pliers 210mm serrated jaws	16-448 VDE	VDE socket 1/2 inch 19.0 mm
14-651 VDE	VDE screwdriver slot blade 2.5 x 75 mm	16-475 VDE	VDE T-socket-wrench 1/2 inch
14-656 VDE	VDE screwdriver slot blade 6.5 x 150 mm	16-505 VDE	VDE single-ended open-end wrench 10.0 mm
14-682 VDE	VDE screwdriver cross-recess PH1 Ø 4.5 mm	16-506 VDE	VDE single-ended open-end wrench 11.0 mm
14-683 VDE	VDE screwdriver cross-recess PH2 Ø 6.0 mm	16-507 VDE	VDE single-ended open-end wrench 12.0 mm
15-521 VDE	VDE cable knife blade length 50mm	16-508 VDE	VDE single-ended open-end wrench 13.0 mm
15-522 VDE	VDE cable dismantling knife with hook blade	16-509 VDE	VDE single-ended open-end wrench 14.0 mm
16-441 VDE	VDE socket 1/2 inch 10.0mm	16-512 VDE	VDE single-ended open-end wrench 17.0 mm
16-442 VDE	VDE socket 1/2 inch 11.0 mm	16-513 VDE	VDE single-ended open-end wrench 19.0 mm
16-443 VDE	VDE socket 1/2 inch 12.0 mm	17-531 VDE	VDE voltage tester Steinel Volt Check 3
16-444 VDE	VDE socket 1/2 inch 13.0 mm		

8160 VDE TOOL SET IN PLASTIC CASE

► 8160 VDE Tool case set 12 pcs (incl. case)

Art.-No.	Content	Art.-No.	Content
8150-10	Plastic case with foam inlay empty	14-654 VDE	VDE screwdriver slot blade 5.5 x 125 mm
13-106 VDE	VDE side cutters 165mm	14-656 VDE	VDE screwdriver slot blade 6.5 x 150 mm
13-207 VDE	VDE telephone pliers 205mm serrated jaws, straight, with wire cutters	14-682 VDE	VDE screwdriver cross-recess PH1 Ø 4.5 mm
13-708 VDE	VDE combination pliers 210mm serrated jaws	14-683 VDE	VDE screwdriver cross-recess PH2 Ø 6.0 mm
13-806 VDE	VDE wire strippers 165mm with stop screw	15-521 VDE	VDE cable knife blade length 50mm
14-651 VDE	VDE screwdriver slot blade 2.5 x 75 mm	15-522 VDE	VDE cable dismantling knife with hook blade
14-652 VDE	VDE screwdriver slot blade 3.5 x 100 mm		



Outer dimensions: 350 x 310 x 110 mm



3900 g



24 tools



8150 VDE TOOL SET



Outer dimensions: 350 x 310 x 110 mm



2800 g



12 tools



8160 VDE TOOL SET

VDE TOOL KIT IN BACKPACK

NEW

Safety tools in a synthetic case for work with voltages of up to 1000 volts. The tools have VDE two-colour multilayer dipped insulation and a VDE 1-component or 2-component grip cover.



and/or



BERNSTEIN safety tools are insulated and individually tested in accordance with VDE regulations IEC 60900 / EN 60900, guaranteeing maximum safety. The two-colour multilayer dip insulated makes any damage to the outer red insulation immediately visible due to the yellow insulation underneath. The advantage is that a simple safety check can be carried out at any time.

► 8210-VDE Tool backpack ELECTRICAL 33-pcs.

Art.-No.	Content
8315	Tool backpack GLOBETROTTER 36 empty pockets
4-343-VDE	Voltage tester slot blade 3.0x0.7x60mm
13-106-VDE	Side cutters 165mm
13-207-VDE	Telephone pliers 205 mm straight with wire cutter serrated jaws
13-208-VDE	Telephone pliers 205 mm bent with wire cutter serrated jaws
13-708-VDE	Combination pliers 205 mm with serrated jaws
15-531-VDE	Automatic wire stripper (0.2-6.0m ²) with stop screw
14-651-VDE	Screwdriver slot blade 2.5 x 75 mm
14-652-VDE	Screwdriver slot blade 3.5 x 100 mm
14-653-VDE	Screwdriver slot blade 4.0 x 100 mm
14-654-VDE	Screwdriver slot blade 5.5 x 125 mm
14-682-VDE	Screwdriver cross-recess PH1 Ø 4.5 mm
14-683-VDE	Screwdriver cross-recess PH2 Ø 6.0 mm
14-685-VDE	Combination screwdriver cross-recess PH/S1
14-686-VDE	Combination screwdriver cross-recess PH/S2
14-695-VDE	Combination screwdriver cross-recess PZ/S1
14-696-VDE	Combination screwdriver cross-recess PZ/S2
15-522-VDE	Cable dismantling knife with hook blade
16-441-VDE	Socket 1/2 inch 10.0 mm
16-442-VDE	Socket 1/2 inch 11.0 mm
16-443-VDE	Socket 1/2 inch 12.0 mm
16-444-VDE	Socket 1/2 inch 13.0 mm
16-445-VDE	Socket 1/2 inch 14.0 mm
16-447-VDE	Socket 1/2 inch 17.0 mm
16-471-VDE	Reversible ratchet 1/2 inch
16-476-VDE	Extension 1/2 inch 125 mm
16-503-VDE	Single-ended open-jaw wrench 8.0 mm
16-504-VDE	Single-ended open-jaw wrench 9.0 mm
16-505-VDE	Single-ended open-jaw wrench 10.0 mm
16-506-VDE	Single-ended open-jaw wrench 11.0 mm
16-507-VDE	Single-ended open-jaw wrench 12.0 mm
16-508-VDE	Single-ended open-jaw wrench 13.0 mm
16-509-VDE	Single-ended open-jaw wrench 14.0 mm
16-512-VDE	Single-ended open-jaw wrench 17.0 mm
17-523-VDE	Plastic clip with spiral spring inside

► 8250-VDE Tool backpack ELECTRICAL 35-tlg

Art.-No.	Content
8315	Tool backpack GLOBETROTTER 36 empty pockets
4-343-VDE	Voltage tester slot blade 3.0x0.7x60mm
13-106-VDE	Side cutters 165mm
13-207-VDE	Telephone pliers 205 mm straight with wire cutter serrated jaws
13-208-VDE	Telephone pliers 205 mm bent with wire cutter serrated jaws
13-708-VDE	Combination pliers 205 mm with serrated jaws
15-531-VDE	Automatic wire stripper (0.2-6.0m ²) with stop screw
14-651-VDE	Screwdriver slot blade 2.5 x 75 mm
14-652-VDE	Screwdriver slot blade 3.5 x 100 mm
14-653-VDE	Screwdriver slot blade 4.0 x 100 mm
14-654-VDE	Screwdriver slot blade 5.5 x 125 mm
14-682-VDE	Screwdriver cross-recess PH1 Ø 4.5 mm
14-683-VDE	Screwdriver cross-recess PH2 Ø 6.0 mm
14-685-VDE	Combination screwdriver cross-recess PH/S1
14-686-VDE	Combination screwdriver cross-recess PH/S2
14-695-VDE	Combination screwdriver cross-recess PZ/S1
14-696-VDE	Combination screwdriver cross-recess PZ/S2
15-522-VDE	Cable dismantling knife with hook blade
16-441-VDE	Socket 1/2 inch 10.0 mm
16-442-VDE	Socket 1/2 inch 11.0 mm
16-443-VDE	Socket 1/2 inch 12.0 mm
16-444-VDE	Socket 1/2 inch 13.0 mm
16-445-VDE	Socket 1/2 inch 14.0 mm
16-447-VDE	Socket 1/2 inch 17.0 mm
16-471-VDE	Reversible ratchet 1/2 inch
16-476-VDE	Extension 1/2 inch 125 mm
16-503-VDE	Single-ended open-jaw wrench 8.0 mm
16-504-VDE	Single-ended open-jaw wrench 9.0 mm
16-505-VDE	Single-ended open-jaw wrench 10.0 mm
16-506-VDE	Single-ended open-jaw wrench 11.0 mm
16-507-VDE	Single-ended open-jaw wrench 12.0 mm
16-508-VDE	Single-ended open-jaw wrench 13.0 mm
16-509-VDE	Single-ended open-jaw wrench 14.0 mm
16-512-VDE	Single-ended open-jaw wrench 17.0 mm
17-523-VDE	Plastic clip with spiral spring inside
17-521-VDE	Plug-in-grip with leather gauntlet
17-501-VDE	Protective gloves size 10



Outer dimensions: 440 x 175 x 310 mm



7500 g



33 tools



8210-VDE-TOOL KIT



Outer dimensions:
440 x 175 x 310 mm



7500 g



35 tools



8250-VDE-TOOL KIT

8200 VDE TOOL CASE PROTECTION

A case containing a basic set of common safety tools.

BERNSTEIN safety tools are insulated and individually tested in accordance with VDE regulations IEC 60900 / EN 60900, guaranteeing maximum safety. The two-colour multilayer dip insulated makes any damage to the outer red insulation immediately visible due to the yellow insulation underneath. The advantage is that a simple safety check can be carried out at any time.



► 8200 VDE Tool case 21 pcs

Art.-No.	Content	Art.-No.	Content
5015	Tool case PERFORMANCE 28 empty pockets	15-521 VDE	VDE cable knife blade length 50mm
13-908 VDE	VDE side cutters 180mm	5-505	Stripping knife Ø 4-28mm with hook blade
13-917 VDE	VDE telephone pliers 200 mm serrated jaws, straight, with wire cutters	15-531 VDE	VDE automatic wire stripper (0.2-6.0m ²)
13-937 VDE	VDE combination pliers 185mm with serration	17-523 VDE	VDE plastic clip with internal spiral spring
14-651 VDE	VDE screwdriver slot blade 2.5 x 75 mm	17-541 VDE	VDE metal saw 150mm blade
14-653 VDE	VDE screwdriver slot blade 4.0 x 100 mm	7-116	Engineer's hammer to DIN 1041, 300g
14-654 VDE	VDE screwdriver slot blade 5.5 x 125 mm	7-235	Flat chisel 200 x 14 x 20 mm
14-656 VDE	VDE screwdriver slot blade 6.5 x 150 mm	7-255	Electrician's chisel with safety impact head 200 x 8 x 10 mm
14-682 VDE	VDE screwdriver cross-recess PH1 Ø 4.5 mm	7-405	Painter's spatula 50 mm wide
14-683 VDE	VDE screwdriver cross-recess PH2 Ø 6.0 mm	7-410	Slicker trowel 16 mm wide
14-692 VDE	VDE screwdriver cross-recess PZ1 Ø 4.5 mm		
14-693 VDE	VDE screwdriver cross-recess PZ2 Ø 6.0 mm		

8300 VDE TOOL BACKPACK GLOBETROTTER

A tool kit containing a basic set of VDE tools for mobile use.

BERNSTEIN safety tools are insulated and individually tested in accordance with VDE regulations IEC 60900 / EN 60900, guaranteeing maximum safety. The multilayer dip insulated makes any damage to the outer red insulation immediately visible due to the yellow insulation underneath. The advantage is that a simple safety check can be carried out at any time.

► 8300 VDE Tool backpack 22

Art.-No.	Content	Art.-No.	Content
8315	Tool backpack 36 empty pockets	14-693 VDE	VDE screwdriver cross-recess PZ2 Ø 6.0 mm
13-106 VDE	VDE side cutters 165mm	15-521 VDE	VDE cable knife blade length 50mm
13-207 VDE	VDE telephone pliers 205mm serrated jaws, straight, with wire cutters	15-522 VDE	VDE cable dismantling knife with hook blade
13-708 VDE	VDE combination pliers 210mm serrated jaws	15-531 VDE	VDE automatic wire stripper (0.2-6.0m ²)
14-651 VDE	VDE screwdriver slot blade 2.5 x 75 mm	16-503 VDE	VDE single-ended open-end wrench 8.0 mm
14-653 VDE	VDE screwdriver slot blade 4.0 x 100 mm	16-504 VDE	VDE single-ended open-end wrench 9.0 mm
14-654 VDE	VDE screwdriver slot blade 5.5 x 125 mm	16-505 VDE	VDE single-ended open-end wrench 10.0 mm
14-656 VDE	VDE screwdriver slot blade 6.5 x 150 mm	16-506 VDE	VDE single-ended open-end wrench 11.0 mm
14-658 VDE	VDE screwdriver slot blade 8.0 x 175 mm	16-507 VDE	VDE single-ended open-end wrench 12.0 mm
14-682 VDE	VDE screwdriver cross-recess PH1 Ø 4.5 mm	16-508 VDE	VDE single-ended open-end wrench 13.0 mm
14-683 VDE	VDE screwdriver cross-recess PH2 Ø 6.0 mm	16-509 VDE	VDE single-ended open-end wrench 14.0 mm
14-692 VDE	VDE screwdriver cross-recess PZ1 Ø 4.5 mm		



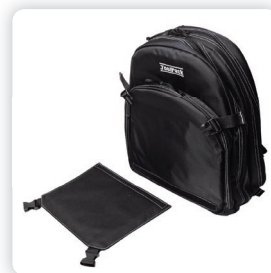
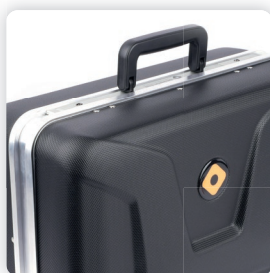
► **8200 VDE case**

The compact shape and the textured surface give the case a high degree of stability. The use of X-ABS synthetic with an extremely non-slip and scratch-resistant surface makes the case resistant to external influences. The high-impact and unbreakable material also makes the suitcase „airworthy“ and withstands the harsh handling checked luggage is subjected to. An ergonomic handle, sturdy ratchet hinges with a lid lock, tool panels made of moisture-resistant and shatter-proof ConPearl® plastic with sewn-in pockets, two locks and an adaptable bottom shell (height 60 mm) add the finishing touches to this case.



► **8300 VDE backpack**

The multifunctional tool backpack made from heavy duty and water-proof black nylon and contrasting white seams offers enough space for your tools with 26 pockets and 37 rubber loops. Thanks to its size-adjustable straps and padded breathable back part, it guarantees excellent carrying comfort – even with very heavy contents. The backpack as a total of three large compartments, each fitted with a high-quality and smooth zip. All the compartments have enough padding to also allow you to carry a tablet or 15" notebook. The detachable front pad is especially nifty and can be used as a knee protector when working on the floor. A ergonomic and very flexible carrying handle, as well as sturdy rubber feet to protect from water-logging add the finishing touches to this very modern-looking and functional backpack.



Outer dimensions: 480 x 350 x 170 mm (closed)



Without tools: 3900 g
With tools: 7100 g



21 tools



8200 VDE PROTECTION with tools
5015 PERFORMANCE without tools



Outer dimensions: 350 x 430 x 230 mm (closed)



Without tools: 2000 g
With tools: 4000



22 tools



8300 VDE GLOBETROTTER with tools
8315 VDE GLOBETROTTER without tools

8100 VDE TOOL CASE SAFETY

A case full of safety for work under voltage up to 1000 volts.
The tools have VDE two-colour multilayer immersion insulation or VDE 1- or 2-component grip cover.



and / or



- ▶ **8100 VDE Werkzeugkoffer SAFETY 35 pcs (incl. case)**
- ▶ **8110 VDE Werkzeugkoffer SAFETY 33 pcs (incl. case), without 17-501 and 17-521**

Art.-No.	Content
8115 VDE	Leather tool case 35 empty pockets
1500-09	Shoulder strap with protection, leather black
4-344 VDE	VDE voltage tester slot blade 3.5 x 0.7 x 110 mm
13-106 VDE	VDE side cutters 165mm
13-207 VDE	VDE telephone pliers 205mm serrated jaws, straight, with wire cutters
13-208 VDE	VDE telephone pliers 205mm serrated jaws, bent, with wire cutters
13-708 VDE	VDE combination pliers 210mm serrated jaws
13-806 VDE	VDE wire strippers 165mm with stop screw
14-652 VDE	VDE screwdriver slot blade 3.5x100mm
14-653 VDE	VDE screwdriver slot blade 4.0 x 100 mm
14-654 VDE	VDE screwdriver slot blade 5.5 x 125 mm
14-656 VDE	VDE screwdriver slot blade 6.5 x 150 mm
14-658 VDE	VDE screwdriver slot blade 8.0 x 175 mm
14-682 VDE	VDE screwdriver cross-recess PH1 Ø 4.5 mm
14-683 VDE	VDE screwdriver cross-recess PH2 Ø 6.0 mm
15-522 VDE	VDE cable dismantling knife with hook blade
16-441 VDE	VDE socket 1/2 inch 10.0mm
16-442 VDE	VDE socket 1/2 inch 11.0 mm
16-443 VDE	VDE socket 1/2 inch 12.0 mm

Art.-No.	Content
16-444 VDE	VDE socket 1/2 inch 13.0 mm
16-445 VDE	VDE socket 1/2 inch 14.0 mm
16-447 VDE	VDE socket 1/2 inch 17.0 mm
16-448 VDE	VDE socket 1/2 inch 19.0 mm
16-449 VDE	VDE socket 1/2 inch 22.0 mm
16-451 VDE	VDE socket 1/2 inch 24.0 mm
16-471 VDE	VDE reversible ratchet 1/2 inch
16-476 VDE	VDE reversible ratchet 1/2 inch
16-503 VDE	VDE single-ended open-end wrench 8.0mm
16-504 VDE	VDE single-ended open-end wrench 9.0 mm
16-505 VDE	VDE single-ended open-end wrench 10.0 mm
16-506 VDE	VDE single-ended open-end wrench 11.0 mm
16-507 VDE	VDE single-ended open-end wrench 12.0 mm
16-508 VDE	VDE single-ended open-end wrench 13.0 mm
16-509 VDE	VDE single-ended open-end wrench 14.0 mm
17-501 VDE	VDE protective gloves size 10 – not included in 8110 –
17-521 VDE	VDE plug-in-grip with leather gauntlet – not included in 8110 –
17-523 VDE	VDE plastic clip with internal spiral spring



► 8100 VDE



An incredibly sturdy case made from cowhide in bright red. The front board is hinged, providing quick access to 35 tools which are stored in pockets and in the bottom tray. Behind the tool set there are additional compartments for safety gloves, an NH handle, circuit diagrams or various written documents. The case has two locks and eyelets on the sides for hooking in the carrying strap. A padded shoulder strap is also included.

BERNSTEIN safety tools are insulated and individually tested in accordance with VDE regulations IEC 60900 / EN 60900, guaranteeing maximum safety. The two-colour multilayer immersion insulation makes any damage to the outer red insulation immediately visible due to the yellow insulation underneath. The advantage is that a simple safety check can be carried out at any time.



Outer dimensions: 440 x 175 x 310 mm
(closed)



Without tools: 3000 g
With tools: 7500 g



35 tools



8100 VDE SAFETY with tools
8115 VDE SAFETY without tools

TERMS OF SALE AND DELIVERY

GENERAL

The nature and scope of delivery are specified in the order confirmation. The following delivery terms shall apply to all deliveries to be carried out by us. Purchasing conditions of the customer do not oblige us, even if we do not expressly contradict this. Verbal or by intercom agreements made require our written confirmation. Obvious mistakes in offers, order confirmations, etc. are expressly reserved and can be considered at any time. We are entitled to process any data relating to the business relationship or in connection with the same concerning buyers, whether the buyer itself or third parties, within the framework of the Federal Data Protection Act.

OFFER

Our offers are permissive, an order is deemed to be granted if confirmed by us in writing. PRICES, DELIVERY BASIS AND PACKAGING Unless otherwise agreed, the prices in Euros, ex works, are exclusive packaging. In the case of special packaging regulations of the customer, the additional costs involved are invoiced. Packaging is not accepted.

DELIVERY

The delivery takes place at the expense and risk of the buyer without regard to who bears the freight costs. We reserve the right to place orders in partial deliveries. For custom-made products, excess or short deliveries of up to 10% are permitted.

DELIVERY TIME

The delivery time begins upon receipt of all information required for the execution of the order. We endeavor to comply with the delivery time specified in the order confirmation. No claims of any kind can be asserted from a delayed delivery.

COMPLAINTS

Complaints can only be accepted within 8 days after receiving of the goods.

The shape and colour of the tool may differ from the item shown in the catalogue.

GUARANTEE

For all BERNSTEIN tools, which are unusable due to proven material or manufacturing defects, we deliver within one year after deliver a replacement. This free replacement service is excluded if the tools have become unusable due to natural wear or improper handling.

DISCLAIMER

We do not assume any guarantee for the suitability of our products for the intended purpose of the customer. For damages caused by unsuitable or improper use, commissioning by the customer or third parties, and for the natural wear and tear we assume no guarantee. Any claims for damages, irrespective of the legal basis, as well as, in particular, the liability by tort (product liability) are excluded to the extent permitted by law.

PAYMENT

Our invoices are payable within 10 days of the invoice date with 2% discount or in 30 days net, unless otherwise agreed in the order confirmation.

RESERVATION OF TITLE

We reserve the title to all goods delivered by us until the buyer has paid all claims arising from the business relationship. The buyer is entitled to resell the reserved goods in ordinary business transactions. In the case of resale, the buyer has to reserve the ownership of the sold goods on the same terms as his customer. The purchaser hereby assigns to us the purchase price claim against the buyer from the resale.

FULFILLMENT AND JURISDICTION

Place of performance and jurisdiction for delivery and payment is Remscheid. In any case, only German law shall apply, with the exclusion of any foreign law.

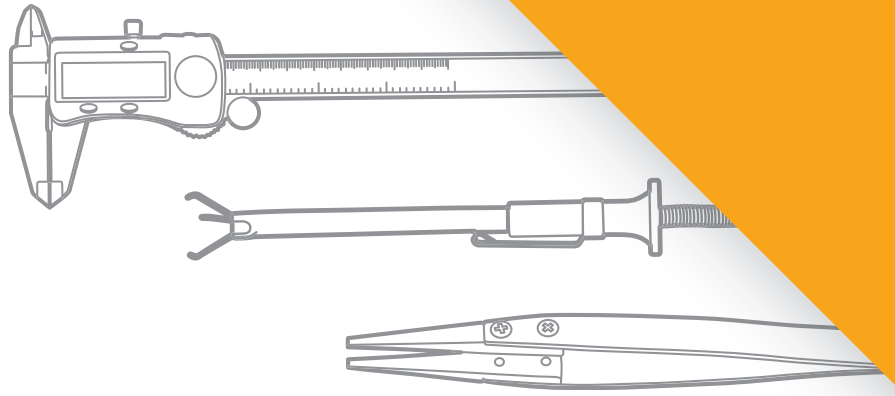
ONLINE DISPUTE RESOLUTION

The European Commission provides a platform for online dispute resolutions (ODR) which can be accessed at

<https://ec.europa.eu/consumers/odr/>.

In order to settle dispute arising from a contractual relationship with a consumer or from whether such a contractual relationship exists at all, we will participate in dispute settlement proceedings before a consumer dispute resolution body. Consumers can contact their national European Consumer Centre in this regard. The respective contact details of the individual ECCs can be found at

<https://www.evz.de/en/alternative-dispute-resolution/adr-in-europe/>.





A little story about
the word amber (BERNSTEIN)

The greek word for amber is „elektron“: the root of today's term electronics. Even the greeks discovered the special feature of amber: by rubbing the natural amber can be electrostatically charged. The charged stone can attract dust particles.

Today you can use this property to check the authenticity of an amber. If it is real, it can be tested through charge rubbing on a cotton cloth.

You can also wear it as jewellery:
it should protect from evil magic and give joy of life.

Just like our high-quality BERNSTEIN
ESD Tools - them protect against
electrostatics and give joy with
the daily work.

(Autor Max Walter Hartmut Blombach)

BERNSTEIN

**Werkzeugfabrik
Steinrücke GmbH**

Industriehof Trecknase 1
42897 Remscheid

Tel. + 49 (0) 2191 - 9650 - 0
Fax + 49 (0) 2191 - 9650 - 30

sales@bernstein-tools.de
www.bernstein-tools.de

X-ON Electronics

Largest Supplier of Electrical and Electronic Components

Click to view similar products for [Pliers & Tweezers](#) category:

Click to view products by [Bernstein](#) manufacturer:

Other Similar products are found below :

[0026](#) [T0058765801](#) [80](#) [76C](#) [378MN](#) [L4VN](#) [LN54VN](#) [NN7776VN](#) [54CGVN](#) [SN55VN](#) [DRP10N](#) [0036](#) [PN 5050/21D](#) [505BGC](#) [622TX](#)
[43450](#) [8150 CO](#) [8165 CO](#) [32BSA25](#) [5BSAF](#) [5FSA](#) [017610101](#) [PN 5025](#) [65516300](#) [YT-2469](#) [011640100](#) [010480315](#) [503 618 3](#) [PGT435](#)
[T3653 250](#) [5000522](#) [011770113](#) [011770101](#) [CPE.A4](#) [T3781](#) [189A.17VE](#) [PPR 5003 D](#) [131 010 2](#) [40603GP](#) [011780102](#) [45705](#) [CPES](#) [6151](#)
[181A.18CPE](#) [391A.16VE](#) [181EF.25CPEPB](#) [011640096](#) [CPE.A1PB](#) [SS406-160](#) [192A.18VE](#)