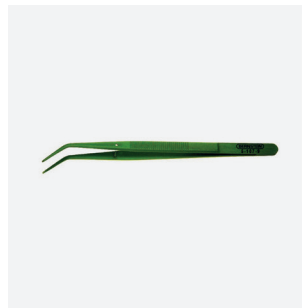
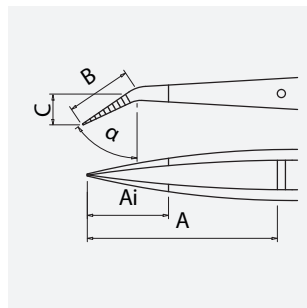


Anatomical tweezers 150 mm Form 22b with guide pin serrated, PTFE coated

Art.-No.	5-107-9
Description	Anatomical tweezers 150 mm Form 22b with guide pin serrated, PTFE coated
Application	Electronics, precision mechanics, robotics, watchmakers, jewelers, medical technology
Specification	with serration
Material	alloyed tool steel
Surface/Coating	PTFE coated
Features	antiallergical coated, heat-resistant
Surface resistance	/
Shape	NB: Normal tips bent
Icon No.	NB2

Dimensions and weight

A = 45 mm
 B = 18 mm
 C = 10 mm
 Ai = /
 angle = 60°



length 150 mm
 weight 22 g

Application and technical data

Mechanic's tweezers with non-slip grip grooves for a secure hold, bent tips, fine serrated.

Due to its special properties, PTFE is often used in the laboratory. Chemical resistant, easy to clean and sanitize, anti-stick property lotus effect, high temperature resistant (from -270 to +280°C / +536°F) weather and UV resistant, very slippery with extremely low coefficient of friction, stainless, non-antimagnetic, insulating.

Tool steel, corrosion protection by surface treatment

X-ON Electronics

Largest Supplier of Electrical and Electronic Components

Click to view similar products for [Pliers & Tweezers](#) category:

Click to view products by [Bernstein](#) manufacturer:

Other Similar products are found below :

[0026](#) [T0058765801](#) [80](#) [76C](#) [378MN](#) [L4VN](#) [LN54VN](#) [NN7776VN](#) [54CGVN](#) [SN55VN](#) [DRP10N](#) [0036](#) [PN 5050/21D](#) [505BGC](#) [622TX](#)
[43450](#) [8150 CO](#) [8165 CO](#) [32BSA25](#) [5BSAF](#) [017610101](#) [PN 5025](#) [65516300](#) [YT-2469](#) [011640100](#) [010480315](#) [503 618 3](#) [PGT435](#) [T3653](#)
[250](#) [5000522](#) [011770113](#) [011770101](#) [CPE.A4](#) [T3781](#) [189A.17VE](#) [PPR 5003 D](#) [131 010 2](#) [40603GP](#) [011780102](#) [45705](#) [CPES](#) [6151](#)
[181A.18CPE](#) [391A.16VE](#) [181EF.25CPEPB](#) [011640096](#) [CPE.A1PB](#) [SS406-160](#) [192A.18VE](#) [8000 0001 0 0](#)