

## CLAMPING VICES SPANNFIX

BERNSTEIN clamping vices SPANNFIX constructed on ball-and-socket joints are rotatable easily in all directions and capable of being set securely with maximum working capacity by simple operation. A set screw below the ball socket allows an individual adjusting of the ball power. Long life is guaranteed by highest powder-coated Alu-casting and surface-refined steel-parts.

### SMALL VICE SPANNFIX

The Spannfix vice simplifies many jobs in precision engineering, in laboratories, in test rooms, in all mechanical and electronical workshops as well as in different medical areas.

#### 9-205 **BERNSTEIN SPANNFIX screw-on vice**

for work benches with a max. table thickness of 80 mm. The small vice with ball-and-socket joint can be mounted quickly and easily onto a work bench or table. Slight pressure on the lever is sufficient, and the clamped workpiece can be moved into any suitable position.

Technical data:	Clamping pressure	150 kp
	Clamping capacity	70 mm
	Clamping depth	38 mm
	Jaw width	50 mm
	Jaws (interchangeable) plastic	
Weight: 1.450 kg	Alu-jaws on request	

#### 9-215 **BERNSTEIN SPANNFIX for permanent mounting using bolts**

Technical data as 9-205  
Size of base: 150 x 105 mm  
Weight: 1.350 kg

#### 9-220 **BERNSTEIN SPANNFIX VICE WITH VACUUM BASE for portable applications**

(consisting of 9-211 and 9-215)  
Technical data as 9-205  
Size of base: 150 x 105 mm  
Weight: 2.000 kg

### SPANNFIX FOR SPECIAL POSITIONINGS

The universal Spannfix ball-and-socket joint base enables an exact and secure adjustment in all directions, e. g. of optoelectronic measuring instruments, of monitors and observation cameras.

#### 9-251 **Universal clamp mounting ball joint base with threaded stud M 12 x 1.5 for screwing onto work benches with a max. table thickness of 80 mm**

Weight: 0.950 kg

#### **SPANNFIX bench mounted base with universal ball joint and threaded stud M 12 x 1.5 for permanent mounting using bolts**

9-261 Size of base: 150 x 105 mm  
Weight: 0.800 kg

9-281 Size of base: 110 x 72 mm  
with four bore-holes of 6 mm Ø for covered inside screwing  
Weight: 0.750 kg

#### 9-210 **SPANNFIX VACUUM BASE with ball joint and threaded stud M 12 x 1.5**

(consisting of 9-211 and 9-261)  
Weight: 1.500 kg

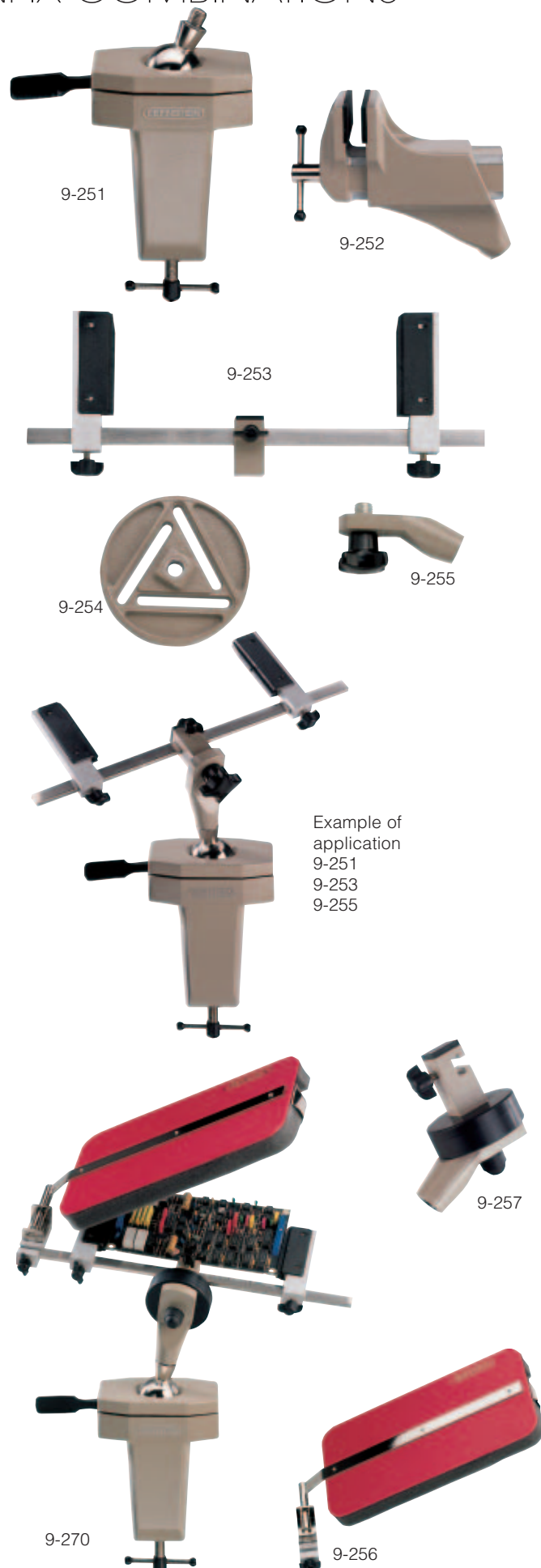
9-211 **SPANNFIX VACUUM BASE only**  
to be used in conjunction with 9-215 or 9-261  
Weight: 0.650 kg



## CLAMPING EQUIPMENT SPANNFIX COMBINATIONS

### Individual components

- 9-251 **Universal clamp mounting ball joint base with threaded stud M 12 x 1.5**  
for screwing onto work benches with a max. table thickness of 80 mm  
Weight: 0.950 kg
- 9-252 **Screw-on mounting vice**  
Technical data:  
Clamping pressure 150 kp  
Clamping capacity 70 mm  
Clamping depth 38 mm  
Jaw width 50 mm  
Jaws (interchangeable) plastic  
Weight: 0.560 kg
- 9-253 **Circuit board holder**  
adjustable from 25 mm to 270 mm clamping capacity, correct setting by adjusting the centre position, firm clamping of the printed circuit by built-in resilience in the locating arms, height of locating arms 70 mm.  
Weight: 0.280 kg  
If the circuit board holder is to be used with universal ball joint base 9-251, we recommend that the combination is used with angular adapter 9-255 or with rapid turning device 9-257 in order to obtain a larger turning circle.
- 9-254 **Universal screw-on plate**  
Slots made for commonly used standard bolts, for holding of e. g. tuner, line output transformer, small loudspeaker etc. or prototypes  
Weight: 0.120 kg
- 9-255 **Angular adapter**  
to be used as an additional attachment with every work mount, permits an even larger turning circle.  
Weight: 0.095 kg
- 9-256 **Clamping lid for circuit boards with components**  
covered with 20 mm thick foamed ESD plastic.  
Components of different sizes are pressed in such a way that soldering can be carried out correctly after the circuit board holder has been turned.  
Size of cover: 240 x 130 mm  
Use: in conjunction with circuit board holder 9-253  
Weight: 0.260 kg
- 9-257 **Rapid turning device**  
with permanently connected angular adapter, permits swift rotation of the circuit board holder with the PCB and clamping lid through 180°.  
Weight: 0.270 kg
- 9-250 **BERNSTEIN SPANNFIX-VARIO assembly vice**  
5 piece set  
with following interchangeable screw-on work mounts  
9-251, 9-252, 9-253, 9-254 and 9-255  
Weight: 2.000 kg
- 9-260 **BERNSTEIN SPANNFIX-VARIO assembly vice**  
5-piece set  
with following interchangeable screw-on work mounts  
9-261, 9-252, 9-253, 9-254 and 9-255  
Weight: 1.900 kg
- 9-270 **BERNSTEIN SPANNFIX-VARIO-PLUS clamping combination**  
Tailor-made combination of the following individual components:  
9-251, 9-257, 9-253, 9-256  
Weight: 1.800 kg



## CLAMPING VICES SPANNFIX MAXI

**Heavy-duty vice SPANNFIX MAXI on ball-and-socket joint rotatable in any direction and capable of being set securely.**

The same operations, the same flexibility and the universal use as the Spannfix small vice also distinguish the large models. Suitable for working on larger and heavier workpieces, e. g. in the metal working and wood processing industry.



9-225

### 9-225 **BERNSTEIN SPANNFIX VICE MAXI screw-on**

for work benches with a max. table thickness of 85 mm.

Technical data: Clamping pressure 300 kp  
Clamping capacity 100 mm  
Clamping depth 50 mm  
Jaw width 100 mm  
interchangeable steel jaws  
smooth and fluted  
Alu- and plastic jaws on request

Weight: 4.000 kg



9-226

### 9-226 **BERNSTEIN SPANNFIX VICE MAXI for permanent mounting using bolts**

Technical data: as 9-225  
Size of base: 190 x 155 mm

Weight: 3.600 kg



9-227

## SPANNFIX MAXI FOR SPECIAL POSITIONINGS

The Spannfix MAXI ball-and-socket joint base enables an exact and secure adjustment e. g. for heavy instruments in all directions.

9-227 **SPANNFIX MAXI universal clamp mounting ball joint base with threaded stud M 12 x 1.5 for screwing onto work benches with a max. table thickness of 85 mm**

Weight: 2.220 kg



9-228

9-228 **SPANNFIX MAXI bench mounted base with universal ball joint and threaded stud M 12 x 1.5 for permanent mounting using bolts**

Size of base: 190 x 155 mm

Weight: 1.850 kg

## X-ON Electronics

Largest Supplier of Electrical and Electronic Components

*Click to view similar products for [bernstein](#) manufacturer:*

Other Similar products are found below :

[618.6800.468](#) [9-205](#) [9-205 ESD](#) [1-909](#) [2230](#) [5-079-13](#) [3-245-13](#) [3-654-15](#) [3-656-15](#) [3-688-15](#) [3-960](#) [5-053](#) [6750](#) [CT-722](#) [3-682-15](#) [2280](#)  
[7015](#) [C2-SU1ZR](#) [9-261](#) [CA-310](#) [CT-682T](#) [CT-822T](#) [CT-882](#) [9-252](#) [616.1500.725](#) [616.1500.726](#) [616.1500.723](#) [5-077-13](#) [ENM2-U1 AD](#)  
[IN65-SU1Z RK](#) [IN65-U1Z RK](#) [GC-UV1Z RIW](#) [IN65-SU1Z DGHK](#) [I81-U1Z AHK](#) [IN65-SU1Z DGKK](#) [IN65-SU1 AHDM](#) [ENM2-SU1 AD](#)  
[TI2-SU1 FF](#) [I49-U1Z AH](#) [I49-SU1Z RIW](#) [I49-SU1Z AH](#) [1500](#) [3-672-15](#) [4-920](#) [3-668-15](#) [3-689-15](#) [5-090V](#) [5-190 V](#) [1-150](#) [CA-150](#)