



规格书

SPECIFICATION SHEET

Customer name: _____

BERYL SERIES: RG TYPE: RADIAL

DESCRIPTION: 330uF/50V Φ10*20

Apply date : 2022-04-11

| BERYL | | | CUSTOMER | | |
|------------------------------|---|----------|----------|---------|----------|
| P/N:RG050M331LO10*20TA-1A1Et | | | P/N: | | |
| PREPARED | CHECKED | APPROVAL | PREPARED | CHECKED | APPROVAL |
| 董桂茹 |  廖梅君 | 张业维 | | | |

After approved, please sign back 1 Approval Sheet before order. If not, we will treat it as tacitly acknowledged and accepted our relative standard and technical index.

Zhao Qing Beryl Electronic Technology Co., Ltd.

TEL: (0758) 13428556686 FAX: (0758) 2862870

E-mail: master@zq-beryl.com <http://www.zq-beryl.com>

NO.8 DUANZHOU ROAD, ZHAOQING CITY. GUANGDONG. CHINA



ALUMINUM ELECTROLYTIC CAPACITORS

Revise record

| NO. | Date | Revise reason | Revise content | Prepared |
|------------|-------------|----------------------|-----------------------|-----------------|
| 01 | 2022.04.11 | First issue | First issue | 董桂茹 |
| | | | | |
| | | | | |
| | | | | |
| | | | | |
| | | | | |
| | | | | |
| | | | | |
| | | | | |
| | | | | |
| | | | | |
| | | | | |
| | | | | |
| | | | | |
| | | | | |
| | | | | |
| | | | | |
| | | | | |

1、Application

This specification applies to Aluminum electrolytic capacitor (foil type) used in electronic equipment.
Designed capacitor's quality meets IEC 60384.

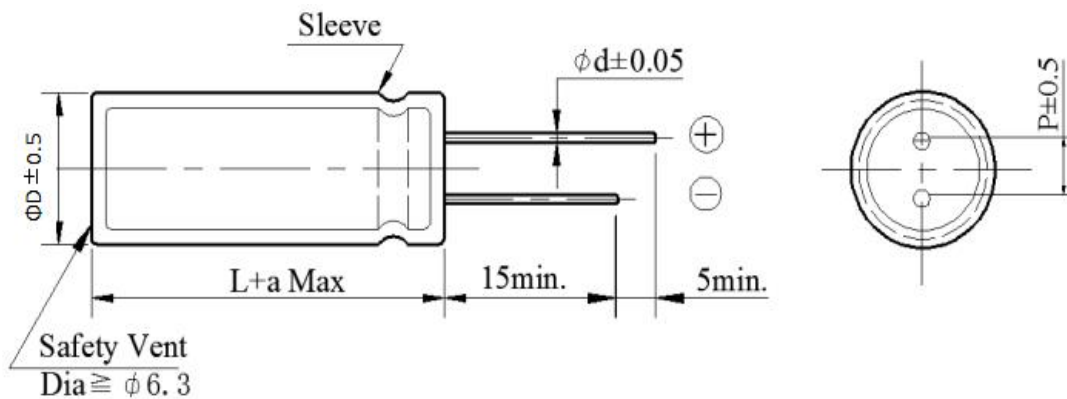
2、Table of specification and characteristics

| Series | Cap(uF) 120Hz/20°C | WV(V) | Size (mm) | | Temperature (°C) | Capacitance Tolerance | Life(hours) @105(°C) |
|----------------------------|---------------------------|-----------------------------|----------------------------------|----|---------------------|--------------------------|-------------------------|
| | | | D | L | | | |
| RG | 330 | 50 | 10 | 20 | -40~+105 | ±20% | 8000 |
| DF (%) (MAX) 120Hz/20°C | LC(μA) (MAX) 2min/20°C | ESR(Ω) (MAX) 100KHz/25°C | RC (mA rms) (MAX)105°C/100KHz | | Surge voltage(V) | | |
| ≤10 | ≤165 | ≤0.18 | 1288 | | 58 | | |

Other: /

3、Product Dimensions

Type



| | | | | | | | | |
|----------|--------------------|-----|---------|-----|-----------------------|-----|-----|-----|
| ΦD | 5 | 6.3 | 8 | 10 | 13 | 16 | 18 | 22 |
| P | 2 | 2.5 | 3.5 | 5 | 5 | 7.5 | 7.5 | 10 |
| Φd | 0.5 | 0.5 | 0.5/0.6 | 0.6 | 0.6 | 0.8 | 0.8 | 0.8 |
| a | $(L < 20) \pm 1.5$ | | | | $(L \geq 20) \pm 2.0$ | | | |

4、Part Number

| | | | | | | | | |
|----|-----|---|-----|----|-------|--------|---|---|
| RG | 050 | M | 331 | LO | 10*20 | TA-1A1 | E | t |
|----|-----|---|-----|----|-------|--------|---|---|

t=date code(week)

Material PET

Sleeve colour

Size:D*L

TYPE CODE DESCRIPTION:
LO Long Lead

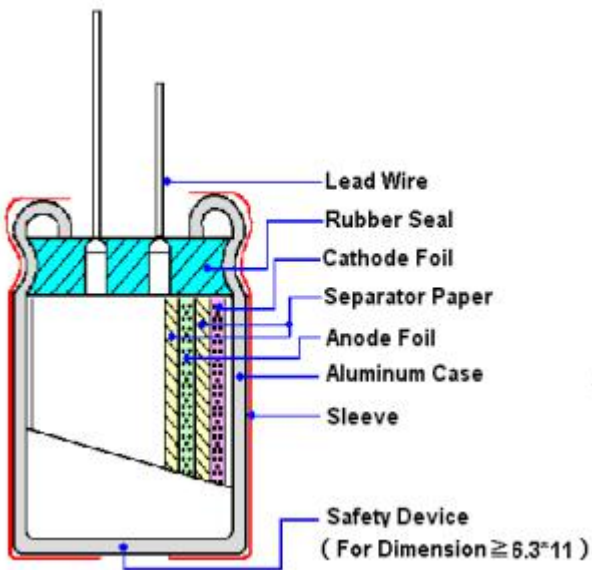
RATED CAPACITANCE:331=330uF

CAPACITANCE TOLERANCE: M= ± 20%

RATED VOLTAGE: 050=50V

SERIES NAME

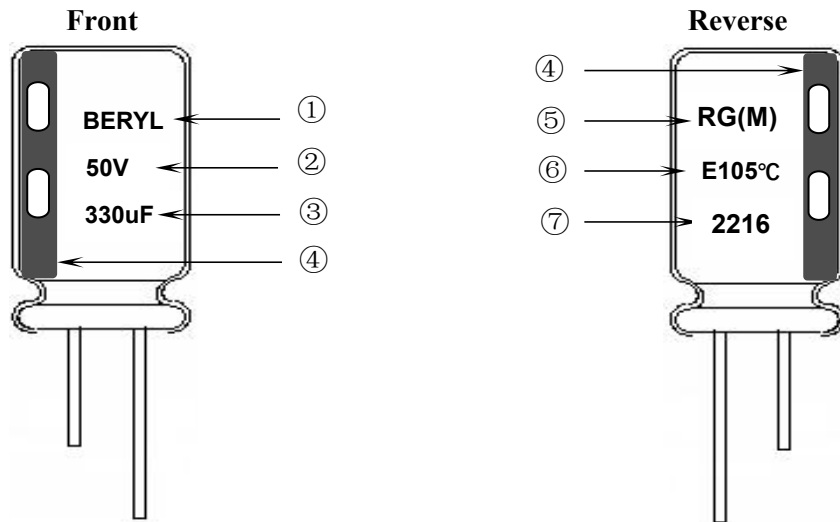
5、Construction



| Material name | Composition | Supplier name |
|---------------|-------------------------------------|----------------------|
| Lead | Al and (Fe+Cu+Sn) | NM、JX |
| Rubber | EPT / IIR | LHX、LA、TH、LM2 |
| Case | Aluminum | OX、YJ、HL、LY2 |
| Paper | Wood / Fibrous plant materials | KE、DF |
| Anode foil | Al + Al ₂ O ₃ | HY1、HY2、HF、HY3、LD、FQ |
| Cathode foil | Aluminum | GY、LY1 |
| Electrolyte | Glycol + Water + Ammonium salt | XZB、LM1、JZ2、FS |
| Sleeve | PET | YL、CY |

6、Product Marking

Marking Sample:



Marking Details:

Capacitor shall be marked the following items:

- 1) Trademark (BERYL)
- 2) working voltage(50V)
- 3) Nominal capacitance(330uF)
- 4) Cathode marked
- 5) Series symbol & Nominal capacitance tolerance (M: -20% ~ +20%)
- 6) Sleeve material(E: PET)

Maximum operating temperature(105°C)

- 7) Date code (2216)

22: Manufactured year 2022

| | | | | | | | | | |
|------|------|------|------|------|------|------|------|------|-------|
| Code | 19 | 20 | 21 | 22 | 23 | 24 | 25 | 26 | |
| Year | 2019 | 2020 | 2021 | 2022 | 2023 | 2024 | 2025 | 2026 | |

16: Manufactured week (01、02、03、04.....52、53)

7、Characteristics

Standard atmospheric conditions

Unless other specified, the standard range of atmospheric conditions for making measurements and tests is as follows:

Ambient temperature : 15°C to 35°C

Relative humidity : 45% to 85%

Air pressure : 86kPa to 106kPa

If there is any doubt about the results, measurement shall be made within the following conditions:

Ambient temperature : 20°C ± 2°C

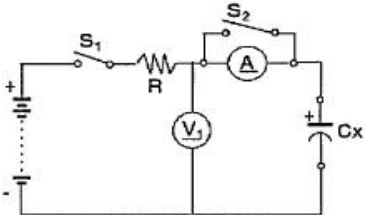
Relative humidity : 60% to 70%

Air pressure : 86kPa to 106kPa

Operating temperature range

The ambient temperature range at which the capacitor can be operated continuously at rated voltage is (6.3~100WV) -40°C to +105°C.

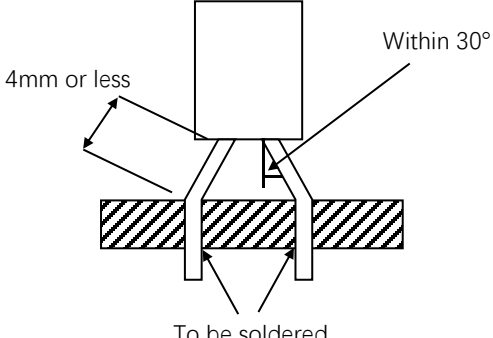
Table

| ITEM | | PERFORMANCE |
|------|--|---|
| 1 | Nominal capacitance (Tolerance) | <p><Condition> Measuring Frequency: 120Hz±12Hz Measuring Voltage: Not more than 0.5Vrms +1.5~2.0V.DC Measuring Temperature: 20±2°C</p> <p><Criteria> Shall be within the specified capacitance tolerance.</p> |
| 2 | Leakage current | <p><Condition> Connecting the capacitor with a protective resistor (1kΩ±10Ω) in series for 2 minutes, and then, measure leakage current.</p> <p><Criteria> I: Leakage current (μA) $I (\mu A) \leq 0.01CV$ or 3 (μA) whichever is greater, measurement circuit refer to right drawing. C: Capacitance (μF) V: Rated DC working voltage (V)</p>  |
| 3 | Dissipation factor | <p><Condition> Nominal capacitance, for measuring frequency, voltage and temperature.</p> <p><Criteria> Must be within the parameters (See page 3)</p> |

| ITEM | | PERFORMANCE | | | | | | | | | | | | | | | | | | | | |
|-----------------------|---|---|-----------------------|---|--------------------|-------------------------------|--------------------|---|------------|---|------|------|------------------|----|----|----|-----|--------|------|------|------|------|
| 4 | Impedance | <p><Condition> Measuring frequency:100kHz; Measuring temperature:20±2°C Measuring point: 2mm max. from the surface of a sealing rubber on the lead wire.</p> <p><Criteria> (20°C) Must be within the parameters (See page 3)</p> | | | | | | | | | | | | | | | | | | | | |
| 5 | Load life test | <p><Condition> According to IEC60384-4No. 4.13 methods, the capacitor is stored at a temperature of Maximum operating temperature ±2°C with DC bias voltage plus the rated ripple current for Rated life +48/0hours. (The sum of DC and ripple peak voltage shall not exceed the rated working voltage) Then the product should be tested after 16 hours recovering time at atmospheric conditions. The result should meet the following table:</p> <p><Criteria> The characteristic shall meet the following requirements.</p> <table border="1"> <tr> <td>Leakage current</td> <td>Not more than the specified value.</td> </tr> <tr> <td>Capacitance Change</td> <td>Within ±25% of initial value.</td> </tr> <tr> <td>Dissipation Factor</td> <td>Not more than 200%of the specified value.</td> </tr> <tr> <td>Appearance</td> <td>There shall be no leakage of electrolyte.</td> </tr> </table> | Leakage current | Not more than the specified value. | Capacitance Change | Within ±25% of initial value. | Dissipation Factor | Not more than 200%of the specified value. | Appearance | There shall be no leakage of electrolyte. | | | | | | | | | | | | |
| Leakage current | Not more than the specified value. | | | | | | | | | | | | | | | | | | | | | |
| Capacitance Change | Within ±25% of initial value. | | | | | | | | | | | | | | | | | | | | | |
| Dissipation Factor | Not more than 200%of the specified value. | | | | | | | | | | | | | | | | | | | | | |
| Appearance | There shall be no leakage of electrolyte. | | | | | | | | | | | | | | | | | | | | | |
| 6 | Shelf life test | <p><Condition> The capacitors are then stored with no voltage applied at a temperature of Maximum operating temperature±2°C for1000+48/0 hours. Following this period, the capacitors shall be removed from the test chamber and be allowed to stabilized at room temperature for16 hours. measure leakage current</p> <p><Criteria> The characteristic shall meet the following requirements.</p> <table border="1"> <tr> <td>Leakage current</td> <td>Not more than 200%of the specified value.</td> </tr> <tr> <td>Capacitance Change</td> <td>Within ±25% of initial value.</td> </tr> <tr> <td>Dissipation Factor</td> <td>Not more than 200%of the specified value.</td> </tr> <tr> <td>Appearance</td> <td>There shall be no leakage of electrolyte.</td> </tr> </table> | Leakage current | Not more than 200%of the specified value. | Capacitance Change | Within ±25% of initial value. | Dissipation Factor | Not more than 200%of the specified value. | Appearance | There shall be no leakage of electrolyte. | | | | | | | | | | | | |
| Leakage current | Not more than 200%of the specified value. | | | | | | | | | | | | | | | | | | | | | |
| Capacitance Change | Within ±25% of initial value. | | | | | | | | | | | | | | | | | | | | | |
| Dissipation Factor | Not more than 200%of the specified value. | | | | | | | | | | | | | | | | | | | | | |
| Appearance | There shall be no leakage of electrolyte. | | | | | | | | | | | | | | | | | | | | | |
| 7 | Maximum permissible (ripple current, temperature coefficient) | <p><Condition> The maximum permissible ripple current is the maximum A.C current at 100kHz and can be applied at maximum operating temperature Table-3 The combined value of D.C voltage and the peak A.C voltage shall not exceed the rated voltage and shall not reverse voltage.</p> <p>Frequency Multipliers:</p> <table border="1"> <tr> <td>Freq (Hz) \ Cap. (µF)</td> <td>120</td> <td>1k</td> <td>10k</td> <td>100k</td> </tr> <tr> <td>330</td> <td>0.50</td> <td>0.85</td> <td>0.94</td> <td>1.00</td> </tr> </table> <p>Temperature Coefficient:</p> <table border="1"> <tr> <td>Temperature (°C)</td> <td>60</td> <td>85</td> <td>95</td> <td>105</td> </tr> <tr> <td>Factor</td> <td>2.23</td> <td>1.73</td> <td>1.41</td> <td>1.00</td> </tr> </table> | Freq (Hz) \ Cap. (µF) | 120 | 1k | 10k | 100k | 330 | 0.50 | 0.85 | 0.94 | 1.00 | Temperature (°C) | 60 | 85 | 95 | 105 | Factor | 2.23 | 1.73 | 1.41 | 1.00 |
| Freq (Hz) \ Cap. (µF) | 120 | 1k | 10k | 100k | | | | | | | | | | | | | | | | | | |
| 330 | 0.50 | 0.85 | 0.94 | 1.00 | | | | | | | | | | | | | | | | | | |
| Temperature (°C) | 60 | 85 | 95 | 105 | | | | | | | | | | | | | | | | | | |
| Factor | 2.23 | 1.73 | 1.41 | 1.00 | | | | | | | | | | | | | | | | | | |

| ITEM | | PERFORMANCE | | | | | | | | | | | | | | | | | | | | | | | | | | | | | | | | | | | | | | |
|-----------------------|---|--|-----------------------|------------------------------------|-----------------------|-------------------------------|--------------------|------------------------------------|------------|---|-----------------------------------|---|------|-----------------------------------|---|-------|-----------------------------------|---|------|-----------------------------------|-------------|-----|----|----|----|----|----|----|----|-----|---------------|---|---|---|---|---|---|---|---|---|
| 8 | Terminal strength | <p><Condition> Tensile strength of terminals Fixed the capacitor, applied force to the terminal in lead out direction for 30±5-0 seconds. Bending strength of terminals. Fixed the capacitor, applied force to bent the terminal (1~4 mm from the rubber) for 90° within 2~3 seconds, and then bent it for 90° to its original position within 2~3 seconds.</p> <table border="1" style="margin-left: auto; margin-right: auto; border-collapse: collapse;"> <thead> <tr> <th style="width: 33%;">Diameter of lead wire</th> <th style="width: 33%;">Tensile force N (kgf)</th> <th style="width: 33%;">Bending force N (kgf)</th> </tr> </thead> <tbody> <tr> <td style="text-align: center;">0.5mm and less</td> <td style="text-align: center;">5 (0.51)</td> <td style="text-align: center;">2.5 (0.25)</td> </tr> <tr> <td style="text-align: center;">0.6~0.8 mm</td> <td style="text-align: center;">10 (1.02)</td> <td style="text-align: center;">5 (0.51)</td> </tr> </tbody> </table> <p><Criteria> No noticeable changes shall be found, no breakage or looseness at the terminal.</p> | Diameter of lead wire | Tensile force N (kgf) | Bending force N (kgf) | 0.5mm and less | 5 (0.51) | 2.5 (0.25) | 0.6~0.8 mm | 10 (1.02) | 5 (0.51) | | | | | | | | | | | | | | | | | | | | | | | | | | | | | |
| Diameter of lead wire | Tensile force N (kgf) | Bending force N (kgf) | | | | | | | | | | | | | | | | | | | | | | | | | | | | | | | | | | | | | | |
| 0.5mm and less | 5 (0.51) | 2.5 (0.25) | | | | | | | | | | | | | | | | | | | | | | | | | | | | | | | | | | | | | | |
| 0.6~0.8 mm | 10 (1.02) | 5 (0.51) | | | | | | | | | | | | | | | | | | | | | | | | | | | | | | | | | | | | | | |
| 9 | Temperature characteristics | <p><Condition></p> <table border="1" style="margin-left: auto; margin-right: auto; border-collapse: collapse;"> <thead> <tr> <th style="width: 10%;">STEP</th> <th style="width: 40%;">Testing temperature (°C)</th> <th style="width: 50%;">Time</th> </tr> </thead> <tbody> <tr> <td style="text-align: center;">1</td> <td style="text-align: center;">20±2</td> <td style="text-align: center;">Time to reach thermal equilibrium</td> </tr> <tr> <td style="text-align: center;">2</td> <td style="text-align: center;">-40 -25±3</td> <td style="text-align: center;">Time to reach thermal equilibrium</td> </tr> <tr> <td style="text-align: center;">3</td> <td style="text-align: center;">20±2</td> <td style="text-align: center;">Time to reach thermal equilibrium</td> </tr> <tr> <td style="text-align: center;">4</td> <td style="text-align: center;">105±2</td> <td style="text-align: center;">Time to reach thermal equilibrium</td> </tr> <tr> <td style="text-align: center;">5</td> <td style="text-align: center;">20±2</td> <td style="text-align: center;">Time to reach thermal equilibrium</td> </tr> </tbody> </table> <p>Capacitance, DF, and impedance shall be measured at 120Hz.</p> <p><Criteria></p> <p>a. At +105°C, capacitance measured at +20°C shall be within ±25% of its original value. Dissipation factor shall be within the limit of Item 7.3 The leakage current measured shall not more than 10 times of its specified value.</p> <p>b. In step 5, capacitance measured at +20°C shall be within ±10% of its original value. Dissipation factor shall be within the limit of Item 7.3 The leakage current shall not more than the specified value.</p> <p>c. At -40°C, Impedance (Z) ratio shall not exceed the value of the following table.</p> <table border="1" style="margin-left: auto; margin-right: auto; border-collapse: collapse;"> <thead> <tr> <th style="width: 15%;">Voltage (V)</th> <th style="width: 5%;">6.3</th> <th style="width: 5%;">10</th> <th style="width: 5%;">16</th> <th style="width: 5%;">25</th> <th style="width: 5%;">35</th> <th style="width: 5%;">50</th> <th style="width: 5%;">63</th> <th style="width: 5%;">80</th> <th style="width: 5%;">100</th> </tr> </thead> <tbody> <tr> <td>Z-40°C/Z+20°C</td> <td style="text-align: center;">8</td> <td style="text-align: center;">6</td> <td style="text-align: center;">4</td> <td style="text-align: center;">3</td> <td style="text-align: center;">3</td> <td style="text-align: center;">3</td> <td style="text-align: center;">3</td> <td style="text-align: center;">3</td> <td style="text-align: center;">3</td> </tr> </tbody> </table> | STEP | Testing temperature (°C) | Time | 1 | 20±2 | Time to reach thermal equilibrium | 2 | -40 -25±3 | Time to reach thermal equilibrium | 3 | 20±2 | Time to reach thermal equilibrium | 4 | 105±2 | Time to reach thermal equilibrium | 5 | 20±2 | Time to reach thermal equilibrium | Voltage (V) | 6.3 | 10 | 16 | 25 | 35 | 50 | 63 | 80 | 100 | Z-40°C/Z+20°C | 8 | 6 | 4 | 3 | 3 | 3 | 3 | 3 | 3 |
| STEP | Testing temperature (°C) | Time | | | | | | | | | | | | | | | | | | | | | | | | | | | | | | | | | | | | | | |
| 1 | 20±2 | Time to reach thermal equilibrium | | | | | | | | | | | | | | | | | | | | | | | | | | | | | | | | | | | | | | |
| 2 | -40 -25±3 | Time to reach thermal equilibrium | | | | | | | | | | | | | | | | | | | | | | | | | | | | | | | | | | | | | | |
| 3 | 20±2 | Time to reach thermal equilibrium | | | | | | | | | | | | | | | | | | | | | | | | | | | | | | | | | | | | | | |
| 4 | 105±2 | Time to reach thermal equilibrium | | | | | | | | | | | | | | | | | | | | | | | | | | | | | | | | | | | | | | |
| 5 | 20±2 | Time to reach thermal equilibrium | | | | | | | | | | | | | | | | | | | | | | | | | | | | | | | | | | | | | | |
| Voltage (V) | 6.3 | 10 | 16 | 25 | 35 | 50 | 63 | 80 | 100 | | | | | | | | | | | | | | | | | | | | | | | | | | | | | | | |
| Z-40°C/Z+20°C | 8 | 6 | 4 | 3 | 3 | 3 | 3 | 3 | 3 | | | | | | | | | | | | | | | | | | | | | | | | | | | | | | | |
| 10 | Surge test | <p><Condition> Applied a surge voltage to the capacitor connected with a (100 ±50)/CR (kΩ) resistor in series for 30±5 seconds in every 5±0.5 minutes at 15~35°C. Procedure shall be repeated 1000 times. Then the capacitors shall be left under normal humidity for 1-2 hours before measurement CR : Nominal Capacitance (μF)</p> <p><Criteria></p> <table border="1" style="margin-left: auto; margin-right: auto; border-collapse: collapse;"> <tbody> <tr> <td style="width: 40%;">Leakage current</td> <td>Not more than the specified value.</td> </tr> <tr> <td>Capacitance Change</td> <td>Within ±15% of initial value.</td> </tr> <tr> <td>Dissipation Factor</td> <td>Not more than the specified value.</td> </tr> <tr> <td>Appearance</td> <td>There shall be no leakage of electrolyte.</td> </tr> </tbody> </table> <p>Attention: This test simulates over voltage at abnormal situation only. It is not applicable to such over voltage as often applied.</p> | Leakage current | Not more than the specified value. | Capacitance Change | Within ±15% of initial value. | Dissipation Factor | Not more than the specified value. | Appearance | There shall be no leakage of electrolyte. | | | | | | | | | | | | | | | | | | | | | | | | | | | | | | |
| Leakage current | Not more than the specified value. | | | | | | | | | | | | | | | | | | | | | | | | | | | | | | | | | | | | | | | |
| Capacitance Change | Within ±15% of initial value. | | | | | | | | | | | | | | | | | | | | | | | | | | | | | | | | | | | | | | | |
| Dissipation Factor | Not more than the specified value. | | | | | | | | | | | | | | | | | | | | | | | | | | | | | | | | | | | | | | | |
| Appearance | There shall be no leakage of electrolyte. | | | | | | | | | | | | | | | | | | | | | | | | | | | | | | | | | | | | | | | |

| ITEM | | PERFORMANCE | | | | | | | | | | | | | | | | |
|--|--|--|------------------------|------------------------------------|--------------------|--|--|--|-------------------------------------|---|------------------------------------|--|-----------------|------------------------------------|--------------------|------------------------------------|------------|---|
| 11 | Change of temperature test | <p><Condition> Temperature cycle: According to IEC60384-4 No.4.7 methods, capacitor shall be placed in an oven, the condition according as below:</p> <table border="1"> <thead> <tr> <th>Temperature</th> <th>Time</th> </tr> </thead> <tbody> <tr> <td>(1) +20°C</td> <td>3 Minutes</td> </tr> <tr> <td>(2) Rated low temperature (-40°C)(-25°C)</td> <td>30±2 Minutes</td> </tr> <tr> <td>(3) Rated high temperature (+105°C)</td> <td>30±2 Minutes</td> </tr> <tr> <td colspan="2">(1) to (3) =1 cycle, total 5 cycle</td> </tr> </tbody> </table> <p><Criteria> The characteristic shall meet the following requirement.</p> <table border="1"> <tbody> <tr> <td>Leakage current</td> <td>Not more than the specified value.</td> </tr> <tr> <td>Dissipation Factor</td> <td>Not more than the specified value.</td> </tr> <tr> <td>Appearance</td> <td>There shall be no leakage of electrolyte.</td> </tr> </tbody> </table> | Temperature | Time | (1) +20°C | 3 Minutes | (2) Rated low temperature (-40°C)(-25°C) | 30±2 Minutes | (3) Rated high temperature (+105°C) | 30±2 Minutes | (1) to (3) =1 cycle, total 5 cycle | | Leakage current | Not more than the specified value. | Dissipation Factor | Not more than the specified value. | Appearance | There shall be no leakage of electrolyte. |
| Temperature | Time | | | | | | | | | | | | | | | | | |
| (1) +20°C | 3 Minutes | | | | | | | | | | | | | | | | | |
| (2) Rated low temperature (-40°C)(-25°C) | 30±2 Minutes | | | | | | | | | | | | | | | | | |
| (3) Rated high temperature (+105°C) | 30±2 Minutes | | | | | | | | | | | | | | | | | |
| (1) to (3) =1 cycle, total 5 cycle | | | | | | | | | | | | | | | | | | |
| Leakage current | Not more than the specified value. | | | | | | | | | | | | | | | | | |
| Dissipation Factor | Not more than the specified value. | | | | | | | | | | | | | | | | | |
| Appearance | There shall be no leakage of electrolyte. | | | | | | | | | | | | | | | | | |
| 12 | Damp heat test | <p><Condition> Humidity test: According to IEC60384-4 No.4.12 methods, capacitor shall be exposed for 500±8 hours in an atmosphere of 90~95%R H .at 40±2°C, the characteristic change shall meet the following requirement.</p> <p><Criteria></p> <table border="1"> <tbody> <tr> <td>Leakage current</td> <td>Not more than the specified value.</td> </tr> <tr> <td>Capacitance Change</td> <td>Within ±10% of initial value.</td> </tr> <tr> <td>Dissipation Factor</td> <td>Not more than 120% of the specified value.</td> </tr> <tr> <td>Appearance</td> <td>There shall be no leakage of electrolyte.</td> </tr> </tbody> </table> | Leakage current | Not more than the specified value. | Capacitance Change | Within ±10% of initial value. | Dissipation Factor | Not more than 120% of the specified value. | Appearance | There shall be no leakage of electrolyte. | | | | | | | | |
| Leakage current | Not more than the specified value. | | | | | | | | | | | | | | | | | |
| Capacitance Change | Within ±10% of initial value. | | | | | | | | | | | | | | | | | |
| Dissipation Factor | Not more than 120% of the specified value. | | | | | | | | | | | | | | | | | |
| Appearance | There shall be no leakage of electrolyte. | | | | | | | | | | | | | | | | | |
| 13 | Solderability test | <p><Condition> The capacitor shall be tested under the following conditions: Soldering temperature : 245 ±5°C Dipping depth : 2mm Dipping speed : 25±2.5mm/s Dipping time : 3±0.5s</p> <p><Criteria></p> <table border="1"> <tbody> <tr> <td>Soldering wetting time</td> <td>Less than 3s</td> </tr> <tr> <td>Coating quality</td> <td>A minimum of 95% of the surface being immersed</td> </tr> </tbody> </table> | Soldering wetting time | Less than 3s | Coating quality | A minimum of 95% of the surface being immersed | | | | | | | | | | | | |
| Soldering wetting time | Less than 3s | | | | | | | | | | | | | | | | | |
| Coating quality | A minimum of 95% of the surface being immersed | | | | | | | | | | | | | | | | | |

| ITEM | PERFORMANCE | | | | | | | | |
|--------------------|---|--------------------|--|--------------------|---|--------------------|------------------------------------|------------|---|
| 14 | <p style="margin: 0;"><Condition> The following conditions shall be applied for 2 hours in each 3 mutually perpendicular directions. Vibration frequency range : 10Hz ~ 55Hz each to peak amplitude : 1.5mm Sweep rate : 10Hz ~ 55Hz ~ 10Hz in about 1 minute Mounting method: The capacitor with diameter greater than 12.5mm or longer than 25mm must be fixed in place with a bracket.</p> <div style="text-align: center; margin: 10px 0;">  </div> <p style="margin: 0;"><Criteria> After the test, the following items shall be tested:</p> <table border="1" style="width: 100%; border-collapse: collapse; margin: 5px 0;"> <tr> <td style="width: 30%; text-align: center;">Inner construction</td> <td>No intermittent contacts, open or short circuiting. No damage of tab terminals or electrodes.</td> </tr> <tr> <td style="text-align: center;">Appearance</td> <td>No mechanical damage in terminal. No leakage of electrolyte or swelling of the case. The markings shall be legible.</td> </tr> </table> | Inner construction | No intermittent contacts, open or short circuiting. No damage of tab terminals or electrodes. | Appearance | No mechanical damage in terminal. No leakage of electrolyte or swelling of the case. The markings shall be legible. | | | | |
| Inner construction | No intermittent contacts, open or short circuiting. No damage of tab terminals or electrodes. | | | | | | | | |
| Appearance | No mechanical damage in terminal. No leakage of electrolyte or swelling of the case. The markings shall be legible. | | | | | | | | |
| 15 | <p style="margin: 0;"><Condition> Terminals of the capacitor shall be immersed into solder bath at $260 \pm 5^\circ\text{C}$ for 10 ± 1 seconds or $400 \pm 10^\circ\text{C}$ for 3^{-0} seconds to 1.5~2.0 mm from the body of capacitor. Then the capacitor shall be left under the normal temperature and normal humidity for 1~2 hours before measurement.</p> <p style="margin: 0;"><Criteria></p> <table border="1" style="width: 100%; border-collapse: collapse; margin: 5px 0;"> <tr> <td style="width: 30%;">Leakage current</td> <td>Not more than the specified value.</td> </tr> <tr> <td>Capacitance Change</td> <td>Within $\pm 5\%$ of initial value.</td> </tr> <tr> <td>Dissipation Factor</td> <td>Not more than the specified value.</td> </tr> <tr> <td>Appearance</td> <td>There shall be no leakage of electrolyte.</td> </tr> </table> | Leakage current | Not more than the specified value. | Capacitance Change | Within $\pm 5\%$ of initial value. | Dissipation Factor | Not more than the specified value. | Appearance | There shall be no leakage of electrolyte. |
| Leakage current | Not more than the specified value. | | | | | | | | |
| Capacitance Change | Within $\pm 5\%$ of initial value. | | | | | | | | |
| Dissipation Factor | Not more than the specified value. | | | | | | | | |
| Appearance | There shall be no leakage of electrolyte. | | | | | | | | |
| 16 | <p style="margin: 0;"><Condition> The following test only apply to those products with vent products at diameter $\geq \phi 6.3$ with vent. D.C. test The capacitor is connected with its polarity reversed to a DC power source. Then a current selected from Table 2 is applied.</p> <p style="margin: 0;"><Table 2></p> <table border="1" style="width: 100%; border-collapse: collapse; margin: 5px 0;"> <tr> <td style="width: 30%;">Diameter (mm)</td> <td>DC Current (A)</td> </tr> <tr> <td style="text-align: center;">22.4 or less</td> <td style="text-align: center;">1</td> </tr> </table> <p style="margin: 0;"><Criteria> The vent shall operate with no dangerous conditions such as flames or dispersion of pieces of the capacitor and/or case.</p> | Diameter (mm) | DC Current (A) | 22.4 or less | 1 | | | | |
| Diameter (mm) | DC Current (A) | | | | | | | | |
| 22.4 or less | 1 | | | | | | | | |

8、 Packing Information

Packing Label Marked (the following items shall be marked on the label)

(Inside box or bag)

(1) Client order number (2) Client part number (3) Beryl part number (4) Capacitance (5) Voltage (6) Dimension (7) Packaging quantity (8) Capacitance tolerance (9) QC Marking (10) Lot number (11) Series

LOT Number :

12 34 56 78910



1) Bulk Packing:



2) Taped Packing:



3) Outer box



外箱

4) Outer box label:

| | | | |
|---|-----|----------------|---|
| BERYL Zhao Qing Beryl Electronic Technology Co., Ltd. | | | |
| C.S.R: | | RoHS HF | |
| C.S.R P/O: | | | |
| C.S.R P/N: | | | |
| S.P.R P/N: | | QC | |
| SPEC: | | | |
| QTY: | PCS | TOL: | % |
| L/N: | | S.P.R: | |

9、 Prohibition to Use Environment- related Substances

We are hereby to certify the followings:

Our company hereby warrants and guarantees that all or part of products, including, but not limited to, the peripherals, accessories or package, delivered to your company (including your subsidiaries and affiliated companies) directly or indirectly by our company are free from any of the substances listed below.

The latest version of <Substances Prohibited as per RoHS or <Sony-SS-00259>

| | |
|---|--------------------------------------|
| Accord with heavy metal | Cadmium and cadmium compounds |
| | Lead and lead compounds |
| | Mercury and mercury compounds |
| | Hexavalent chromium compounds |
| Organic chlorine compounds | Polychlorinated biphenyls (PCB) |
| | Polychlorinated naphthalenes (PCN) |
| | Polychlorinated terphenyls (PCT) |
| | Chlorinated paraffins (CP) |
| | Other chlorinated organic compounds |
| Organic bromine compounds | Polybrominated biphenyls (PBB) |
| | Polybrominated diphenylethers (PBDE) |
| | Other brominated organic compounds |
| Tributyltin compounds | |
| Triphenyltin compounds | |
| Asbestos | |
| Specific azo compounds | |
| Formaldehyde | |
| Polyvinyl chloride (PVC) and PVC blends | |
| F、 Cl、 Br、 I | |
| REACH | |

X-ON Electronics

Largest Supplier of Electrical and Electronic Components

Click to view similar products for [Aluminium Electrolytic Capacitors - Radial Leaded](#) category:

Click to view products by [BERYL](#) manufacturer:

Other Similar products are found below :

[LXY50VB4.7M-5X11](#) [RFO-100V471MJ7P#](#) [ECE-A1EGE220](#) [B41041A7226M8](#) [B41044A7157M6](#) [NCD681K10KVY5PF](#)
[NEV1000M25EF-BULK](#) [NEV100M35DC](#) [NEV100M63DE](#) [NEV220M25DD-BULK](#) [NEV.33M100AA](#) [NEV4700M50HB](#) [NEV.47M100AA](#)
[NEVH1.0M250AB](#) [NEVH3.3M250BB](#) [NEVH3.3M450CC](#) [KME50VB100M-8X11.5](#) [SG220M1CSA-0407](#) [ES5107M016AE1DA](#)
[ESMG160ETD102MJ16S](#) [ESX472M16B](#) [227RZS050M](#) [476CKH100MSA](#) [477RZS050M](#) [B41793A9108Q1](#) [UVX1V101KPA1FA](#)
[UVX1V222MHA1CA](#) [KME25VB100M-6.3X11](#) [VTL100S10](#) [VTL470S10](#) [VTL470S16A](#) [511D336M250EK5D](#) [052687X](#) [ECE-A1CF471](#)
[NRE-S560M16V6.3X7TBSTF](#) [RGA221M1CTA-0611G](#) [ERZA630VHN182UP54N](#) [UPL1A331MPH](#) [NEV1000M6.3DE](#) [NEV100M16CB](#)
[NEV100M50DD-BULK](#) [NEV2200M16FF](#) [NEV220M50EE](#) [NEV2.2M50AA](#) [NEV330M63EF](#) [NEV4700M35HI](#) [NEV4.7M100BA](#)
[NEV47M16BA](#) [NEV47M50CB-BULK](#) [NEVH1.0M350AB](#)