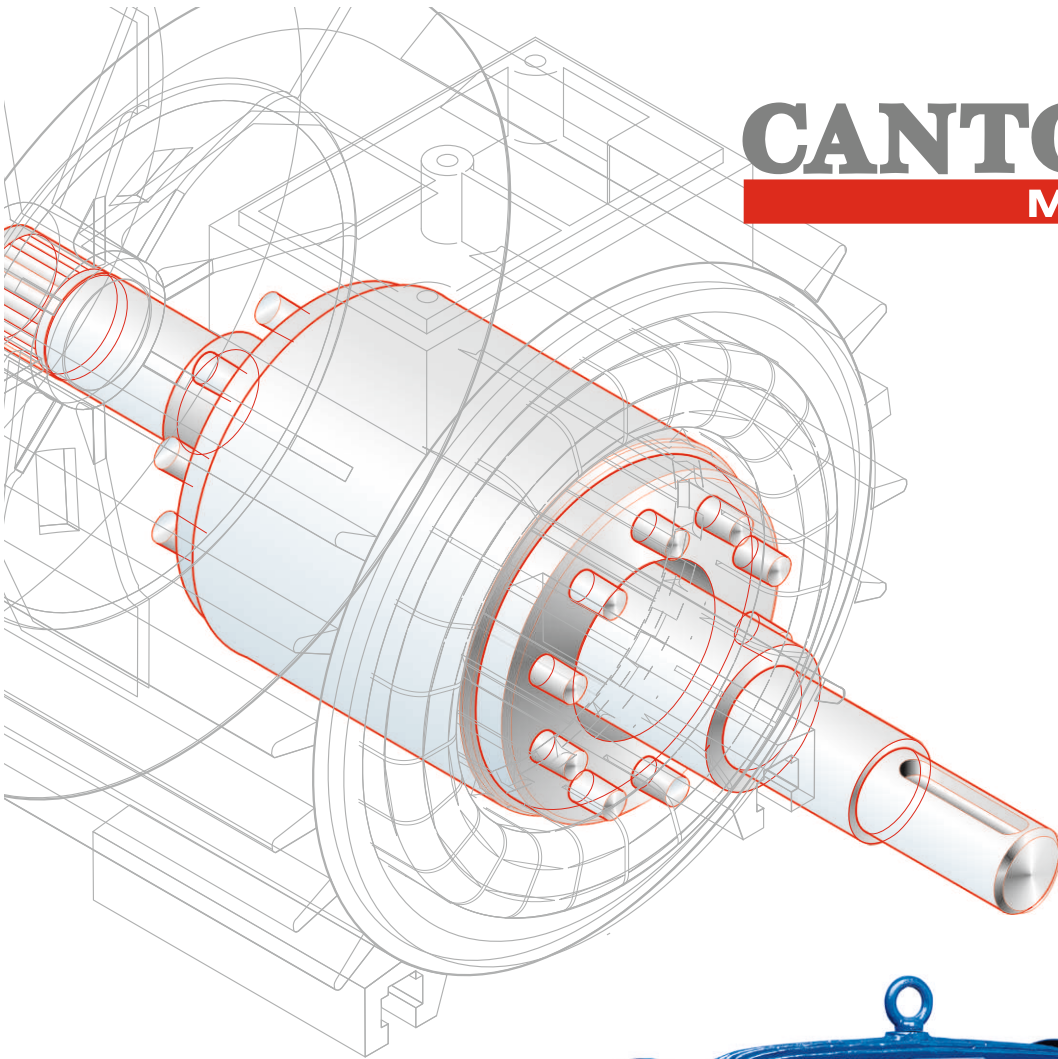
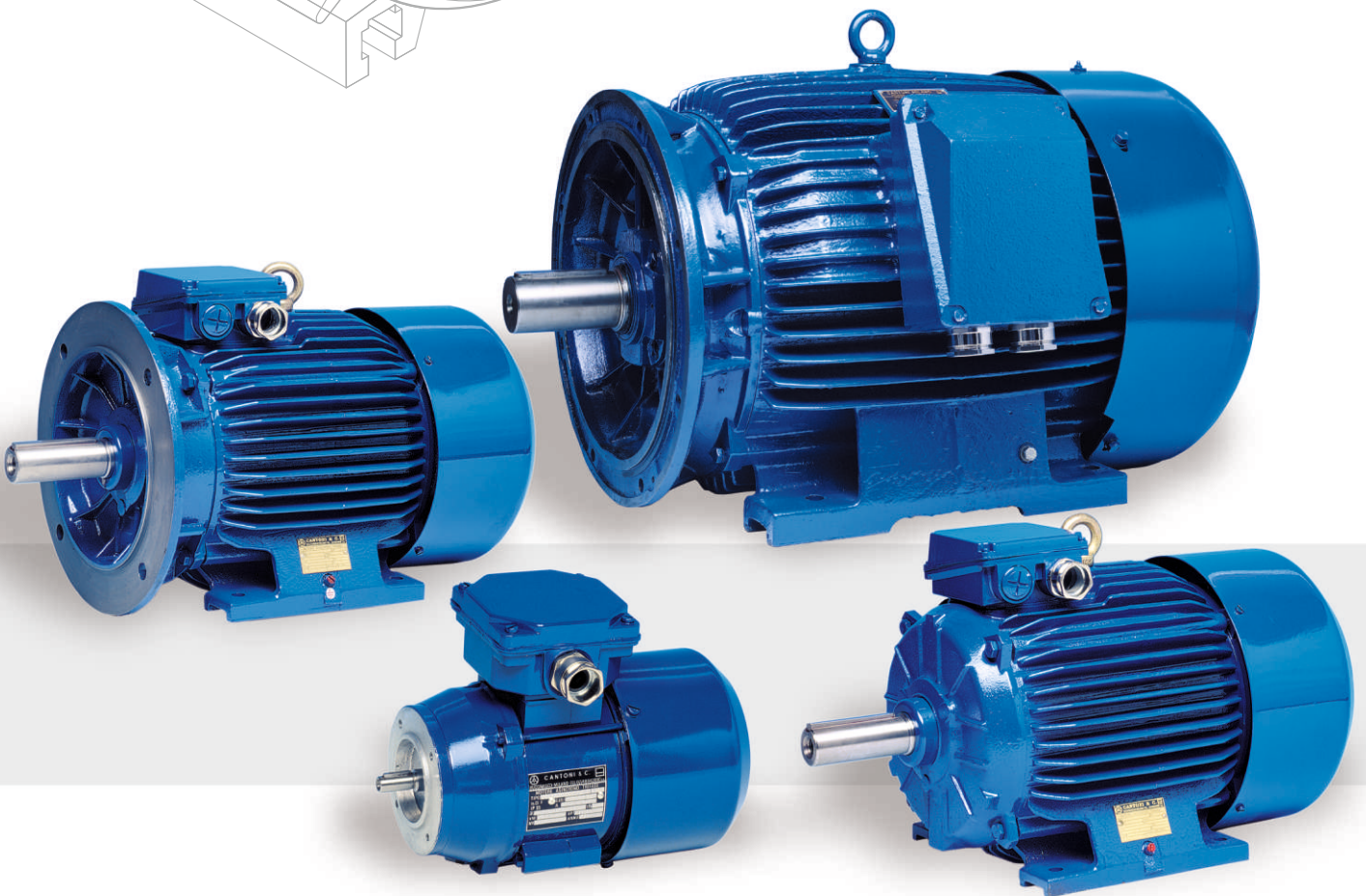


**CANTONI**  
**MOTOR**



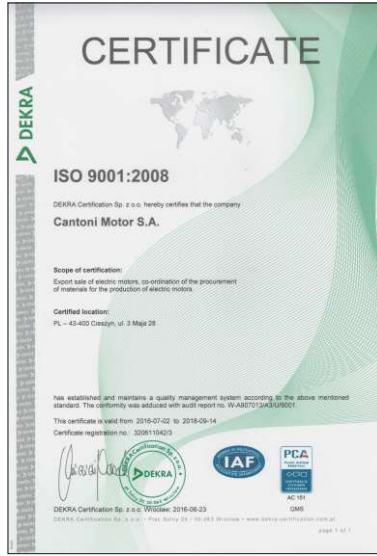
**General  
Purpose  
3-Phase  
Induction  
Motors**



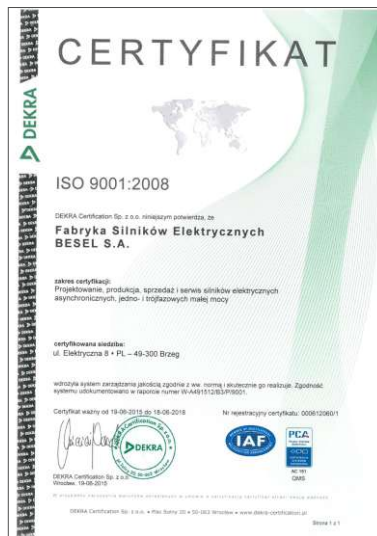
**Product Catalogue**

Certificates

**Cantoni Motor SA**  
 ISO 9001  
 Since September 30, 1999



**Besel SA**  
 ISO 9001  
 Since July 21, 1995



**Celma Indukta SA**  
 ISO 9001  
 Since April 1, 1993

ISO 14001  
 Since November 15, 1999



**Emit SA**  
 ISO 9001:2008  
 ISO 14001:2004  
 Since January 23, 2012





**Cantoni**®  
GROUP



since 1950



**CELMA**  
**indukta**

since 1920

since 1878



since 1921



Contents

**General information**

**pages 5-12**

*Description of the catalogue version*

*Description of the customised version*

*Ratings-tolerances*

*Standards and equivalents*

*Degree of protection*

*Insulation classification*

*Mounting arrangements*

*Motor feet*

*Terminal box*

*Vibration and acoustic level*

*Housing, endshields*

*Permissible loading on the shaft end*

*Bearings*

*Cooling system*

*Ordering information*

**Data tables**

**pages 13-17**

**Dimension drawings**

**pages 18-28**

**List of motor parts**

**pages 29-32**

**Production program**

**pages 34-35**



## DESCRIPTION OF THE CATALOGUE VERSION

|                            |                                 |
|----------------------------|---------------------------------|
| Duty:                      | S1                              |
| Rated voltage:             | 380V, 400V, 690V ( $\Delta/Y$ ) |
| Frequency:                 | 50 Hz                           |
| Ambient temperature:       | + 40°C                          |
| Mounting height:           | up to 1000 m above sea level    |
| Number of free shaft ends: | 1                               |
| Insulation class:          | F                               |
| Bearings:                  | according to page 12            |

Other specifications dependent on the frame size:

| Frame size | Degree of protection | Position of the terminal box | Number of terminals | Number of cable outlets | Optional rotation of the terminal box | Glands       | Temperature sensors in winding | Bearing lubrication system | Thermal protection of bearings |
|------------|----------------------|------------------------------|---------------------|-------------------------|---------------------------------------|--------------|--------------------------------|----------------------------|--------------------------------|
| Sh 56      | IP 55                | top                          | 6                   | 1                       | 180°                                  | M 20         | on request                     | no                         | no                             |
| Sh 63      | IP 55                | top                          | 6                   | 1                       | 180°                                  | M 20         | on request                     | no                         | no                             |
| Sh 71      | IP 55                | top                          | 6                   | 1                       | 180°                                  | M 20         | on request                     | no                         | no                             |
| Sh 80      | IP 55                | top                          | 6                   | 1                       | 180°                                  | M 20         | on request                     | no                         | no                             |
| Sh 90      | IP 55                | top                          | 6                   | 2                       | 180°                                  | M 20         | on request                     | no                         | no                             |
| Sg 100     | IP 55                | top                          | 6                   | 2                       | 180°                                  | M 20         | on request                     | no                         | no                             |
| Sg 112     | IP 55                | top                          | 6                   | 2                       | 180°                                  | M 25         | on request                     | no                         | no                             |
| Sg 132     | IP 55                | top                          | 6                   | 2                       | 180°                                  | M 25         | on request                     | no                         | no                             |
| Sg 160     | IP 55                | top                          | 6                   | 2                       | 180°                                  | M 40         | on request                     | on request                 | on request                     |
| Sg 180     | IP 55                | top                          | 6                   | 2                       | 180°                                  | M 40         | on request                     | on request                 | on request                     |
| 2Sg 200    | IP 55                | right                        | 6                   | 2+1                     | 4 × 90°                               | M 50         | PTC                            | yes                        | on request                     |
| 2Sg 225    | IP 55                | right                        | 6                   | 2+1                     | 4 × 90°                               | M 50         | PTC                            | yes                        | on request                     |
| 2Sg 250    | IP 55                | right                        | 6                   | 2+1                     | 4 × 90°                               | M 63         | PTC                            | yes                        | on request                     |
| 2Sg 280    | IP 55                | right                        | 6                   | 2+1                     | 4 × 90°                               | M 63         | PTC                            | yes                        | on request                     |
| 2Sg 315    | IP 55                | right                        | 6                   | 2+1                     | 4 × 90°                               | M 76         | PTC                            | yes                        | on request                     |
| SEE 315    | IP 55                | top                          | 6                   | 2                       | 4 × 90°                               | M 76         | PTC                            | yes                        | on request                     |
| Sg 355     | IP 55                | right                        | 6                   | 2                       | 4 × 90°                               | M 76         | PTC Mark A                     | yes                        | on request                     |
| SEE 355    | IP 55                | top                          | 6                   | 2                       | 4 × 90°                               | M 76         | PTC Mark A                     | yes                        | on request                     |
| Sh 355     | IP 55                | top                          | 6                   | 2                       | 4 × 90°                               | M 76         | Pt 100                         | yes                        | Pt 100                         |
| Sh 400     | IP 55                | top                          | 3 (bars)            | 3                       | 180°                                  | 3× $\phi$ 55 | Pt 100                         | yes                        | Pt 100                         |
| Sh 450     | IP 55                | top                          | 3 (bars)            | 3                       | 180°                                  | 3× $\phi$ 55 | Pt 100                         | yes                        | Pt 100                         |
| Sh 500     | IP 55                | top                          | 3 (bars)            | 3                       | 180°                                  | 3× $\phi$ 55 | Pt 100                         | yes                        | Pt 100                         |

**We are able to supply almost any motor made according to customer's specifications**

## DESCRIPTION OF THE CUSTOMISED VERSION

|  |       |
|--|-------|
| Different supply voltage                         |       |
| Frequency:                                       | 60 Hz |
| Degree of protection:                            | IP 56 |
| Insulation class:                                | H     |
| Number of free shaft ends:                       | 2     |
| Tropicalization                                  |       |
| Different bearings                               |       |
| Different duty type                              |       |
| Adaptation for supply from a frequency inverter  |       |
| Different versions per customer's specifications |       |

**As part of our development program, we reserve the right to alter or amend any of the specifications without giving prior notice**

**RATINGS - TOLERANCES**

**STANDARDS**

The electric motors are manufactured according to the international standards:

|   |               |
|---|---------------|
| Rating and performance                            | IEC 60034-1   |
| Methods for determining losses and efficiency     | IEC 60034-2-1 |
| Classification of degrees of protection           | IEC 60034-5   |
| Methods of cooling                                | IEC 60034-6   |
| Symbols of construction and mounting arrangements | IEC 60034-7   |
| Terminal markings and direction of rotation       | IEC 60034-8   |
| Noise limits                                      | IEC 60034-9   |
| Dimensions and output of electric machines        | IEC 60072-1   |
| Vibration limits                                  | IEC 60034-14  |

***All the motors are manufactured in  
Quality Assurance System consistent with  
ISO 9001.***

**ISO9001**


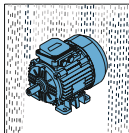
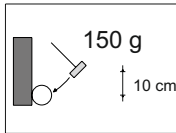

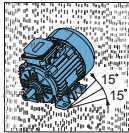
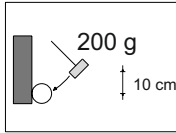
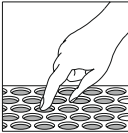
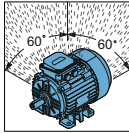
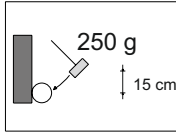
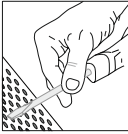
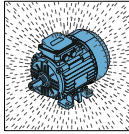
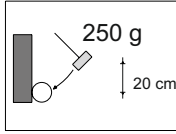
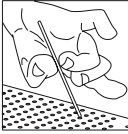
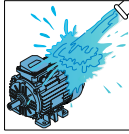
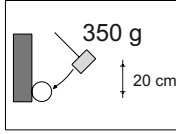
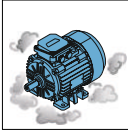

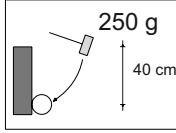
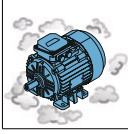
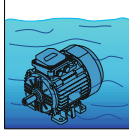
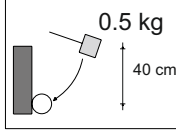
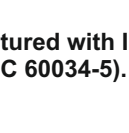
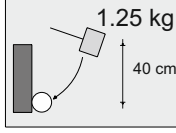
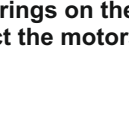
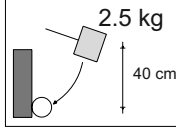
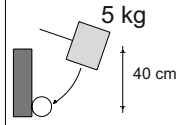
***The motors covered by the present catalogue comply with  
the regulations and standards effective in other countries,  
consistent with IEC standards.***

**IEC**

INTERNATIONAL PROTECTION IP

According to the IEC 60034-5 standard the electric motors are provided with IP code which determines the degree of protection (ensured by the housing) against penetration of solid matter and fluids.

IP55

| PROTECTION AGAINST PENETRATION OF SOLID MATTER |   | PROTECTION AGAINST PENETRATION OF FLUIDS |   | MECHANICAL PROTECTION |  |   |   |
|--|---|--|---|-----------------------|--|---|---|
| 1st digit                                      | DESCRIPTION   | 2nd digit                                | DESCRIPTION   | 3rd digit             | DESCRIPTION  |   |   |
|  |   |  |   | <b>0</b>              | No protection  |   |   |
| <b>0</b>                                       |  Not protected                                       | <b>0</b>                                 |  Not protected   | <b>1</b>              |  Striking energy: 0.15 J                                      |   |   |
|  |  Protected against solid bodies larger than 50 mm    |  | <b>1</b>  |                       |  Protected against vertically falling drops of water            | <b>2</b>  |  Striking energy: 0.20 J   |
|  |  Protected against solid bodies larger than 12 mm   |  | <b>2</b>  |                       |  Protected against vertically falling drops of water up to 15° | <b>3</b>  |  Striking energy: 0.37 J  |
|  |  Protected against solid bodies larger than 2.5 mm |  | <b>3</b>  |                       |  Protected against rain up to 60°                             | <b>4</b>  |  Striking energy: 0.50 J |
|  |  Protected against solid bodies larger than 1 mm   |  | <b>4</b>  |                       |  Protected against rain falling from any direction            | <b>5</b>  |  Striking energy: 0.70 J |
|  |  Protected against deposition of dust              |  | <b>5</b>  |                       |  Protected against sprayed water from any direction           | <b>6</b>  |  Striking energy: 1 J    |
|  |  Totally protected against deposition of dust      |  | <b>6</b>  |                       |  Protected against temporary immersion                        | <b>7</b>  |  Striking energy: 2 J    |
|  |   | <b>7</b>                                 |  Protected against immersion between 0.15 and 1 m        |                       | <b>8</b>   |  Striking energy: 5 J  |   |
|  |   | <b>8</b>                                 |  Protected against immersion at preset pressure and time |                       | <b>9</b>   |  Striking energy: 10 J |   |
|  |   |  |   |                       | <b>10</b>  |  Striking energy: 20 J |   |

All Cantoni Group standard motors are manufactured with IP 55 degree of protection according to the standard in force (IEC 60034-5). The following table lists its characteristics.

Each size 80 to 180 motor is equipped with seal rings on the control side and on the opposite side. Labyrinth seals protect the motors from size 200 and above.

The terminal board box is sealed with a gasket.

**Motors with a higher degree of protection are available on request.**

## INSULATION CLASSIFICATION

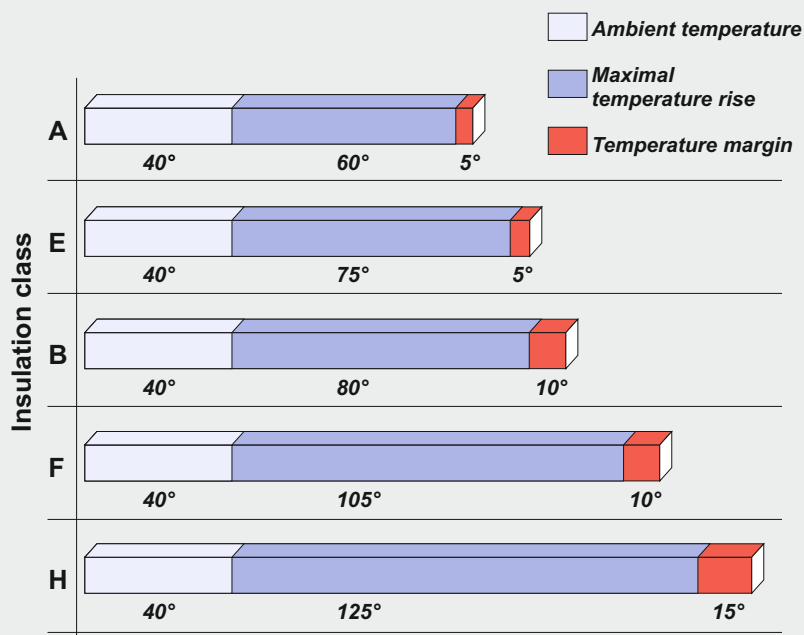
The insulation system of an electric motor is determined by a given insulation class on the basis of its thermal resistance.  
This thermal resistance should be guaranteed by the entire set of electric insulating materials used in the motor insulating system.

Thermal resistance classification is related to the temperature of the hotspot in the insulation occurring during rated operating conditions of the electric motor, allowing for the highest permissible rise in average temperature.

This rise should be selected so that at the highest permissible ambient temperature, the temperature of the hotspot in insulation will not exceed the value assigned to a given thermal resistance class.

**Symbols of thermal resistance classes (permissible insulation temperatures for ambient temperature of 40°C)**

| Symbol | Temperature [°C] |
|--------|------------------|
| A      | 105              |
| E      | 120              |
| B      | 130              |
| F      | 155              |
| H      | 180              |



*Insulation class F for an electric motor means that at ambient temperature of 40°C the temperature rise of its windings may be max. 105°C with the additional temperature margin of 10°C (under specified measuring conditions in accordance with the IEC 60034-1 standard).*

# Class F

*The motors made by Cantoni Motor in their basic version have the insulation class F while the temperature rise is for class B. It means longer life of motors.*

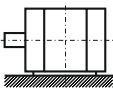
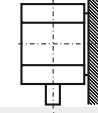
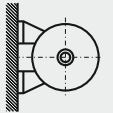
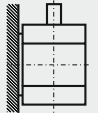
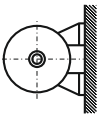
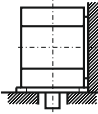
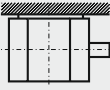
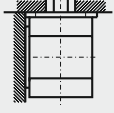
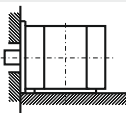
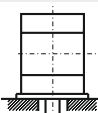
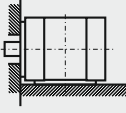
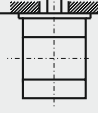
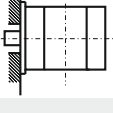
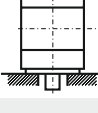
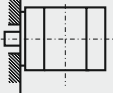
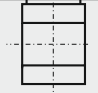
*On customer's demand, we make motors with insulation class H.*

*Strengthened insulation system makes it possible to supply our motors from frequency inverters.*



## MOUNTING ARRANGEMENTS

According to the IEC 60034-7 standard

|   | Horizontal shaft |        |  | Vertical shaft  |                       |            |  |
|---|------------------|--------|--|---|-----------------------|------------|--|
|   | Designation      |        | Frame size   | Designation   |                       | Frame size |  |
|   | Code II          | Code I |  |   | Code II               |            | Code I   |
|    | IM 1001          | IM B3  | 56 ÷ 500   |    | IM 1011               | IM V5      | 56 ÷ 315<br>except Sg 315 M6C<br>except Sg 315 M8C   |
|    | IM 1051          | IM B6  | 56 ÷ 280   |    | IM 1031               | IM V6      | 56 ÷ 315<br>except Sg 315 M6C<br>except Sg 315 M8C   |
|    | IM 1061          | IM B7  | 56 ÷ 280   |    | IM 2011<br>or IM 2111 | IM V15     | 56 ÷ 315<br>except SLg 315 M6C<br>except SLg 315 M8C                                       |
|    | IM 1071          | IM B8  | 56 ÷ 280   |    | IM 2031<br>or IM 2131 | IM V36     | 56 ÷ 315<br>except SLg 315 M6C<br>except SLg 315 M8C                                       |
|   | IM 2001          | IM B35 | 56 ÷ 500   |   | IM 3011               | IM V1      | 56 ÷ 500<br>except SVEE 355 (2-pole)<br>except SVh 355 (2-pole)<br>except SVh 400 (2-pole) |
|  | IM 2101          | IM B34 | 56 ÷ 132   |  | IM 3031               | IM V3      | 56 ÷ 280   |
|  | IM 3001          | IM B5  | 56 ÷ 315<br>except SKg 315 M6C<br>except SKg 315 M8C |  | IM 3611               | IM V18     | 56 ÷ 180   |
|  | IM 3601          | IM B14 | 56 ÷ 132   |  | IM 3631               | IM V19     | 56 ÷ 180   |

### MOTOR FEET

Motors of frame size  $\leq 112$  have screwed feet.

Motors of frame size 132 have screwed feet or integrated with the motor housing.

Motors of frame size  $\geq 160$  have feet integrated with the motor housing.

### TERMINAL BOX

Terminal boxes of low voltage motors have threaded inlet holes designed for mounting cable glands. The box contains terminal board with marked terminals making possible connection of supply cables.

In addition, terminal boxes may be provided with additional terminals connected to the ends of thermal protection or anticondensation heater circuits and extra glands to connect these circuits.

Low voltage high-power motors contain terminal boxes with cable gland seals and cable clamps to prevent their removal. Inside the boxes there are special clamps used to ground the supply cable armouring.

In low voltage motors of very high power three supply busbar are used.

Box covers of low voltage high-power motors are made in form of antiimplosion membranes.

The circuits of thermal protection and anticondensation heaters are connected to separate terminal boxes.



**HOUSING, END SHIELDS, FEET**

| Frame size [mm] | Motor housing | End shields | Feet                   |
|-----------------|---------------|-------------|------------------------|
| 56              | Aluminium     | Aluminium   | Aluminium - screwed    |
| 63              | Aluminium     | Aluminium   | Aluminium - screwed    |
| 71              | Aluminium     | Aluminium   | Aluminium - screwed    |
| 80              | Aluminium     | Aluminium   | Aluminium - screwed    |
| 90              | Aluminium     | Aluminium   | Aluminium - screwed    |
| 100             | Aluminium     | Aluminium   | Aluminium - screwed    |
| 112             | Aluminium     | Cast iron   | Aluminium - screwed    |
| 132             | Cast iron     | Cast iron   | Cast iron - screwed    |
| 160             | Cast iron     | Cast iron   | Cast iron - integrated |
| 180             | Cast iron     | Cast iron   | Cast iron - integrated |
| 200             | Cast iron     | Cast iron   | Cast iron - integrated |
| 225             | Cast iron     | Cast iron   | Cast iron - integrated |
| 250             | Cast iron     | Cast iron   | Cast iron - integrated |
| 280             | Cast iron     | Cast iron   | Cast iron - integrated |
| 315             | Cast iron     | Cast iron   | Cast iron - integrated |
| 355             | Cast iron     | Cast iron   | Cast iron - integrated |
| 400             | Cast iron     | Cast iron   | Cast iron - integrated |
| 450             | Cast iron     | Cast iron   | Cast iron - integrated |
| 500             | Cast iron     | Cast iron   | Cast iron - integrated |

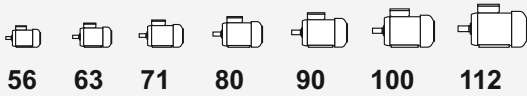
In motors of frame size 80, 90 and 100: on request end shields may be made of cast iron.

In motors of frame size 132: feet may be integrated with housing.

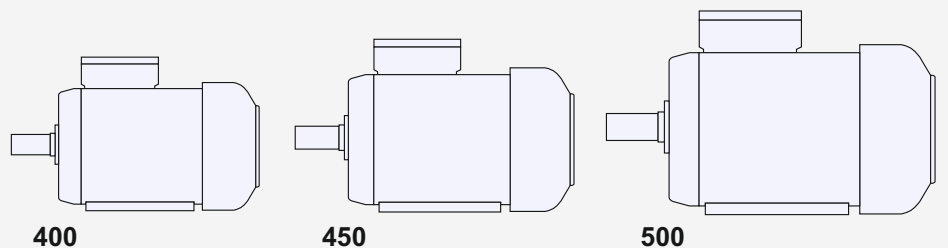
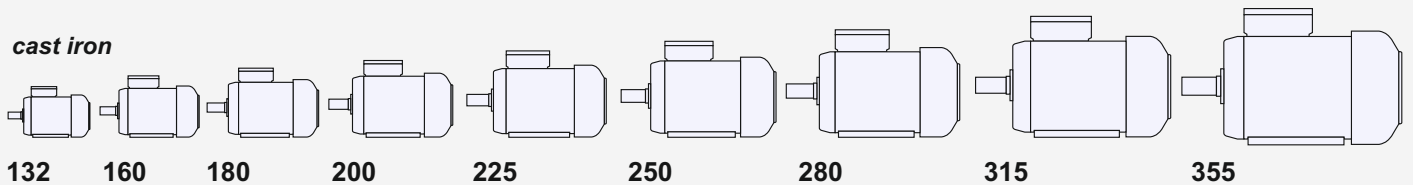
**Motor housing**

 aluminium  cast iron

*aluminium*



*cast iron*



PERMISSIBLE LOADING ON THE SHAFT END

| Frame size | Number of poles | Horizontal operation |               | Vertical operation |          |          | Frame size | Number of poles                                | Horizontal operation |               | Vertical operation |          |          |
|------------|-----------------|----------------------|---------------|--------------------|----------|----------|------------|--|----------------------|---------------|--------------------|----------|----------|
|            |                 |                      |               |                    |          |          |            |  |                      |               |                    |          |          |
|            |                 | $F_R(x=0)$           | $F_R(x=\max)$ | $F_p$              | $F_{a1}$ | $F_{a2}$ |            |  | $F_R(x=0)$           | $F_R(x=\max)$ | $F_p$              | $F_{a1}$ | $F_{a2}$ |
|            |                 | [kN]                 |               | [kN]               |          |          |            |  | [kN]                 |               | [kN]               |          |          |
| Sh 56      | 2               | 0,20                 | 0,16          | 0,04               | 0,03     | 0,05     | 2Sg 200 LB | 6  | 4,50                 | 3,70          | 3,70               | 2,90     | 4,60     |
| Sh 56      | 4               | 0,25                 | 0,20          | 0,05               | 0,04     | 0,06     | 2Sg 200 L  | 8  | 5,10                 | 4,20          | 4,10               | 3,40     | 5,00     |
| Sh 63      | 2               | 0,20                 | 0,16          | 0,04               | 0,04     | 0,06     | 2Sg 225 S  | 4  | 4,50                 | 3,60          | 3,70               | 3,00     | 4,60     |
| Sh 63      | 4               | 0,25                 | 0,20          | 0,06               | 0,05     | 0,07     | 2Sg 225 S  | 8  | 5,90                 | 4,70          | 4,70               | 3,90     | 5,70     |
| Sh 63      | 6               | 0,27                 | 0,22          | 0,06               | 0,05     | 0,07     | 2Sg 225 M  | 2  | 3,50                 | 2,90          | 2,60               | 2,00     | 3,40     |
| Sh 71      | 2               | 0,29                 | 0,24          | 0,07               | 0,05     | 0,09     | 2Sg 225 M  | 4  | 4,30                 | 3,40          | 3,60               | 2,80     | 4,70     |
| Sh 71      | 4               | 0,36                 | 0,30          | 0,09               | 0,07     | 0,11     | 2Sg 225 M  | 6  | 5,00                 | 4,00          | 4,10               | 3,20     | 5,40     |
| Sh 71      | 6               | 0,40                 | 0,35          | 0,10               | 0,08     | 0,12     | 2Sg 225 M  | 8  | 5,70                 | 4,60          | 4,60               | 3,70     | 5,80     |
| Sh 71      | 8               | 0,40                 | 0,35          | 0,11               | 0,09     | 0,13     | 2Sg 250 M  | 2  | 4,30                 | 3,60          | 3,20               | 2,40     | 4,20     |
| Sh 80      | 2               | 0,33                 | 0,27          | 0,09               | 0,06     | 0,12     | 2Sg 250 M  | 4  | 5,40                 | 4,40          | 4,40               | 3,40     | 5,80     |
| Sh 80      | 4               | 0,44                 | 0,37          | 0,12               | 0,09     | 0,15     | 2Sg 250 M  | 6  | 6,10                 | 5,00          | 5,00               | 3,80     | 6,70     |
| Sh 80      | 6               | 0,51                 | 0,42          | 0,14               | 0,11     | 0,17     | 2Sg 250 M  | 8  | 6,90                 | 5,60          | 5,60               | 4,30     | 7,20     |
| Sh 80      | 8               | 0,51                 | 0,42          | 0,17               | 0,15     | 0,20     | 2Sg 280 S  | 2  | 4,00                 | 3,30          | 3,10               | 1,90     | 4,50     |
| Sh 90      | 2               | 0,58                 | 0,44          | 0,53               | 0,30     | 0,40     | 2Sg 280 S  | 4  | 6,10                 | 5,10          | 5,10               | 3,70     | 7,00     |
| Sh 90      | 4               | 0,64                 | 0,52          | 0,60               | 0,30     | 0,40     | 2Sg 280 S  | 6  | 7,50                 | 6,20          | 6,00               | 4,70     | 7,70     |
| Sh 90      | 6               | 0,74                 | 0,68          | 0,73               | 0,30     | 0,40     | 2Sg 280 S  | 8  | 8,30                 | 6,90          | 6,60               | 5,20     | 8,50     |
| Sh 90      | 8               | 0,82                 | 0,74          | 0,80               | 0,30     | 0,40     | 2Sg 280 M  | 2  | 3,90                 | 3,20          | 3,00               | 1,80     | 4,60     |
| Sg 100     | 2               | 0,78                 | 0,56          | 0,70               | 0,25     | 0,40     | 2Sg 280 M  | 4  | 5,90                 | 4,90          | 5,00               | 3,50     | 7,10     |
| Sg 100     | 4               | 0,81                 | 0,79          | 0,83               | 0,25     | 0,40     | 2Sg 280 M  | 6  | 7,30                 | 6,10          | 5,90               | 4,50     | 7,90     |
| Sg 100     | 6               | 0,98                 | 0,92          | 0,98               | 0,25     | 0,40     | 2Sg 280 M  | 8  | 8,00                 | 6,60          | 6,50               | 4,90     | 8,60     |
| Sg 100     | 8               | 1,12                 | 1,04          | 1,11               | 0,25     | 0,40     | 2Sg 315 S  | 2  | 3,70                 | 3,20          | 3,00               | 1,60     | 4,80     |
| Sg 112     | 2               | 0,70                 | 0,56          | 0,67               | 0,25     | 0,40     | 2Sg 315 S  | 4  | 6,40                 | 5,30          | 4,90               | 3,10     | 7,30     |
| Sg 112     | 4               | 0,81                 | 0,71          | 0,79               | 0,25     | 0,40     | 2Sg 315 S  | 6  | 7,40                 | 6,20          | 6,30               | 4,30     | 8,90     |
| Sg 112     | 6               | 0,92                 | 0,84          | 0,92               | 0,25     | 0,40     | 2Sg 315 S  | 8  | 8,40                 | 7,00          | 7,00               | 5,00     | 9,60     |
| Sg 112     | 8               | 1,05                 | 0,97          | 1,05               | 0,25     | 0,40     | 2Sg 315 MA | 2  | 3,60                 | 3,00          | 2,90               | 1,50     | 4,80     |
| Sg 132     | 2               | 1,02                 | 0,94          | 1,04               | 0,17     | 0,57     | 2Sg 315 MB | 2  | 3,30                 | 2,80          | 2,90               | 1,30     | 4,90     |
| Sg 132     | 4               | 1,16                 | 1,04          | 1,16               | 0,17     | 0,57     | 2Sg 315 MA | 4  | 6,20                 | 5,10          | 4,80               | 2,90     | 7,40     |
| Sg 132     | 6               | 1,40                 | 1,22          | 1,37               | 0,17     | 0,57     | 2Sg 315 MB | 4  | 5,90                 | 4,90          | 4,80               | 2,70     | 7,50     |
| Sg 132     | 8               | 1,63                 | 1,39          | 1,57               | 0,17     | 0,57     | 2Sg 315 MA | 6  | 7,20                 | 6,00          | 6,20               | 4,10     | 9,00     |
| Sg 160     | 2               | 1,23                 | 1,09          | 1,22               | 0,82     | 1,07     | 2Sg 315 MB | 6  | 6,80                 | 5,60          | 6,10               | 3,60     | 9,30     |
| Sg 160     | 4               | 1,35                 | 1,13          | 1,32               | 1,00     | 1,39     | 2Sg 315 MA | 8  | 8,20                 | 6,80          | 6,90               | 4,80     | 9,70     |
| Sg 160     | 6               | 1,61                 | 1,37          | 1,58               | 1,26     | 1,62     | 2Sg 315 MB | 8  | 7,70                 | 6,40          | 6,80               | 4,30     | 10,00    |
| Sg 160     | 8               | 1,92                 | 1,50          | 1,80               | 1,47     | 1,80     | SEE 315MC  | 2  | 2,90                 | 2,50          | 2,80               | 1,00     | 5,10     |
| Sg 180     | 2               | 1,90                 | 1,66          | 1,65               | 1,00     | 1,20     | SEE 315MC  | 4  | 7,50                 | 6,30          | 4,70               | 2,60     | 7,40     |
| Sg 180     | 4               | 2,42                 | 1,82          | 1,98               | 1,00     | 1,35     | SEE 315MD  | 6  | 8,30                 | 6,90          | 5,30               | 2,50     | 9,00     |
| Sg 180     | 6               | 2,75                 | 2,07          | 2,15               | 1,60     | 1,95     | SEE 315MD  | 8  | 9,40                 | 7,80          | 5,90               | 3,10     | 9,60     |
| Sg 180     | 8               | 3,30                 | 2,04          | 2,49               | 1,90     | 2,44     | SEE 355    | adaptation to belt drive on customer's request |                      |               |                    |          |          |
| 2Sg 200 LA | 2               | 3,20                 | 2,60          | 2,30               | 1,90     | 2,90     | Sg 355     | adaptation to belt drive on customer's request |                      |               |                    |          |          |
| 2Sg 200 LB | 2               | 3,10                 | 2,50          | 2,30               | 1,80     | 2,90     | Sh 355     | adaptation to belt drive on customer's request |                      |               |                    |          |          |
| 2Sg 200 L  | 4               | 3,90                 | 3,20          | 3,20               | 2,60     | 4,00     | Sh 400     | adaptation to belt drive on customer's request |                      |               |                    |          |          |
| 2Sg 200 LA | 6               | 4,60                 | 3,80          | 3,70               | 3,00     | 4,60     | Sh 450     | adaptation to belt drive on customer's request |                      |               |                    |          |          |
|            |                 |                      |               |                    |          |          | Sh 500     | adaptation to belt drive on customer's request |                      |               |                    |          |          |

Value of radial force  $F_R$  acting on the shaft end for a given belt pulley diameter is calculated according to the following formula:

$$F_R = \frac{19600 \times P \times k}{D_k \times n} \text{ [N]}$$

- where: P - motor output [kW]  
 $D_k$  - belt pulley diameter [m]  
 n - speed [rpm]  
 k - belt tension factor:  
 for V-belts  $k=2,2$   
 for flat belts  $k=3$

Value of force  $F_R$  acting on any point of the shaft end (between points  $X=\max$  and  $X=0$ ) may be calculated according to the following formula:

$$F_R = F_{X0} - \frac{X}{E} \times (F_{X0} - F_{XMAX}) \text{ [N]}$$

- where:  $F_{X0}$  - value of  $F_R$  force acting on the beginning of the shaft end  
 $F_{XMAX}$  - value of  $F_R$  force acting on the end of the shaft end  
 E - length of the shaft end



## BEARINGS

| Frame size | Number of poles | Bearings |
|------------|-----------------|----------|
| Sh 56      | 2 ÷ 6           | 6201 2Z  |
| Sh 63      | 2 ÷ 8           | 6202 2Z  |
| Sh 71      | 2 ÷ 8           | 6203 2Z  |
| Sh 80      | 2 ÷ 8           | 6204 2Z  |
| Sh 90      | 2 ÷ 8           | 6205 2Z  |
| Sg 100     | 2 ÷ 8           | 6206 2Z  |
| Sg 112     | 2 ÷ 8           | 6306 2Z  |
| Sg 132     | 2 ÷ 8           | 6308 2Z  |
| Sg 160     | 2 ÷ 8           | 6309 2Z  |
| Sg 180     | 2 ÷ 8           | 6311 2Z  |
| 2Sg 200    | 2 ÷ 12          | 6312 C3  |
| 2Sg 225    | 2 ÷ 12          | 6313 C3  |
| 2Sg 250    | 2 ÷ 12          | 6315 C3  |
| 2Sg 280    | 2               | 6315 C3  |
| 2Sg 280    | 4 ÷ 12          | 6317 C3  |
| 2Sg 315    | 2               | 6315 C3  |
| 2Sg 315    | 4 ÷ 12          | 6318 C3  |

The bearings in basic version of motors for horizontal duty.

| Frame size | Number of poles | Bearings |                                 |
|------------|-----------------|----------|---------------------------------|
| Sg 315 MC  | DE<br>NDE       | 6 ÷ 8    | NU320 EM1<br>6320 C3            |
| SEE 315    |                 | 2        | 6315 2ZC3                       |
| SEE 315    | DE<br>NDE       | 4 ÷ 8    | 6320 2ZC3<br>6318 2ZC3          |
| Sg 355     | DE<br>NDE       | 4 ÷ 12   | NU322 C3<br>6322 C3             |
| SEE 355    |                 | 2        | 6217 C3                         |
| SEE 355    |                 | 4 ÷ 8    | 6222 C3                         |
| Sh 355     |                 | 2        | 6217 C3                         |
| Sh 355     |                 | 4 ÷ 8    | 6322 C3                         |
| Sh 400     |                 | 2        | 6218 C3                         |
| Sh 400     | DE<br>NDE       | 4 ÷ 8    | 6324 MC3<br>6322 MC3            |
| Sh 450     | DE<br>NDE       | 4 ÷ 10   | 6324 MC3<br>NU222 EM1           |
| Sh 500     | DE<br>NDE       | 4 ÷ 10   | NU226 EM1+ 6226 C3<br>NU226 EM1 |

DE - drive end NDE - non drive end

## COOLING SYSTEM

Standard motors in frame size 56 ÷ 500 are being cooled down by means of a fan installed on the shaft from the non-drive end, covered with steel cover, cooling system IC 411 according to the IEC 60034-6 standard.

The design of fans and fan covers as well as materials used ensure optimum utilization of their aerodynamic and aeroacoustic properties.

Standard motors can operate in both directions of rotation, with the exception of Sh 355, 400, 450, 500 (2 and 4 poles) motors where unidirectional fans are applied.

## ORDERING INFORMATION

Orders for motors should specify:

- motor type designation,
- rated output,
- rated speed,
- operating duty,
- supply voltage and connection,
- frequency,
- mounting arrangements, end shield material,
- degree of protection,
- machine to be driven,
- other details of out-of-catalogue or special version,

and information concerning additional accessories e.g.

- thermal protection,
- anticondensation heaters,
- vibration sensors,
- etc.

When ordering high-power or special purpose motors one should also indicate:

- required direction of rotation,
- required degree of interior protection,
- method of start-up,
- method of coupling with the driven unit (gears, dimensions of belt pulleys, etc.),
- type of driven machine (nature of load), including the moment of inertia J or flywheel effect GD<sup>2</sup> brought to the motor shaft,
- other customer's specifications.

When ordering spare parts one should specify:

- full designation of the motor type including its serial number (provided on the nameplate) or catalogue number,
- degree of protection,
- mounting form,
- name of part,
- number of pieces.

Totally Enclosed Motors IP 55

| Item                                       | Type        | Rated output  |      | Rated speed<br>$n_N$<br>[min <sup>-1</sup> ] | Rated torque<br>$T_N$<br>[Nm] | Efficiency                     |                     |      | Power factor<br>$\cos \varphi_N$<br>[-] | Full load current      |      |       | Locked rotor torque<br>$T_L/T_N$<br>[-] | Locked rotor current<br>$I_L/I_N$<br>[-] | Breakdown torque<br>$T_B/T_N$<br>[-] | Moment of Inertia<br>J<br>[kgm <sup>2</sup> ] | Weight (IMB3)<br>m<br>[kg] |
|--|-------------|---------------|------|--|-------------------------------|--------------------------------|---------------------|------|---|------------------------|------|-------|---|--|--------------------------------------|---|----------------------------|
|  |             | $P_N$<br>[kW] | [HP] |  |                               | $\eta_N$ [%] at % of full load |                     |      |   | $I_N$ at rated voltage |      |       |   |  |                                      |   |                            |
|  |             | 50%           | 75%  | 100%   | [A] <sub>230V</sub>           | [A] <sub>380V</sub>            | [A] <sub>400V</sub> |      |   |                        |      |       |   |  |                                      |   |                            |
| <b>2p=2      <math>n_s=3000</math> rpm</b> |             |               |      |  |                               |                                |                     |      |   |                        |      |       |   |  |                                      |   |                            |
| 1.   | Sh 56-2A    | 0,09          | 0,12 | 2820   | 0,30                          | 45                             | 52                  | 62   | 0,63                                    | 0,60                   | 0,35 | 0,35  | 2,5                                     | 3,4                                      | 2,7                                  | 0,000076                                      | 2,9                        |
| 2.   | Sh 56-2B    | 0,12          | 0,17 | 2800   | 0,41                          | 50                             | 58                  | 65   | 0,70                                    | 0,70                   | 0,40 | 0,40  | 2,0                                     | 3,0                                      | 2,0                                  | 0,000095                                      | 3,2                        |
| 3.   | Sh 63-2A    | 0,18          | 0,25 | 2760   | 0,62                          | 60                             | 63                  | 65   | 0,80                                    | 0,85                   | 0,50 | 0,50  | 2,1                                     | 3,4                                      | 2,1                                  | 0,000175                                      | 3,5                        |
| 4.   | Sh 63-2B    | 0,25          | 0,33 | 2780   | 0,85                          | 66                             | 69                  | 72   | 0,78                                    | 1,10                   | 0,65 | 0,65  | 2,4                                     | 4,3                                      | 2,5                                  | 0,000235                                      | 4,1                        |
| 5.   | Sh 71-2A    | 0,37          | 0,5  | 2800   | 1,26                          | 67                             | 69                  | 71   | 0,77                                    | 1,75                   | 1,0  | 1,0   | 2,2                                     | 4,4                                      | 2,2                                  | 0,000389                                      | 5,1                        |
| 6.   | Sh 71-2B    | 0,55          | 0,75 | 2790   | 1,88                          | 69                             | 72                  | 75   | 0,82                                    | 2,35                   | 1,35 | 1,35  | 2,0                                     | 4,0                                      | 2,1                                  | 0,000484                                      | 6,3                        |
| 7.   | Sh 80-2A    | 0,75          | 1    | 2800   | 2,56                          | 66                             | 72                  | 74   | 0,80                                    | 3,3                    | 1,9  | 1,9   | 2,7                                     | 4,5                                      | 2,6                                  | 0,000829                                      | 7,9                        |
| 8.   | Sh 80-2B    | 1,1           | 1,5  | 2780   | 3,78                          | 69                             | 75                  | 77   | 0,84                                    | 4,3                    | 2,5  | 2,5   | 2,6                                     | 5,1                                      | 2,6                                  | 0,001005                                      | 9,1                        |
| 9.   | Sh 90S-2    | 1,5           | 2,0  | 2835   | 5,1                           | 80,7                           | 82,1                | 81,1 | 0,83                                    | 5,6                    | 3,4  | 3,2   | 3,0                                     | 6,1                                      | 3,0                                  | 0,0013  | 14                         |
| 10.  | Sh 90L-2    | 2,2           | 3,0  | 2855   | 7,40                          | 82,2                           | 83,9                | 83,2 | 0,82                                    | 8,1                    | 4,9  | 4,7   | 3,4                                     | 7,1                                      | 3,5                                  | 0,002   | 16,8                       |
| 11.  | Sg 100L-2   | 3,0           | 4,0  | 2905   | 9,9                           | 80,9                           | 83,2                | 83,4 | 0,86                                    | 10,5                   | 6,4  | 6,0   | 2,7                                     | 7,5                                      | 2,8                                  | 0,0048  | 25                         |
| 12.  | Sg 112M-2   | 4             | 5,5  | 2865   | 13,33                         | 85,7                           | 86,4                | 85,4 | 0,90                                    | 13,1                   | 7,9  | 7,5   | 2,1                                     | 6,4                                      | 2,3                                  | 0,0079  | 34                         |
| 13.  | Sg 132S-2A  | 5,5           | 7,5  | 2910   | 18,0                          | 86,4                           | 87,5                | 87,0 | 0,88                                    | 18,0                   | 10,9 | 10,4  | 2,4                                     | 7,0                                      | 3,2                                  | 0,0150  | 60                         |
| 14.  | Sg 132S-2B  | 7,5           | 10   | 2920   | 24,53                         | 88,1                           | 89,2                | 88,5 | 0,88                                    | 24,2                   | 14,6 | 13,9  | 2,5                                     | 7,5                                      | 3,2                                  | 0,0180  | 71                         |
| 15.  | Sg 160M-2A  | 11            | 15   | 2945   | 35,7                          | 88,9                           | 90,1                | 90,0 | 0,87                                    | 35,3                   | 20,9 | 20,3  | 2,2                                     | 7,7                                      | 3,4                                  | 0,042   | 96                         |
| 16.  | Sg 160M-2B  | 15            | 20   | 2935   | 48,8                          | 90,6                           | 91,5                | 91,0 | 0,89                                    | 46,5                   | 28,1 | 26,7  | 2,0                                     | 7,2                                      | 2,6                                  | 0,048   | 103                        |
| 17.  | Sg 160L-2   | 18,5          | 25   | 2930   | 60,3                          | 90,0                           | 90,7                | 90,3 | 0,91                                    | 56,5                   | 34,2 | 32,5  | 2,1                                     | 6,8                                      | 2,9                                  | 0,059   | 119                        |
| 18.  | Sg 180M-2   | 22            | 30   | 2920   | 71,95                         | 89,5                           | 90,8                | 90,6 | 0,88                                    | 69,3                   | 41,9 | 39,8  | 2,5                                     | 6,0                                      | 2,5                                  | 0,076   | 165                        |
| 19.  | 2Sg 200L2A  | 30            | 40   | 2960   | 97                            | 92,7                           | 93,2                | 92,9 | 0,89                                    | 91                     | 55   | 52    | 1,9                                     | 6,0                                      | 2,3                                  | 0,15  | 245                        |
| 20.  | 2Sg 200L2B  | 37            | 50   | 2960   | 119                           | 93,2                           | 94,0                | 93,7 | 0,89                                    | 111                    | 67   | 64    | 2,2                                     | 6,7                                      | 2,5                                  | 0,18  | 265                        |
| 21.  | 2Sg 225M2   | 45            | 60   | 2968   | 145                           | 94,0                           | 94,2                | 94,5 | 0,89                                    | 134                    | 81   | 77    | 2,4                                     | 7  | 2,5                                  | 0,26  | 335                        |
| 22.  | 2Sg 250M2   | 55            | 75   | 2970   | 177                           | 92,8                           | 93,6                | 93,5 | 0,9                                     | 164                    | 99   | 94    | 2                                       | 6,9                                      | 2,4                                  | 0,36  | 410                        |
| 23.  | 2Sg 280S2   | 75            | 100  | 2977   | 241                           | 91,9                           | 93,6                | 94   | 0,9                                     | 223                    | 135  | 128   | 2,1                                     | 7,5                                      | 3,3                                  | 0,76  | 535                        |
| 24.  | 2Sg 280M2   | 90            | 125  | 2970   | 289                           | 93,8                           | 94,6                | 94,7 | 0,91                                    | 262                    | 159  | 151   | 2                                       | 7  | 3,2                                  | 0,87  | 585                        |
| 25.  | 2Sg 315S2   | 110           | 150  | 2977   | 353                           | 94,0                           | 94,9                | 95,1 | 0,91                                    | 319                    | 193  | 183   | 2,2                                     | 8,3                                      | 3,3                                  | 0,91  | 690                        |
| 26.  | 2Sg 315M2A  | 132           | 175  | 2975   | 424                           | 94,4                           | 95,1                | 95   | 0,91                                    | 383                    | 232  | 220   | 2,1                                     | 8,5                                      | 2,8                                  | 0,98  | 725                        |
| 27.  | 2Sg 315M2B  | 160           | 220  | 2975   | 514                           | 94,9                           | 95,5                | 95,4 | 0,89                                    | 473                    | 286  | 272   | 2,3                                     | 9,1                                      | 2,5                                  | 1,2   | 790                        |
| 28.  | SEE 355ML2  | 200           | 270  | 2987   | 639                           | 94,6                           | 95,9                | 96,3 | 0,90                                    | -                      | -    | 333   | 1,9                                     | 8,0                                      | 3,4                                  | 2,8   | 1600                       |
| 29.  | SEE 355ML2A | 250           | 340  | 2982   | 800                           | 95,5                           | 96,3                | 96,4 | 0,91                                    | -                      | -    | 415   | 1,8                                     | 7  | 2,8                                  | 2,8   | 1600                       |
| 30.  | SEE 355ML2B | 315           | 430  | 2982   | 1009                          | 95,9                           | 96,6                | 96,6 | 0,91                                    | -                      | -    | 517   | 1,9                                     | 7,3                                      | 3,0                                  | 3,0   | 1680                       |
| 31.  | Sh 355H2Ds  | 355           | 480  | 2985   | 1136                          | 95,5                           | 96,3                | 96,5 | 0,91                                    | -                      | -    | 584   | 1,7                                     | 7,4                                      | 2,7                                  | 4,9   | 2140                       |
| 32.  | Sh 355H2Es  | 400           | 540  | 2985   | 1280                          | 95,7                           | 96,4                | 96,5 | 0,91                                    | -                      | -    | 657   | 1,6                                     | 8  | 2,8                                  | 5,7   | 2200                       |
| 33.  | Sh 400H2Cs  | 450           | 610  | 2983   | 1441                          | 95,6                           | 96,4                | 96,5 | 0,91                                    | -                      | -    | 740   | 1,3                                     | 6,6                                      | 2,6                                  | 6,7   | 2800                       |
| 34.  | Sh 400H2Ds  | 500           | 680  | 2985   | 1600                          | 95,7                           | 96,5                | 96,6 | 0,91                                    | -                      | -    | 821   | 1,4                                     | 7,2                                      | 2,8                                  | 7,7   | 2880                       |
| 35.  | Sh 400H2Es  | 560           | 760  | 2989   | 1789                          | 95,5                           | 96,4                | 96,6 | 0,90                                    | -                      | -    | 930   | 1,7                                     | 8  | 3                                    | 8,7   | 3100                       |
| 36.  | Sh 400 H2Es | 630           | 850  | 2985   | 2016                          | 96,2                           | 96,7                | 96,8 | 0,91                                    | -                      | -    | 1033  | 1,5                                     | 7,9                                      | 2,8                                  | 8,7   | 3100                       |
| 37.  | Sh 450 H2Bs | 710           | 950  | 2990   | 2268                          | 96,1                           | 96,8                | 97,0 | 0,88                                    | -                      | -    | 696*  | 0,6                                     | 6,2                                      | 2,7                                  | 17,2  | 4160                       |
| 38.  | Sh 450 H2Cs | 800           | 1080 | 2991   | 2554                          | 96,2                           | 96,9                | 97,1 | 0,88                                    | -                      | -    | 783*  | 0,7                                     | 6,8                                      | 3,0                                  | 18,4  | 4380                       |
| 39.  | Sh 450 H2Ds | 900           | 1200 | 2990   | 2875                          | 96,5                           | 97,1                | 97,2 | 0,89                                    | -                      | -    | 870*  | 0,7                                     | 6,6                                      | 2,8                                  | 19,0  | 4480                       |
| 40.  | Sh 500 H2Bs | 1000          | 1350 | 2992   | 3192                          | 95,8                           | 96,7                | 97,0 | 0,89                                    | -                      | -    | 969*  | 1,4                                     | 9,0                                      | 3,4                                  | 35,9  | 6200                       |
| 41.  | Sh 500 H2Cs | 1120          | 1500 | 2992   | 3575                          | 95,9                           | 96,7                | 97,0 | 0,88                                    | -                      | -    | 1098* | 1,2                                     | 8,5                                      | 3,2                                  | 35,9  | 6200                       |
| 42.  | Sh 500 H2Ds | 1200          | 1609 | 2991   | 3833                          | 96,0                           | 96,8                | 97,0 | 0,90                                    | -                      | -    | 1150* | 1,4                                     | 7,9                                      | 2,9                                  | 35,9  | 6200                       |

\* - at rated voltage 690 V

TECHNICAL DATA

Totally Enclosed Motors IP 55

TECHNICAL DATA

| Item | Type        | Rated output  |               | Rated speed<br>$n_N$<br>[min <sup>-1</sup> ] | Rated torque<br>$T_N$<br>[Nm] | Efficiency                     |      |                     | Power factor<br>$\cos \varphi_N$<br>[-] | Full load current      |      |                   | Locked rotor torque<br>$T_L/T_N$<br>[-] | Locked rotor current<br>$I_L/I_N$<br>[-] | Breakdown torque<br>$T_b/T_N$<br>[-] | Moment of inertia<br>J<br>[kgm <sup>2</sup> ] | Weight (IMB3)<br>m<br>[kg] |
|------|-------------|---------------|---------------|--|-------------------------------|--------------------------------|------|---------------------|---|------------------------|------|-------------------|---|--|--------------------------------------|---|----------------------------|
|      |             | $P_N$<br>[kW] | $P_N$<br>[HP] |  |                               | $\eta_N$ [%] at % of full load |      |                     |   | $I_N$ at rated voltage |      |                   |   |  |                                      |   |                            |
|      |             | 50%           | 75%           | 100%   | $n_s=1500$ rpm                |                                |      | [A] <sub>230V</sub> | [A] <sub>380V</sub>                     | [A] <sub>400V</sub>    |      |                   |   |  |                                      |   |                            |
| 43.  | Sh 56-4A    | 0,06          | 0,08          | 1400   | 0,41                          | 40                             | 48   | 50                  | 0,58                                    | 0,52                   | 0,30 | 0,30              | 2,0                                     | 2,8                                      | 2,3                                  | 0,00015                                       | 2,6                        |
| 44.  | Sh 56-4B    | 0,09          | 0,12          | 1380   | 0,62                          | 54                             | 58   | 60                  | 0,61                                    | 0,60                   | 0,35 | 0,35              | 2,0                                     | 2,4                                      | 2,1                                  | 0,00019                                       | 2,8                        |
| 45.  | Sh 63-4A    | 0,12          | 0,17          | 1380   | 0,83                          | 56                             | 60   | 60                  | 0,63                                    | 0,80                   | 0,45 | 0,45              | 1,9                                     | 2,6                                      | 2,0                                  | 0,00024                                       | 3,5                        |
| 46.  | Sh 63-4B    | 0,18          | 0,25          | 1380   | 1,26                          | 60                             | 69   | 65                  | 0,65                                    | 1,1                    | 0,65 | 0,65              | 2,0                                     | 2,6                                      | 2,0                                  | 0,00031                                       | 4,1                        |
| 47.  | Sh 71-4A    | 0,25          | 0,33          | 1380   | 1,73                          | 60                             | 63   | 66                  | 0,64                                    | 1,5                    | 0,85 | 0,85              | 2,0                                     | 3,0                                      | 2,0                                  | 0,00061                                       | 5,1                        |
| 48.  | Sh 71-4B    | 0,37          | 0,5           | 1370   | 2,60                          | 64                             | 67   | 70                  | 0,68                                    | 2,2                    | 1,25 | 1,25              | 2,1                                     | 3,1                                      | 2,1                                  | 0,00077                                       | 5,8                        |
| 49.  | Sh 80-4A    | 0,55          | 0,75          | 1400   | 3,75                          | 62                             | 68   | 72                  | 0,71                                    | 2,7                    | 1,6  | 1,7               | 2,5                                     | 3,9                                      | 2,5                                  | 0,00158                                       | 7,5                        |
| 50.  | Sh 80-4B    | 0,75          | 1             | 1380   | 5,15                          | 67                             | 73   | 76                  | 0,70                                    | 3,5                    | 2    | 2                 | 2,4                                     | 4,0                                      | 2,3                                  | 0,0019  | 8,8                        |
| 51.  | Sh 90S-4    | 1,1           | 1,5           | 1405   | 7,48                          | 75,5                           | 77,8 | 76,7                | 0,8                                     | 4,5                    | 2,7  | 2,6               | 2,2                                     | 4,9                                      | 2,8                                  | 0,0023  | 14                         |
| 52.  | Sh 90L-4    | 1,5           | 2             | 1410   | 10,16                         | 78,1                           | 80   | 79                  | 0,78                                    | 6,1                    | 3,7  | 3,5               | 2,5                                     | 5,3                                      | 2,8                                  | 0,0028  | 16,5                       |
| 53.  | Sg 100L-4A  | 2,2           | 3             | 1425   | 14,74                         | 80,2                           | 82,3 | 82                  | 0,80                                    | 8,3                    | 5,1  | 4,8               | 2,5                                     | 6,1                                      | 2,8                                  | 0,0058  | 25                         |
| 54.  | Sg 100L-4B  | 3,0           | 4,0           | 1415   | 20,25                         | 81,1                           | 83,1 | 82,7                | 0,81                                    | 11,2                   | 6,8  | 6,5               | 2,6                                     | 6,1                                      | 2,7                                  | 0,0065  | 26                         |
| 55.  | Sg 112M-4   | 4             | 5,5           | 1435   | 26,62                         | 84                             | 85,6 | 85,1                | 0,82                                    | 14,4                   | 8,7  | 8,3               | 2,6                                     | 6,3                                      | 3                                    | 0,0118  | 34                         |
| 56.  | Sg 132S-4   | 5,5           | 7,5           | 1450   | 36,22                         | 84,3                           | 86,1 | 85,9                | 0,84                                    | 19,1                   | 11,6 | 11                | 2,2                                     | 6,9                                      | 3,1                                  | 0,029   | 62                         |
| 57.  | Sg 132M-4   | 7,5           | 10            | 1450   | 49,4                          | 87                             | 87,8 | 87                  | 0,85                                    | 25,5                   | 15,4 | 14,6              | 2,4                                     | 6,7                                      | 3,1                                  | 0,035   | 73                         |
| 58.  | Sg 160M-4   | 11            | 15            | 1460   | 71,95                         | 88,2                           | 89,3 | 89                  | 0,85                                    | 36,5                   | 22,1 | 21,0              | 2,3                                     | 7  | 3,1                                  | 0,061   | 105                        |
| 59.  | Sg 160L-4   | 15            | 20            | 1460   | 98                            | 89,1                           | 89,9 | 89,5                | 0,87                                    | 48,4                   | 29,3 | 27,8              | 2,4                                     | 7,3                                      | 3,2                                  | 0,075   | 125                        |
| 60.  | Sg 180M-4   | 18,5          | 25            | 1470   | 120                           | 90                             | 90,9 | 90,5                | 0,90                                    | 57,0                   | 34,5 | 32,8              | 2,4                                     | 6,8                                      | 2,9                                  | 0,135   | 165                        |
| 61.  | Sg 180L-4   | 22            | 30            | 1465   | 143                           | 90,4                           | 91,3 | 91                  | 0,90                                    | 67,4                   | 40,8 | 38,8              | 2,7                                     | 7,3                                      | 2,8                                  | 0,155   | 175                        |
| 62.  | 2Sg 200L4   | 30            | 40            | 1472   | 195                           | 92,4                           | 93   | 92,5                | 0,88                                    | 93                     | 56   | 53                | 2,9                                     | 7,1                                      | 2,5                                  | 0,31  | 265                        |
| 63.  | 2Sg 225S4   | 37            | 50            | 1475   | 240                           | 92,9                           | 93,2 | 92,6                | 0,88                                    | 114                    | 69   | 66                | 2,1                                     | 6,3                                      | 2,2                                  | 0,44  | 320                        |
| 64.  | 2Sg 225M4   | 45            | 60            | 1480   | 290                           | 93,9                           | 94,3 | 94                  | 0,88                                    | 137                    | 83   | 79                | 2,6                                     | 7  | 2,3                                  | 0,53  | 345                        |
| 65.  | 2Sg 250M4   | 55            | 75            | 1483   | 354                           | 93,3                           | 93,9 | 93,5                | 0,91                                    | 162                    | 98   | 93                | 2,4                                     | 7,3                                      | 2,6                                  | 0,79  | 425                        |
| 66.  | 2Sg 280S4   | 75            | 100           | 1485   | 482                           | 94,0                           | 94,5 | 94,2                | 0,90                                    | 222                    | 134  | 128               | 2,5                                     | 7,3                                      | 2,5                                  | 1,37  | 575                        |
| 67.  | 2Sg 280M4   | 90            | 125           | 1485   | 579                           | 94,5                           | 94,9 | 94,8                | 0,91                                    | 262                    | 159  | 151               | 2,6                                     | 7,3                                      | 2,6                                  | 1,63  | 635                        |
| 68.  | 2Sg 315S4   | 110           | 150           | 1480   | 710                           | 94,6                           | 94,7 | 94,2                | 0,92                                    | 319                    | 193  | 183               | 2,3                                     | 6,9                                      | 2,2                                  | 1,67  | 720                        |
| 69.  | 2Sg 315M4B  | 132           | 175           | 1487   | 848                           | 94,2                           | 94,9 | 94,9                | 0,90                                    | 388                    | 235  | 223               | 2,3                                     | 7,6                                      | 2,5                                  | 1,84  | 750                        |
| 70.  | 2Sg 315M4A  | 160           | 220           | 1489   | 1026                          | 94,5                           | 95,3 | 95,4                | 0,86                                    | 490                    | 296  | 281               | 2,7                                     | 8,5                                      | 2,4                                  | 2,24  | 870                        |
| 71.  | SEE 315ML4  | 200           | 270           | 1487   | 1284                          | 95,2                           | 95,8 | 95,9                | 0,87                                    | -                      | -    | 346               | 2,3                                     | 7,2                                      | 2,4                                  | 3,3   | 1200                       |
| 72.  | SEE 355ML4A | 250           | 340           | 1489   | 1603                          | 95,8                           | 96,4 | 96,3                | 0,89                                    | -                      | -    | 424               | 2,0                                     | 7,3                                      | 2,4                                  | 5,3   | 1680                       |
| 73.  | SEE 355ML4B | 315           | 430           | 1489   | 2020                          | 96,4                           | 96,7 | 96,6                | 0,90                                    | -                      | -    | 523               | 2,2                                     | 7,6                                      | 2,5                                  | 6,4   | 1810                       |
| 74.  | Sh 355H4Ds  | 355           | 480           | 1488   | 2278                          | 96,3                           | 96,7 | 96,5                | 0,88                                    | -                      | -    | 604               | 1,6                                     | 6,5                                      | 2,2                                  | 7,8   | 2175                       |
| 75.  | Sh 355H4Es  | 400           | 540           | 1489   | 2566                          | 95,8                           | 96,2 | 96,1                | 0,88                                    | -                      | -    | 683               | 1,8                                     | 7,0                                      | 2,3                                  | 9,1   | 2320                       |
| 76.  | Sh 400H4Cs  | 450           | 610           | 1490   | 2884                          | 96,3                           | 96,9 | 96,9                | 0,88                                    | -                      | -    | 762               | 1,6                                     | 7,6                                      | 2,6                                  | 12,3  | 2920                       |
| 77.  | Sh 400H4Ds  | 500           | 680           | 1491   | 3203                          | 96,2                           | 96,7 | 96,7                | 0,88                                    | -                      | -    | 848               | 1,6                                     | 7,5                                      | 2,6                                  | 13,6  | 3100                       |
| 78.  | Sh 400H4Es  | 560           | 760           | 1491   | 3587                          | 96,4                           | 95,8 | 96,8                | 0,87                                    | -                      | -    | 960               | 1,7                                     | 7,6                                      | 2,6                                  | 15,0  | 3250                       |
| 79.  | Sh 400H4Fs  | 630           | 850           | 1491   | 4035                          | 96,5                           | 96,9 | 96,9                | 0,87                                    | -                      | -    | 1079              | 1,9                                     | 8,4                                      | 2,8                                  | 15,3  | 3440                       |
| 80.  | Sh 450H4Bs  | 710           | 960           | 1492   | 4545                          | 96,5                           | 97,0 | 97,0                | 0,88                                    | -                      | -    | 696 <sup>2</sup>  | 1,6                                     | 7,0                                      | 2,5                                  | 27,1  | 4000                       |
| 81.  | Sh 450H4Cs  | 800           | 1080          | 1493   | 5117                          | 96,7                           | 97,0 | 97,0                | 0,89                                    | -                      | -    | 775 <sup>2</sup>  | 1,6                                     | 6,8                                      | 2,6                                  | 31,6  | 4400                       |
| 82.  | Sh 450H4Ds  | 900           | 1210          | 1493   | 6757                          | 96,6                           | 97,0 | 97,0                | 0,88                                    | -                      | -    | 882 <sup>2</sup>  | 1,5                                     | 7,3                                      | 2,5                                  | 35,4  | 4620                       |
| 83.  | Sh 450H4Es  | 1000          | 1350          | 1493   | 6397                          | 96,7                           | 97,2 | 97,2                | 0,89                                    | -                      | -    | 967 <sup>2</sup>  | 1,5                                     | 7,3                                      | 2,5                                  | 38,0  | 4700                       |
| 84.  | Sh 500H4Cs  | 1120          | 1510          | 1495   | 7155                          | 96,7                           | 97,4 | 97,4                | 0,87                                    | -                      | -    | 1106 <sup>2</sup> | 0,8                                     | 6,9                                      | 2,5                                  | 58,4  | 6100                       |
| 85.  | Sh 500H4Ds  | 1250          | 1680          | 1495   | 7985                          | 96,7                           | 97,4 | 97,5                | 0,87                                    | -                      | -    | 1233 <sup>2</sup> | 0,8                                     | 7,5                                      | 2,7                                  | 65,2  | 6600                       |
| 86.  | Sh 500H4Es  | 1400          | 1880          | 1494   | 8949                          | 96,9                           | 97,5 | 97,5                | 0,88                                    | -                      | -    | 1365 <sup>2</sup> | 0,7                                     | 6,4                                      | 2,4                                  | 66,5  | 6900                       |

<sup>2</sup> - at rated voltage 690 V



Totally Enclosed Motors IP 55

| Item                               | Type        | Rated output   |                | Rated speed          | Rated torque | Efficiency     |                                      |      | Power factor       | Full load current               |                     |                     | Locked rotor torque            | Locked rotor current           | Breakdown torque               | Moment of inertia | Weight (IMB3) |
|------------------------------------|-------------|----------------|----------------|----------------------|--------------|----------------|--------------------------------------|------|--------------------|---------------------------------|---------------------|---------------------|--------------------------------|--------------------------------|--------------------------------|-------------------|---------------|
|                                    |             | P <sub>N</sub> | η <sub>N</sub> |                      |              | T <sub>N</sub> | η <sub>N</sub> [%] at % of full load |      |                    | I <sub>N</sub> at rated voltage |                     |                     |                                |                                |                                |                   |               |
|                                    |             | [kW]           | [HP]           | [min <sup>-1</sup> ] | [Nm]         | 50%            | 75%                                  | 100% | cos φ <sub>N</sub> | [A] <sub>230V</sub>             | [A] <sub>380V</sub> | [A] <sub>400V</sub> | T <sub>L</sub> /T <sub>N</sub> | I <sub>L</sub> /I <sub>N</sub> | T <sub>B</sub> /T <sub>N</sub> | J                 | m             |
| <b>2p=6 n<sub>s</sub>=1000 rpm</b> |             |                |                |                      |              |                |                                      |      |                    |                                 |                     |                     |                                |                                |                                |                   |               |
| 87.                                | Sh 56-6B    | 0,06           | 0,08           | 860                  | 0,65         | 30             | 31                                   | 32   | 0,65               | 0,73                            | 0,42                | 0,42                | 1,4                            | 1,7                            | 1,6                            | 0,00019           | 2,8           |
| 88.                                | Sh 63-6A    | 0,09           | 0,12           | 870                  | 0,98         | 40             | 44                                   | 49   | 0,53               | 0,9                             | 0,50                | 0,50                | 1,5                            | 2,0                            | 1,6                            | 0,00024           | 3,5           |
| 89.                                | Sh 63-6B    | 0,12           | 0,17           | 870                  | 1,30         | 38             | 44                                   | 50   | 0,65               | 1,15                            | 0,65                | 0,65                | 1,3                            | 1,8                            | 1,1                            | 0,00031           | 4,1           |
| 90.                                | Sh 71-6A    | 0,18           | 0,25           | 890                  | 1,93         | 47             | 54                                   | 57   | 0,68               | 1,3                             | 0,75                | 0,75                | 1,9                            | 2,6                            | 1,9                            | 0,00074           | 4,8           |
| 91.                                | Sh 71-6B    | 0,25           | 0,33           | 860                  | 2,78         | 45             | 52                                   | 55   | 0,79               | 1,75                            | 1,0                 | 1,0                 | 1,6                            | 2,0                            | 1,6                            | 0,00095           | 5,8           |
| 92.                                | Sh 80-6A    | 0,37           | 0,5            | 910                  | 3,88         | 61             | 63                                   | 64   | 0,65               | 2,4                             | 1,4                 | 1,4                 | 2,0                            | 3,0                            | 2,1                            | 0,00169           | 7,4           |
| 93.                                | Sh 80-6B    | 0,55           | 0,75           | 900                  | 5,84         | 62             | 65                                   | 67   | 0,70               | 3,1                             | 1,8                 | 1,8                 | 1,9                            | 2,7                            | 2,0                            | 0,00207           | 8,7           |
| 94.                                | Sh 90S-6    | 0,75           | 1              | 915                  | 7,83         | 70,2           | 73,3                                 | 72,4 | 0,72               | 3,6                             | 2,2                 | 2,1                 | 1,9                            | 3,7                            | 2,2                            | 0,002             | 13,5          |
| 95.                                | Sh 90L-6    | 1,1            | 1,5            | 920                  | 11,42        | 73,5           | 76,2                                 | 75,4 | 0,71               | 5,2                             | 3,1                 | 3,0                 | 2,2                            | 4                              | 2,2                            | 0,0028            | 16,5          |
| 96.                                | Sg 100L-6   | 1,5            | 2              | 945                  | 15,16        | 74             | 76,9                                 | 76,7 | 0,73               | 6,7                             | 4,1                 | 3,9                 | 1,9                            | 4,6                            | 2,3                            | 0,009             | 24            |
| 97.                                | Sg 112M-6   | 2,2            | 3              | 960                  | 21,89        | 81,6           | 83,8                                 | 83,8 | 0,78               | 8,4                             | 5,1                 | 4,9                 | 2,2                            | 5,9                            | 2,8                            | 0,0177            | 33            |
| 98.                                | Sg 132S-6   | 3              | 4              | 950                  | 30,16        | 79,2           | 81,5                                 | 81   | 0,78               | 11,9                            | 7,2                 | 6,9                 | 2,1                            | 5,4                            | 2,8                            | 0,025             | 54            |
| 99.                                | Sg 132M-6A  | 4              | 5,5            | 950                  | 40,21        | 83,5           | 84,8                                 | 84   | 0,79               | 15,1                            | 9,2                 | 8,7                 | 2,4                            | 6                              | 3,1                            | 0,032             | 66            |
| 100.                               | Sg 132M-6B  | 5,5            | 7,5            | 950                  | 55,29        | 84,8           | 85,9                                 | 85   | 0,79               | 20,6                            | 12,4                | 11,8                | 2,7                            | 6,3                            | 3,1                            | 0,04              | 72            |
| 101.                               | Sg 160M-6   | 7,5            | 10             | 960                  | 74,61        | 86,6           | 87,9                                 | 87,5 | 0,81               | 26,6                            | 16,1                | 15,3                | 2,3                            | 6,5                            | 3,1                            | 0,072             | 100           |
| 102.                               | Sg 160L-6   | 11             | 15             | 960                  | 109,4        | 88,3           | 89,2                                 | 88,5 | 0,82               | 38                              | 23                  | 21,9                | 2,4                            | 7                              | 3,1                            | 0,096             | 125           |
| 103.                               | Sg 180L-6   | 15             | 20             | 975                  | 146,9        | 88             | 89,2                                 | 89   | 0,84               | 50,4                            | 30,5                | 29,0                | 2,8                            | 6                              | 2,4                            | 0,22              | 170           |
| 104.                               | 2Sg 200L6A  | 18,5           | 25             | 980                  | 180          | 89,6           | 90,7                                 | 90,5 | 0,86               | 60                              | 36                  | 34,5                | 2,5                            | 6,8                            | 2,4                            | 0,41              | 250           |
| 105.                               | 2Sg 200L6B  | 22             | 30             | 981                  | 214          | 90,6           | 90,8                                 | 90,5 | 0,88               | 69                              | 42                  | 40                  | 2,4                            | 6,9                            | 2,2                            | 0,47              | 265           |
| 106.                               | 2Sg 225M6   | 30             | 40             | 982                  | 292          | 92,6           | 92,8                                 | 91,9 | 0,88               | 93                              | 56                  | 54                  | 2,1                            | 6,3                            | 2,2                            | 0,76              | 325           |
| 107.                               | 2Sg 250M6   | 37             | 50             | 985                  | 359          | 92,5           | 92,9                                 | 92,5 | 0,89               | 113                             | 68                  | 65                  | 2,6                            | 6,8                            | 2,3                            | 1,23              | 430           |
| 108.                               | 2Sg 280S6   | 45             | 60             | 985                  | 436          | 92,2           | 93,0                                 | 93   | 0,87               | 140                             | 85                  | 80                  | 2                              | 6,5                            | 2,3                            | 1,35              | 525           |
| 109.                               | 2Sg 280M6   | 55             | 75             | 985                  | 533          | 93,6           | 94,0                                 | 93,5 | 0,89               | 166                             | 100                 | 95                  | 2,2                            | 6,2                            | 2,2                            | 1,61              | 565           |
| 110.                               | 2Sg 315S6   | 75             | 100            | 985                  | 727          | 93,3           | 93,8                                 | 93,5 | 0,89               | 226                             | 137                 | 130                 | 2,3                            | 6,6                            | 2,2                            | 2,16              | 730           |
| 111.                               | 2Sg 315M6A  | 90             | 125            | 984                  | 873          | 93,6           | 94,1                                 | 93,7 | 0,88               | 274                             | 166                 | 158                 | 2,5                            | 6,8                            | 2                              | 2,29              | 740           |
| 112.                               | 2Sg 315M6B  | 110            | 150            | 985                  | 1066         | 94,3           | 94,6                                 | 94,2 | 0,89               | 329                             | 199                 | 189                 | 2,3                            | 7,2                            | 2,1                            | 2,86              | 840           |
| 113.                               | SEE 315ML6  | 160            | 220            | 987                  | 1548         | 94,5           | 95,0                                 | 94,7 | 0,84               | -                               | -                   | 290                 | 2,4                            | 6,3                            | 2,1                            | 3,5               | 1240          |
| 114.                               | SEE 355ML6A | 200            | 270            | 989                  | 1931         | 95,4           | 95,9                                 | 95,7 | 0,86               | -                               | -                   | 351                 | 2,1                            | 7,0                            | 2,4                            | 7,2               | 1720          |
| 115.                               | SEE 355ML6B | 250            | 340            | 990                  | 2411         | 95,7           | 96,1                                 | 95,9 | 0,86               | -                               | -                   | 437                 | 2,2                            | 7,1                            | 2,4                            | 8,6               | 1920          |
| 116.                               | Sh 355H6Cs  | 315            | 430            | 991                  | 3035         | 96,0           | 96,2                                 | 96,1 | 0,86               | -                               | -                   | 550                 | 1,9                            | 7,0                            | 2,2                            | 12,7              | 2370          |
| 117.                               | Sh 355H6Ds  | 355            | 480            | 991                  | 3421         | 96,0           | 96,2                                 | 96,2 | 0,86               | -                               | -                   | 620                 | 1,8                            | 6,9                            | 2,3                            | 13,6              | 2480          |
| 118.                               | Sh 355H6Es  | 400            | 540            | 992                  | 3851         | 95,7           | 96,0                                 | 95,9 | 0,85               | -                               | -                   | 708                 | 2,2                            | 8,0                            | 2,4                            | 15,3              | 2600          |
| 119.                               | Sh 400H6Cs  | 450            | 610            | 993                  | 4328         | 95,8           | 96,3                                 | 96,0 | 0,83               | -                               | -                   | 815                 | 1,5                            | 7,5                            | 2,5                            | 19,4              | 3250          |
| 120.                               | Sh 450H6As  | 500            | 680            | 994                  | 4804         | 96,2           | 96,5                                 | 96,4 | 0,88               | -                               | -                   | 493 <sup>2</sup>    | 1,2                            | 6,7                            | 2,6                            | 36,5              | 3800          |
| 121.                               | Sh 450H6Bs  | 560            | 760            | 994                  | 5380         | 95,9           | 96,5                                 | 96,4 | 0,88               | -                               | -                   | 552 <sup>2</sup>    | 1,2                            | 6,8                            | 2,6                            | 40,6              | 4300          |
| 122.                               | Sh 450H6Cs  | 630            | 850            | 994                  | 6053         | 96,3           | 96,7                                 | 96,6 | 0,89               | -                               | -                   | 613 <sup>2</sup>    | 1,3                            | 7,0                            | 2,6                            | 45,0              | 4500          |
| 123.                               | Sh 450H6Ds  | 710            | 960            | 994                  | 6821         | 96,3           | 96,6                                 | 96,6 | 0,89               | -                               | -                   | 691 <sup>2</sup>    | 1,4                            | 7,4                            | 2,6                            | 50,0              | 4890          |
| 124.                               | Sh 500H6As  | 800            | 1080           | 995                  | 7678         | 96,5           | 96,9                                 | 96,8 | 0,86               | -                               | -                   | 804 <sup>2</sup>    | 0,9                            | 5,8                            | 2,2                            | 61,5              | 6200          |
| 125.                               | Sh 500H6Bs  | 900            | 1210           | 995                  | 8638         | 96,6           | 96,9                                 | 96,8 | 0,87               | -                               | -                   | 894 <sup>2</sup>    | 1,0                            | 6,0                            | 2,2                            | 71,0              | 6550          |
| 126.                               | Sh 500H6Cs  | 1000           | 1350           | 995                  | 9598         | 96,2           | 96,8                                 | 96,9 | 0,86               | -                               | -                   | 1004 <sup>2</sup>   | 1,0                            | 6,4                            | 2,5                            | 70,0              | 6700          |
| 127.                               | Sh 500H6Ds  | 1120           | 1510           | 996                  | 10739        | 96,1           | 96,8                                 | 97,0 | 0,85               | -                               | -                   | 1137 <sup>2</sup>   | 1,1                            | 7,0                            | 2,6                            | 80,0              | 7130          |
| 128.                               | Sh 500H6Es  | 1250           | 1680           | 996                  | 11985        | 96,2           | 96,9                                 | 97,0 | 0,85               | -                               | -                   | 1269 <sup>2</sup>   | 1,1                            | 7,1                            | 2,6                            | 84,9              | 7460          |
| 129.                               | Sh 500H6Es  | 1300           | 1743           | 996                  | 12465        | 96,3           | 96,9                                 | 97,0 | 0,85               | -                               | -                   | 1319 <sup>2</sup>   | 1,1                            | 6,9                            | 2,5                            | 84,9              | 7460          |

<sup>2</sup> - at rated voltage 690V

TECHNICAL DATA

Totally Enclosed Motors IP 55

TECHNICAL DATA

| Item                                 | Type        | Rated output  |      | Rated speed<br>$n_N$<br>[min <sup>-1</sup> ] | Rated torque<br>$T_N$<br>[Nm] | Efficiency                     |                        |      | Power factor<br>$\cos \varphi_N$<br>[-] | Full load current |      |                   | Locked rotor torque<br>$T_L/T_N$<br>[-] | Locked rotor current<br>$I_L/I_N$<br>[-] | Breakdown torque<br>$T_b/T_N$<br>[-] | Moment of inertia<br>J<br>[kgm <sup>2</sup> ] | Weight (IMB3)<br>m<br>[kg] |
|--------------------------------------|-------------|---------------|------|--|-------------------------------|--------------------------------|------------------------|------|---|-------------------|------|-------------------|---|--|--------------------------------------|---|----------------------------|
|                                      |             | $P_N$<br>[kW] | [HP] |  |                               | $\eta_N$ [%] at % of full load | $I_N$ at rated voltage |      |   |                   |      |                   |   |  |                                      |   |                            |
|                                      |             | 50%           | 75%  | 100%   | [A] <sub>230V</sub>           | [A] <sub>380V</sub>            | [A] <sub>400V</sub>    |      |   |                   |      |                   |   |  |                                      |   |                            |
| <b>2p=8 <math>n_s=750</math> rpm</b> |             |               |      |  |                               |                                |                        |      |   |                   |      |                   |   |  |                                      |   |                            |
| 130.                                 | Sh 63-8A    | 0,04          | 0,05 | 670  | 0,61                          | 20                             | 25                     | 30   | 0,56                                    | 0,9               | 0,50 | 0,50              | 1,9                                     | 1,3                                      | 1,7                                  | 0,00024                                       | 3,5                        |
| 131.                                 | Sh 63-8B    | 0,06          | 0,08 | 660  | 0,87                          | 20                             | 24                     | 28   | 0,48                                    | 1,1               | 0,65 | 0,65              | 1,4                                     | 1,4                                      | 1,4                                  | 0,000307                                      | 4,1                        |
| 132.                                 | Sh 71-8A    | 0,09          | 0,12 | 680  | 1,27                          | 25                             | 31                     | 35   | 0,50                                    | 1,3               | 0,75 | 0,75              | 2,2                                     | 1,6                                      | 2,2                                  | 0,000736                                      | 4,7                        |
| 133.                                 | Sh 71-8B    | 0,12          | 0,17 | 670  | 1,71                          | 40                             | 45                     | 47   | 0,63                                    | 1,25              | 0,7  | 0,7               | 1,7                                     | 1,9                                      | 1,8                                  | 0,000946                                      | 5,6                        |
| 134.                                 | Sh 80-8A    | 0,18          | 0,25 | 680  | 2,53                          | 43                             | 51                     | 53   | 0,57                                    | 1,55              | 0,9  | 0,9               | 1,8                                     | 2,3                                      | 2,0                                  | 0,001693                                      | 7,5                        |
| 135.                                 | Sh 80-8B    | 0,25          | 0,33 | 680  | 3,51                          | 52                             | 55                     | 57   | 0,60                                    | 2,1               | 1,2  | 1,2               | 1,7                                     | 2,5                                      | 1,7                                  | 0,00207                                       | 8,9                        |
| 136.                                 | Sh 90S-8    | 0,37          | 0,5  | 695  | 5,08                          | 54,2                           | 60,8                   | 63,4 | 0,59                                    | 2,5               | 1,5  | 1,4               | 1,7                                     | 2,3                                      | 2,3                                  | 0,0021  | 13,4                       |
| 137.                                 | Sh 90L-8    | 0,55          | 0,75 | 675  | 7,78                          | 60,4                           | 65,3                   | 65   | 0,64                                    | 3,3               | 2    | 1,9               | 1,7                                     | 2,8                                      | 1,9                                  | 0,0024  | 15,3                       |
| 138.                                 | Sg 100L-8A  | 0,75          | 1    | 710  | 10,1                          | 65,9                           | 70,5                   | 71,1 | 0,66                                    | 4                 | 2,4  | 2,3               | 1,5                                     | 3,5                                      | 1,9                                  | 0,009   | 23,6                       |
| 139.                                 | Sg 100L-8B  | 1,1           | 1,5  | 705  | 14,9                          | 67,6                           | 71,8                   | 72,2 | 0,65                                    | 5,9               | 3,6  | 3,4               | 1,6                                     | 3,6                                      | 1,9                                  | 0,01  | 26,3                       |
| 140.                                 | Sg 112M-8   | 1,5           | 2    | 720  | 19,9                          | 72,5                           | 76,2                   | 76,8 | 0,71                                    | 6,9               | 4,2  | 4,0               | 1,9                                     | 4,6                                      | 2,3                                  | 0,0192  | 53                         |
| 141.                                 | Sg 132S-8   | 2,2           | 3    | 710  | 29,6                          | 75,4                           | 78,2                   | 78   | 0,74                                    | 9,6               | 5,8  | 5,5               | 2,0                                     | 4,7                                      | 2,4                                  | 0,033   | 53                         |
| 142.                                 | Sg 132M-8   | 3             | 4    | 710  | 40,4                          | 78,5                           | 80,7                   | 80   | 0,74                                    | 12,7              | 7,7  | 7,3               | 2,3                                     | 5,0                                      | 3,0                                  | 0,044   | 65                         |
| 143.                                 | Sg 160M-8A  | 4             | 5,5  | 705  | 54,2                          | 81,5                           | 82,7                   | 81,5 | 0,76                                    | 16,2              | 9,8  | 9,3               | 2,2                                     | 5,0                                      | 2,7                                  | 0,06  | 85                         |
| 144.                                 | Sg 160M-8B  | 5,5           | 7,5  | 710  | 74                            | 82,1                           | 83,7                   | 83   | 0,75                                    | 22,2              | 13,4 | 12,8              | 2,7                                     | 5,5                                      | 3,0                                  | 0,077   | 95                         |
| 145.                                 | Sg 160L-8   | 7,5           | 10   | 705  | 102                           | 84,5                           | 85,5                   | 84,5 | 0,78                                    | 28,6              | 17,3 | 16,4              | 2,7                                     | 5,8                                      | 3,0                                  | 0,102   | 115                        |
| 146.                                 | Sg 180L-8   | 11            | 15   | 730  | 144                           | 87,7                           | 89,2                   | 89   | 0,76                                    | 40,8              | 24,7 | 23,5              | 2,0                                     | 5,5                                      | 2,4                                  | 0,213   | 165                        |
| 147.                                 | 2Sg 200L8   | 15            | 20   | 733  | 195                           | 88,8                           | 90                     | 89,5 | 0,83                                    | 51                | 30,5 | 29,1              | 2,2                                     | 5,5                                      | 2,1                                  | 0,45  | 255                        |
| 148.                                 | 2Sg 225S8   | 18,5          | 25   | 735  | 240                           | 88,8                           | 90                     | 89,5 | 0,81                                    | 64                | 39   | 37                | 2,0                                     | 5,6                                      | 2,0                                  | 0,58  | 280                        |
| 149.                                 | 2Sg 225M8   | 22            | 30   | 735  | 286                           | 90,0                           | 90,8                   | 90,4 | 0,8                                     | 76                | 46   | 44                | 2,0                                     | 5,2                                      | 1,8                                  | 0,68  | 315                        |
| 150.                                 | 2Sg 250M8   | 30            | 40   | 738  | 388                           | 91,0                           | 92                     | 91,5 | 0,84                                    | 98                | 59   | 56                | 2,5                                     | 6,3                                      | 2,1                                  | 1,27  | 430                        |
| 151.                                 | 2Sg 280S8   | 37            | 50   | 737  | 479                           | 92,0                           | 93,1                   | 92,8 | 0,83                                    | 121               | 73   | 69                | 2,0                                     | 5,3                                      | 1,8                                  | 1,47  | 535                        |
| 152.                                 | 2Sg 280M8   | 45            | 60   | 737  | 583                           | 92,0                           | 92,8                   | 92,5 | 0,84                                    | 145               | 88   | 84                | 2,1                                     | 5,4                                      | 2,0                                  | 1,8   | 590                        |
| 153.                                 | 2Sg 315S8   | 55            | 75   | 735  | 715                           | 92,0                           | 93,0                   | 92,7 | 0,81                                    | 184               | 111  | 106               | 2,0                                     | 5,3                                      | 1,9                                  | 2,16  | 720                        |
| 154.                                 | 2Sg 315M8A  | 75            | 100  | 737  | 972                           | 92,5                           | 93,5                   | 93,2 | 0,82                                    | 246               | 149  | 142               | 2,5                                     | 6,2                                      | 1,5                                  | 2,29  | 750                        |
| 155.                                 | 2Sg 315M8B  | 90            | 125  | 737  | 1166                          | 92,5                           | 93,5                   | 93,2 | 0,82                                    | 296               | 179  | 170               | 2,4                                     | 6,5                                      | 1,9                                  | 2,86  | 840                        |
| 156.                                 | Sg 355S8    | 132           | 175  | 741  | 1701                          | 93,7                           | 94,7                   | 94,8 | 0,80                                    | -                 | -    | 251               | 1,3                                     | 5,5                                      | 2,0                                  | 7,2   | 1320                       |
| 157.                                 | SEE 355ML8A | 160           | 220  | 739  | 2068                          | 95,1                           | 95,5                   | 95,0 | 0,80                                    | -                 | -    | 304               | 1,6                                     | 5,8                                      | 2,0                                  | 7,0   | 1680                       |
| 158.                                 | SEE 355ML8B | 200           | 270  | 740  | 2581                          | 95,1                           | 95,5                   | 95,0 | 0,79                                    | -                 | -    | 385               | 1,8                                     | 6,2                                      | 2,1                                  | 8,3   | 1750                       |
| 159.                                 | Sh 355H8Ds  | 250           | 340  | 742  | 3218                          | 95,3                           | 95,8                   | 95,4 | 0,78                                    | -                 | -    | 485               | 1,3                                     | 6,0                                      | 2,0                                  | 12,9  | 2440                       |
| 160.                                 | Sh 355H8Es  | 315           | 430  | 742  | 4054                          | 95,1                           | 95,5                   | 95,3 | 0,78                                    | -                 | -    | 612               | 1,3                                     | 6,0                                      | 2,0                                  | 16,0  | 2590                       |
| 161.                                 | Sh 400H8Ds  | 355           | 480  | 742  | 4569                          | 95,1                           | 95,6                   | 95,6 | 0,77                                    | -                 | -    | 696               | 1,2                                     | 5,8                                      | 2,0                                  | 18,8  | 3200                       |
| 162.                                 | Sh 400H8Es  | 400           | 540  | 742  | 5148                          | 95,1                           | 95,7                   | 95,7 | 0,77                                    | -                 | -    | 783               | 1,2                                     | 5,9                                      | 2,0                                  | 21,0  | 3350                       |
| 163.                                 | Sh 450H8Bs  | 450           | 610  | 746  | 5761                          | 95,2                           | 96,0                   | 96,1 | 0,78                                    | -                 | -    | 502 <sup>2</sup>  | 1,0                                     | 5,8                                      | 2,1                                  | 41,6  | 4400                       |
| 164.                                 | Sh 450H8Cs  | 500           | 680  | 746  | 6401                          | 95,3                           | 96,1                   | 96,2 | 0,78                                    | -                 | -    | 558 <sup>2</sup>  | 1,0                                     | 5,8                                      | 2,1                                  | 46,0  | 4600                       |
| 165.                                 | Sh 450H8Ds  | 560           | 760  | 746  | 7169                          | 95,4                           | 96,2                   | 96,3 | 0,78                                    | -                 | -    | 624 <sup>2</sup>  | 1,0                                     | 5,7                                      | 2,1                                  | 49,0  | 4770                       |
| 166.                                 | Sh 450H8Es  | 630           | 850  | 746  | 8065                          | 95,6                           | 96,2                   | 96,3 | 0,79                                    | -                 | -    | 693 <sup>2</sup>  | 1,0                                     | 5,6                                      | 2,0                                  | 53,8  | 4980                       |
| 167.                                 | Sh 500H8Bs  | 710           | 960  | 746  | 9089                          | 95,8                           | 96,4                   | 96,5 | 0,81                                    | -                 | -    | 760 <sup>2</sup>  | 1,0                                     | 6,0                                      | 2,4                                  | 92,4  | 6500                       |
| 168.                                 | Sh 500H8Cs  | 800           | 1080 | 746  | 10241                         | 95,8                           | 96,4                   | 96,5 | 0,80                                    | -                 | -    | 867 <sup>2</sup>  | 1,1                                     | 6,3                                      | 2,5                                  | 95,8  | 6780                       |
| 169.                                 | Sh 500H8Ds  | 900           | 1210 | 746  | 11522                         | 95,8                           | 96,5                   | 96,6 | 0,80                                    | -                 | -    | 975 <sup>2</sup>  | 1,0                                     | 6,0                                      | 2,4                                  | 108   | 7240                       |
| 170.                                 | Sh 500H8Es  | 1000          | 1350 | 746  | 12802                         | 95,8                           | 96,6                   | 96,6 | 0,80                                    | -                 | -    | 1083 <sup>2</sup> | 1,1                                     | 6,5                                      | 2,5                                  | 118   | 7570                       |

<sup>2</sup> at rated voltage 690 V

Totally Enclosed Motors IP 55

| Item | Type        | Rated output         |      | Rated speed | Rated torque | Efficiency   |                     |                     | Power factor                 | Full load current |                                      |                    | Locked rotor torque | Locked rotor current | Breakdown torque | Moment of inertia | Weight (IMB3) |
|------|-------------|----------------------|------|-------------|--------------|--------------|---------------------|---------------------|------------------------------|-------------------|--------------------------------------|--------------------|---------------------|----------------------|------------------|-------------------|---------------|
|      |             | P <sub>N</sub>       | [kW] |             |              | [HP]         | η <sub>N</sub>      | T <sub>N</sub>      |                              | [Nm]              | η <sub>N</sub> [%] at % of full load | cos φ <sub>N</sub> |                     |                      |                  |                   |               |
|      |             | [min <sup>-1</sup> ] | 50%  | 75%         | 100%         | [-]          | [A] <sub>230V</sub> | [A] <sub>380V</sub> | [A] <sub>400V</sub>          | [-]               | [-]                                  | [-]                | [kgm <sup>2</sup> ] | [kg]                 |                  |                   |               |
|      |             |                      |      |             |              | <b>2p=10</b> |                     |                     | <b>n<sub>s</sub>=600 rpm</b> |                   |                                      |                    |                     |                      |                  |                   |               |
| 171. | Sh 90S-10   | 0,25                 | 0,34 | 560         | 4,3          | 44,9         | 51,3                | 55,6                | 0,51                         | 2,2               | 1,3                                  | 1,3                | 1,8                 | 2,2                  | 2,0              | 0,0028            | 17            |
| 172. | Sh 90L-10   | 0,37                 | 0,50 | 565         | 6,3          | 50,7         | 58,9                | 63,4                | 0,56                         | 2,6               | 1,6                                  | 1,5                | 1,9                 | 2,3                  | 2,15             | 0,0030            | 20            |
| 173. | Sg 100L-10A | 0,55                 | 0,75 | 570         | 9,2          | 39,8         | 49,2                | 55,0                | 0,44                         | 5,7               | 3,5                                  | 3,3                | 2,7                 | 3,1                  | 2,7              | 0,009             | 24            |
| 174. | Sg 100L-10B | 0,75                 | 1,0  | 560         | 12,8         | 44,6         | 54,1                | 56,8                | 0,54                         | 6,1               | 3,7                                  | 3,5                | 2,0                 | 3,0                  | 2,1              | 0,01              | 24,5          |
| 175. | Sg 112M-10  | 0,75                 | 1,0  | 550         | 13,0         | 42,6         | 52,1                | 71,3                | 0,65                         | 4,1               | 2,5                                  | 2,3                | 2,5                 | 3,1                  | 2,5              | 0,0177            | 33            |
| 176. | Sg 112M-10A | 1,1                  | 1,5  | 560         | 18,7         | 69,2         | 72,6                | 72,2                | 0,64                         | 6,0               | 3,4                                  | 3,4                | 1,3                 | 3,3                  | 1,8              | 0,0180            | 32            |
| 177. | Sg 132S-10  | 1,1                  | 1,5  | 565         | 18,6         | 53,4         | 68,2                | 77                  | 0,65                         | 5,5               | 3,3                                  | 3,2                | 1,2                 | 3,5                  | 1,6              | 0,025             | 52            |
| 178. | Sg 132S-10A | 1,5                  | 2,0  | 565         | 25,4         | 53,2         | 69,8                | 74                  | 0,60                         | 8,5               | 5,1                                  | 4,9                | 1,3                 | 3,7                  | 2,4              | 0,032             | 66            |
| 179. | Sg 132S-10B | 2,2                  | 3,0  | 560         | 37,5         | 43,1         | 62,9                | 75                  | 0,58                         | 12,7              | 7,7                                  | 7,3                | 1,4                 | 3,9                  | 2,5              | 0,04              | 72            |
| 180. | Sg 160L-10  | 5,5                  | 7,5  | 575         | 91,4         | 76,1         | 79,9                | 80,9                | 0,56                         | 30,5              | 18,4                                 | 17,5               | 1,9                 | 4,8                  | 2,6              | 0,096             | 125           |
| 181. | Sg 180L-10  | 7,5                  | 10,0 | 585         | 122          | 81,9         | 85,1                | 86                  | 0,58                         | 37,7              | 22,8                                 | 21,7               | 2,3                 | 5,1                  | 2,4              | 0,22              | 164           |
| 182. | 2Sg 200L10A | 7,5                  | 10   | 580         | 123          | 82,5         | 84                  | 85                  | 0,68                         | 32,5              | 19,7                                 | 18,7               | 1,7                 | 3,5                  | 2,1              | 0,4               | 240           |
| 183. | 2Sg 200L10B | 11                   | 15   | 590         | 178          | 84,7         | 86,7                | 87,5                | 0,68                         | 46,5              | 28,1                                 | 26,7               | 3,2                 | 5,9                  | 2,4              | 0,47              | 255           |
| 184. | 2Sg 225S10  | 13                   | 18   | 592         | 210          | 87,5         | 89,3                | 90,5                | 0,67                         | 54                | 32,5                                 | 31                 | 1,8                 | 3,8                  | 2                | 0,6               | 280           |
| 185. | 2Sg 225M10  | 15                   | 20   | 590         | 243          | 86           | 88                  | 89                  | 0,67                         | 63                | 38                                   | 36,5               | 2,8                 | 5,4                  | 2                | 0,76              | 315           |
| 186. | 2Sg 225M10z | 18,5                 | 25   | 590         | 299          | 84,3         | 87,1                | 87,7                | 0,64                         | 83                | 50                                   | 47,5               | 2,8                 | 5,5                  | 2,1              | 0,76              | 325           |
| 187. | 2Sg 250M10  | 22                   | 30   | 592         | 355          | 87,5         | 89,6                | 90                  | 0,70                         | 88                | 53                                   | 50                 | 3                   | 5,8                  | 2                | 1,27              | 430           |
| 188. | 2Sg 280S10A | 30                   | 40   | 586         | 489          | 85,3         | 87,3                | 88,8                | 0,71                         | 119               | 72                                   | 69                 | 2                   | 4,5                  | 1,7              | 1,35              | 525           |
| 189. | 2Sg 280S10B | 37                   | 50   | 583         | 606          | 87           | 90                  | 91                  | 0,75                         | 136               | 82                                   | 78                 | 1,9                 | 4,5                  | 1,5              | 1,61              | 565           |
| 190. | 2Sg 280M10  | 45                   | 60   | 587         | 732          | 88           | 90,5                | 91,6                | 0,76                         | 162               | 98                                   | 93                 | 2                   | 4,5                  | 1,6              | 2,03              | 630           |
| 191. | 2Sg 315S10  | 45                   | 60   | 588         | 731          | 91,5         | 91,5                | 92,1                | 0,71                         | 173               | 105                                  | 99                 | 2                   | 4,1                  | 2                | 2,16              | 720           |
| 192. | 2Sg 315S10z | 55                   | 75   | 583         | 901          | 88           | 90,5                | 91,5                | 0,75                         | 201               | 122                                  | 116                | 1,7                 | 4,7                  | 1,9              | 2,86              | 840           |
| 193. | 2Sg 315M10  | 75                   | 100  | 583         | 1229         | 88           | 90,5                | 91,5                | 0,75                         | 274               | 166                                  | 158                | 1,8                 | 4,9                  | 1,5              | 3,01              | 895           |
| 194. | Sh 400H10As | 200                  | 270  | 594         | 3216         | 94,4         | 95,1                | 95,0                | 0,82                         | -                 | -                                    | 371                | 1,0                 | 5,4                  | 2,5              | 25,6              | 3010          |
| 195. | Sh 400H10Bs | 250                  | 340  | 593         | 4019         | 94,6         | 95,2                | 95,1                | 0,82                         | -                 | -                                    | 463                | 1,1                 | 5,6                  | 2,4              | 28,5              | 3170          |
| 196. | Sh 400H10Cs | 315                  | 430  | 593         | 5073         | 95,1         | 95,5                | 95,4                | 0,82                         | -                 | -                                    | 581                | 1,1                 | 5,7                  | 2,4              | 32,2              | 3350          |
| 197. | Sh 450H10As | 355                  | 480  | 594         | 5708         | 94,9         | 95,6                | 95,5                | 0,81                         | -                 | -                                    | 384 <sup>2</sup>   | 1,0                 | 6,0                  | 2,3              | 53,9              | 4130          |
| 198. | Sh 450H10Bs | 400                  | 540  | 594         | 6431         | 94,9         | 95,6                | 95,6                | 0,81                         | -                 | -                                    | 432 <sup>2</sup>   | 1,1                 | 6,4                  | 2,3              | 58,3              | 4300          |
| 199. | Sh 500H10As | 450                  | 610  | 594         | 7235         | 95,0         | 95,7                | 95,6                | 0,81                         | -                 | -                                    | 486 <sup>2</sup>   | 1,4                 | 6,3                  | 2,1              | 74,1              | 5420          |
| 200. | Sh 500H10Bs | 500                  | 680  | 594         | 8039         | 95,1         | 95,8                | 95,7                | 0,82                         | -                 | -                                    | 533 <sup>2</sup>   | 1,5                 | 6,6                  | 2,2              | 85,5              | 5700          |
| 201. | Sh 500H10Cs | 560                  | 760  | 593         | 9019         | 95,4         | 95,9                | 95,8                | 0,82                         | -                 | -                                    | 597 <sup>2</sup>   | 1,3                 | 6,2                  | 2,0              | 94,2              | 5950          |
| 202. | Sh 500H10Ds | 630                  | 850  | 594         | 10129        | 95,3         | 95,8                | 95,8                | 0,82                         | -                 | -                                    | 671 <sup>2</sup>   | 1,7                 | 6,9                  | 2,2              | 108               | 6400          |

TECHNICAL DATA

<sup>2</sup> - at rated voltage 690 V

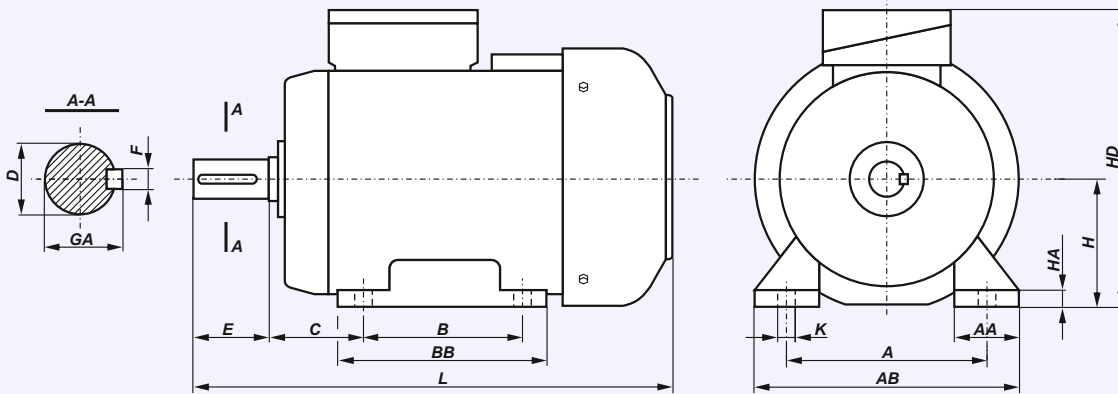


Totally Enclosed Motors IP 55

TECHNICAL DATA

| Item  | Type        | Rated output  |      | Rated speed<br>$n_N$<br>[min <sup>-1</sup> ] | Rated torque<br>$T_N$<br>[Nm] | Efficiency                     |              |      | Power factor<br>$\cos \varphi_N$<br>[-] | Full load current      |      |      | Locked rotor torque<br>$T_L/T_N$<br>[-] | Locked rotor current<br>$I_L/I_N$<br>[-] | Breakdown torque<br>$T_B/T_N$<br>[-] | Moment of inertia<br>J<br>[kgm <sup>2</sup> ] | Weight (IMB3)<br>m<br>[kg] |
|---|-------------|---------------|------|--|-------------------------------|--------------------------------|--------------|------|---|------------------------|------|------|---|--|--------------------------------------|---|----------------------------|
|   |             | $P_N$<br>[kW] | [HP] |  |                               | $\eta_N$ [%] at % of full load | 50% 75% 100% |      |   | $I_N$ at rated voltage |      |      |   |  |                                      |   |                            |
|   |             |               |      | [A] <sub>230V</sub>                          | [A] <sub>380V</sub>           | [A] <sub>400V</sub>            |              |      |   |                        |      |      |   |  |                                      |   |                            |
| <b>2p=12      n<sub>s</sub>=500 obr/min      f=50Hz</b> |             |               |      |  |                               |                                |              |      |   |                        |      |      |   |  |                                      |   |                            |
| 203.  | Sg 100L-12  | 0,55          | 0,75 | 450  | 11,7                          | 43,8                           | 51,4         | 54,4 | 0,53                                    | 4,8                    | 2,9  | 2,8  | 1,3                                     | 2,3                                      | 1,5                                  | 0,009   | 22                         |
| 204.  | Sg 112M-12  | 0,75          | 1,0  | 475  | 15,1                          | 54,3                           | 59,8         | 65,3 | 0,47                                    | 6,1                    | 3,7  | 3,5  | 1,5                                     | 3,0                                      | 2,5                                  | 0,0177  | 33                         |
| 205.  | Sg 132S-12  | 1,1           | 1,5  | 435  | 22,8                          | 62,3                           | 68,2         | 69,0 | 0,61                                    | 6,6                    | 4,0  | 3,8  | 1,0                                     | 2,8                                      | 1,6                                  | 0,025   | 54                         |
| 206.  | Sg 132M-12  | 1,5           | 2,0  | 465  | 30,8                          | 68,7                           | 70,2         | 72,0 | 0,57                                    | 9,2                    | 5,6  | 5,3  | 1,3                                     | 3,1                                      | 2,3                                  | 0,032   | 66                         |
| 207.  | Sg 132M-12B | 2,2           | 3,0  | 460  | 45,7                          | 68,5                           | 69,2         | 70,2 | 0,56                                    | 14                     | 8,5  | 8,1  | 1,2                                     | 3,0                                      | 1,8                                  | 0,04  | 72                         |
| 208.  | Sg 160M12   | 2,2           | 3,0  | 470  | 44,7                          | 69,0                           | 73,8         | 75,0 | 0,51                                    | 14,4                   | 8,7  | 8,3  | 1,4                                     | 3,4                                      | 2,4                                  | 0,072   | 100                        |
| 209.  | Sg 160L-12  | 3,0           | 4,0  | 480  | 59,7                          | 69,8                           | 75,0         | 78,5 | 0,51                                    | 18,8                   | 11,4 | 10,8 | 1,5                                     | 3,7                                      | 2,5                                  | 0,096   | 125                        |
| 210.  | Sg 180L-12  | 5,5           | 7,5  | 480  | 109,4                         | 68,8                           | 70,8         | 73,9 | 0,60                                    | 31,1                   | 18,8 | 17,9 | 1,1                                     | 2,8                                      | 1,5                                  | 0,22  | 170                        |
| 211.  | 2Sg 200L12  | 9             | 12   | 490  | 175                           | 75,3                           | 80,1         | 81,8 | 0,55                                    | 50                     | 30,5 | 28,9 | 2,7                                     | 4,3                                      | 2,5                                  | 0,47  | 255                        |
| 212.  | 2Sg 225S12  | 11            | 15   | 490  | 214                           | 85,0                           | 86,0         | 86,0 | 0,63                                    | 51                     | 31   | 29,3 | 1,7                                     | 3,5                                      | 1,7                                  | 0,58  | 315                        |
| 213.  | 2Sg 225M12  | 13            | 18   | 475  | 261                           | 82,2                           | 82,5         | 82,5 | 0,59                                    | 67                     | 40,5 | 38,5 | 1,7                                     | 3,5                                      | 1,7                                  | 0,68  | 350                        |
| 214.  | 2Sg 225M12z | 15            | 20   | 491  | 290                           | 80,5                           | 83,5         | 84,4 | 0,58                                    | 77                     | 46,5 | 44   | 2,7                                     | 4,6                                      | 1,8                                  | 0,68  | 350                        |
| 215.  | 2Sg 250M12  | 18,5          | 25   | 490  | 361                           | 84,0                           | 86,0         | 87,8 | 0,65                                    | 81                     | 49,5 | 47   | 1,7                                     | 3,5                                      | 1,8                                  | 1,27  | 430                        |
| 216.  | 2Sg 280S12  | 22            | 30   | 491  | 428                           | 86,9                           | 89,2         | 89,6 | 0,61                                    | 101                    | 61   | 58   | 2,3                                     | 4,5                                      | 1,8                                  | 1,47  | 535                        |
| 217.  | 2Sg 280M12  | 30            | 40   | 490  | 585                           | 85,6                           | 88,2         | 89,0 | 0,62                                    | 136                    | 83   | 78   | 1,8                                     | 3,5                                      | 1,8                                  | 1,8   | 570                        |
| 218.  | 2Sg 315S12  | 37            | 50   | 492  | 718                           | 87,5                           | 89,9         | 90,4 | 0,58                                    | 177                    | 107  | 102  | 2,6                                     | 4,5                                      | 1,9                                  | 2,29  | 730                        |
| 219.  | 2Sg 315M12A | 45            | 60   | 490  | 877                           | 87,9                           | 89,0         | 90,1 | 0,58                                    | 216                    | 131  | 124  | 2                                       | 3,5                                      | 1,8                                  | 2,86  | 870                        |
| 220.  | 2Sg 315M12B | 55            | 75   | 490  | 1072                          | 87,5                           | 90,0         | 89,5 | 0,58                                    | 266                    | 161  | 153  | 2,5                                     | 4,4                                      | 1,8                                  | 3,01  | 885                        |
| 221.  | Sh 450H12As | 160           | 220  | 494  | 3087                          | 93,8                           | 94,7         | 94,7 | 0,79                                    | -                      | -    | 308  | 0,8                                     | 5,6                                      | 2,6                                  | 30,0  | 3470                       |
| 222.  | Sh 450H12Bs | 200           | 270  | 495  | 3859                          | 94,4                           | 94,9         | 94,7 | 0,80                                    | -                      | -    | 381  | 0,9                                     | 5,7                                      | 2,3                                  | 33,7  | 3600                       |
| 223.  | Sh 450H12Cs | 250           | 340  | 492  | 4843                          | 94,7                           | 95,0         | 94,7 | 0,82                                    | -                      | -    | 465  | 0,8                                     | 5,0                                      | 2,1                                  | 40,0  | 3750                       |
| 224.  | Sh 450H12Ds | 315           | 430  | 493  | 6102                          | 94,9                           | 95,2         | 94,9 | 0,81                                    | -                      | -    | 592  | 0,8                                     | 5,1                                      | 2,3                                  | 34,7  | 4030                       |
| 225.  | Sh 450H12Es | 355           | 480  | 494  | 6863                          | 94,9                           | 95,2         | 95,1 | 0,80                                    | -                      | -    | 674  | 0,9                                     | 5,6                                      | 2,5                                  | 41,7  | 4330                       |
| 226.  | Sh 450H12Fs | 400           | 540  | 494  | 7733                          | 94,7                           | 95,4         | 95,2 | 0,80                                    | -                      | -    | 758  | 0,9                                     | 5,6                                      | 2,5                                  | 46,3  | 4530                       |
| 227.  | Sh 500H12Cs | 450           | 610  | 494  | 8699                          | 94,7                           | 95,3         | 95,3 | 0,81                                    | -                      | -    | 842  | 1,1                                     | 6,1                                      | 2,5                                  | 100   | 6090                       |
| 228.  | Sh 500H12Ds | 500           | 680  | 495  | 9647                          | 94,8                           | 95,4         | 95,4 | 0,81                                    | -                      | -    | 934  | 1,1                                     | 6,2                                      | 2,5                                  | 112   | 6370                       |
| 229.  | Sh 500H12Es | 560           | 760  | 495  | 10804                         | 94,9                           | 95,5         | 95,5 | 0,81                                    | -                      | -    | 1045 | 1,2                                     | 6,5                                      | 2,6                                  | 125   | 6680                       |
| <b>2p=16      n<sub>s</sub>=375 obr/min      f=50Hz</b> |             |               |      |  |                               |                                |              |      |   |                        |      |      |   |  |                                      |   |                            |
| 230.  | Sg 132S-16  | 0,55          | 0,75 | 335  | 15,7                          | 42,3                           | 49,8         | 52,4 | 0,58                                    | 4,5                    | 2,7  | 2,6  | 1,3                                     | 2,4                                      | 2,0                                  | 0,033   | 53                         |
| 231.  | Sg 132M-16A | 0,75          | 1,0  | 340  | 21,1                          | 45,2                           | 52,8         | 56,0 | 0,53                                    | 6,3                    | 3,8  | 3,6  | 1,5                                     | 2,7                                      | 1,9                                  | 0,044   | 65                         |
| 232.  | Sg 132M-16  | 1,1           | 1,5  | 335  | 31,2                          | 44,3                           | 51,5         | 53,8 | 0,55                                    | 9,3                    | 5,6  | 5,4  | 1,55                                    | 2,45                                     | 1,95                                 | 0,050   | 65                         |
| 233.  | Sg 160L-16  | 2,1           | 2,8  | 330  | 60,7                          | 60,4                           | 64,7         | 64,2 | 0,56                                    | 14,7                   | 8,9  | 8,4  | 1,3                                     | 2,5                                      | 1,7                                  | 0,102   | 115                        |
| 234.  | Sg 180L-16  | 4,0           | 5,4  | 355  | 107,6                         | 74,5                           | 74,5         | 75,1 | 0,49                                    | 27,3                   | 16,5 | 15,7 | 1,1                                     | 2,8                                      |                                      | 0,213   | 165                        |

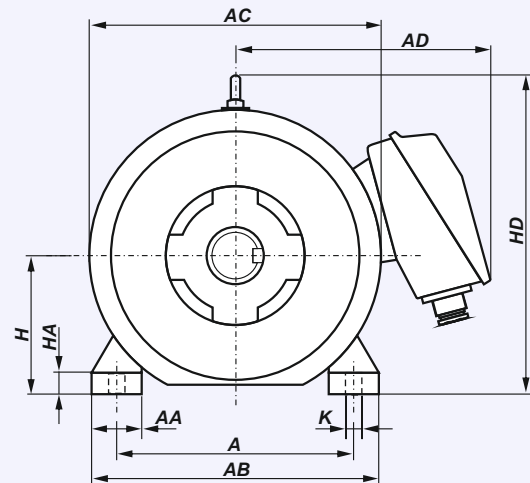
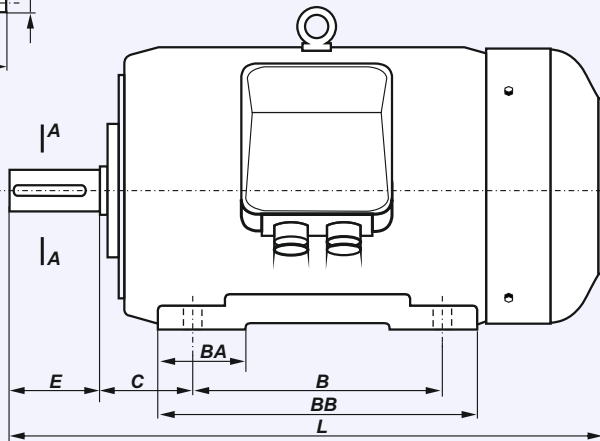
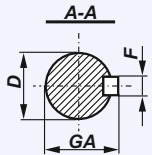
FOOT MOUNTED MOTORS - IM B3



| Motor type  | A   | B   | C   | D    | E   | F    | GA   | H   | HA  | K   | AA | AB  | BB  | HD  | L   |
|-------------|-----|-----|-----|------|-----|------|------|-----|-----|-----|----|-----|-----|-----|-----|
| Sh 56-2A    | 90  | 71  | 36  | 9j6  | 20  | 3h9  | 10,2 | 56  | 7   | 5,8 | 30 | 110 | 92  | 154 | 183 |
| Sh 56-4A    | 90  | 71  | 36  | 9j6  | 20  | 3h9  | 10,2 | 56  | 7   | 5,8 | 30 | 110 | 92  | 154 | 183 |
| Sh 56-2B    | 90  | 71  | 36  | 9j6  | 20  | 3h9  | 10,2 | 56  | 7   | 5,8 | 30 | 110 | 92  | 154 | 193 |
| Sh 56-4B    | 90  | 71  | 36  | 9j6  | 20  | 3h9  | 10,2 | 56  | 7   | 5,8 | 30 | 110 | 92  | 154 | 193 |
| Sh 56-6B    | 90  | 71  | 36  | 9j6  | 20  | 3h9  | 10,2 | 56  | 7   | 5,8 | 30 | 110 | 92  | 154 | 193 |
| Sh 63-A     | 100 | 80  | 40  | 11j6 | 23  | 4h9  | 12,5 | 63  | 8,5 | 7   | 36 | 124 | 106 | 165 | 200 |
| Sh 63-B     | 100 | 80  | 40  | 11j6 | 23  | 4h9  | 12,5 | 63  | 8,5 | 7   | 36 | 124 | 106 | 165 | 210 |
| Sh 71-A     | 112 | 90  | 45  | 14j6 | 30  | 5h9  | 16   | 71  | 8   | 7   | 45 | 142 | 116 | 182 | 223 |
| Sh 71-B     | 112 | 90  | 45  | 14j6 | 30  | 5h9  | 16   | 71  | 8   | 7   | 45 | 142 | 116 | 182 | 245 |
| Sh 80-A     | 125 | 100 | 50  | 19j6 | 40  | 6h9  | 21,5 | 80  | 9   | 10  | 55 | 160 | 130 | 199 | 266 |
| Sh 80-B     | 125 | 100 | 50  | 19j6 | 40  | 6h9  | 21,5 | 80  | 9   | 10  | 55 | 160 | 130 | 199 | 278 |
| Sh 90S ...  | 140 | 100 | 56  | 24j6 | 50  | 8h9  | 27   | 90  | 10  | 10  | 50 | 170 | 153 | 220 | 305 |
| Sh 90L ...  | 140 | 125 | 56  | 24j6 | 50  | 8h9  | 27   | 90  | 10  | 10  | 50 | 170 | 153 | 220 | 330 |
| Sg 100L ... | 160 | 140 | 63  | 28j6 | 60  | 8h9  | 31   | 100 | 14  | 12  | 45 | 200 | 172 | 240 | 376 |
| Sg 112M ... | 190 | 140 | 70  | 28j6 | 60  | 8h9  | 31   | 112 | 14  | 12  | 54 | 230 | 174 | 276 | 384 |
| Sg 132S ... | 216 | 140 | 89  | 38k6 | 80  | 10h9 | 41   | 132 | 16  | 12  | 56 | 278 | 182 | 310 | 463 |
| Sg 132S-2B  | 216 | 140 | 89  | 38k6 | 80  | 10h9 | 41   | 132 | 16  | 12  | 56 | 278 | 220 | 310 | 501 |
| Sg 132M ... | 216 | 178 | 89  | 38k6 | 80  | 10h9 | 41   | 132 | 16  | 12  | 56 | 278 | 220 | 310 | 501 |
| Sg 160M ... | 254 | 210 | 108 | 42k6 | 110 | 12h9 | 45   | 160 | 20  | 15  | 60 | 305 | 256 | 370 | 612 |
| Sg 160L ... | 254 | 254 | 108 | 42k6 | 110 | 12h9 | 45   | 160 | 20  | 15  | 60 | 305 | 300 | 370 | 656 |
| Sg 180M ... | 279 | 241 | 121 | 48k6 | 110 | 14h9 | 51,5 | 180 | 26  | 15  | 70 | 350 | 320 | 408 | 705 |
| Sg 180L ... | 279 | 279 | 121 | 48k6 | 110 | 14h9 | 51,5 | 180 | 26  | 15  | 70 | 350 | 320 | 408 | 705 |

DIMENSION DRAWINGS

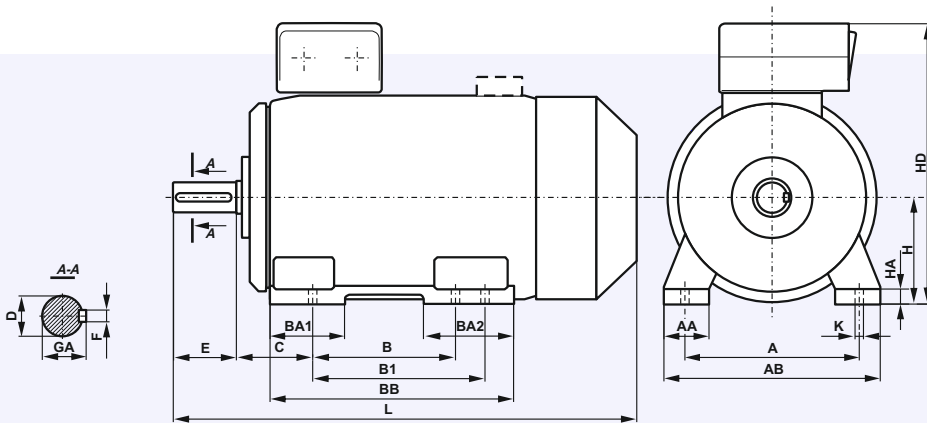
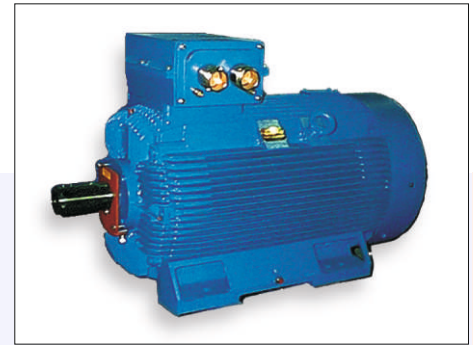
FOOT MOUNTED MOTORS - IM B3



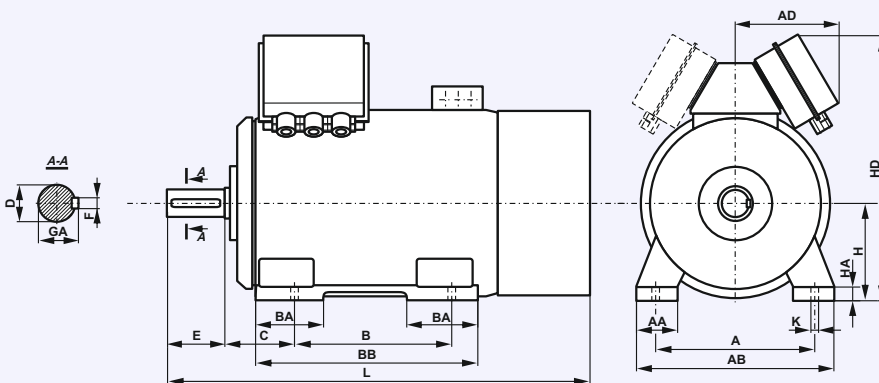
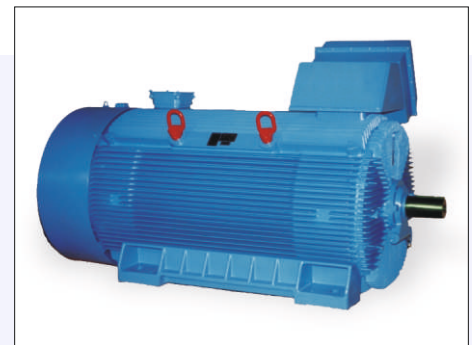
DIMENSION DRAWINGS

| Motor type  | A   | B   | C   | D     | E   | F    | GA   | H   | HA | K  | AA  | AB  | AC  | AD  | BA  | BB  | HD  | L    |
|-------------|-----|-----|-----|-------|-----|------|------|-----|----|----|-----|-----|-----|-----|-----|-----|-----|------|
| 2Sg 200 L.. | 318 | 305 | 133 | 55m6  | 110 | 16h9 | 59   | 200 | 32 | 19 | 80  | 400 | 450 | 355 | 100 | 380 | 485 | 825  |
| 2Sg 225 S.. | 356 | 286 | 149 | 60m6  | 140 | 18h9 | 64   | 225 | 34 | 19 | 85  | 445 | 505 | 375 | 110 | 355 | 535 | 865  |
| 2Sg 225 M2  | 356 | 311 | 149 | 55m6  | 110 | 16h9 | 59   | 225 | 34 | 19 | 85  | 445 | 505 | 375 | 110 | 380 | 535 | 860  |
| 2Sg 225 M.. | 356 | 311 | 149 | 60m6  | 140 | 18h9 | 64   | 225 | 34 | 19 | 85  | 445 | 505 | 375 | 110 | 380 | 535 | 890  |
| 2Sg 250 M2  | 406 | 349 | 168 | 60m6  | 140 | 18h9 | 64   | 250 | 36 | 24 | 90  | 495 | 540 | 415 | 120 | 420 | 590 | 965  |
| 2Sg 250 M.. | 406 | 349 | 168 | 65m6  | 140 | 18h9 | 69   | 250 | 36 | 24 | 90  | 495 | 540 | 415 | 120 | 420 | 590 | 965  |
| 2Sg 280 S2  | 457 | 368 | 190 | 65m6  | 140 | 18h9 | 69   | 280 | 40 | 24 | 100 | 560 | 620 | 450 | 165 | 520 | 660 | 1040 |
| 2Sg 280 S.. | 457 | 368 | 190 | 75m6  | 140 | 20h9 | 79,5 | 280 | 40 | 24 | 100 | 560 | 620 | 450 | 165 | 520 | 660 | 1040 |
| 2Sg 280 M2  | 457 | 419 | 190 | 65m6  | 140 | 18h9 | 69   | 280 | 40 | 24 | 100 | 560 | 620 | 450 | 165 | 520 | 660 | 1040 |
| 2Sg 280 M.. | 457 | 419 | 190 | 75m6  | 140 | 20h9 | 79,5 | 280 | 40 | 24 | 100 | 560 | 620 | 450 | 165 | 520 | 660 | 1040 |
| 2Sg 315 S2  | 508 | 406 | 216 | 65m6  | 140 | 18h9 | 69   | 315 | 46 | 28 | 105 | 610 | 620 | 450 | 190 | 560 | 695 | 1180 |
| 2Sg 315 S.. | 508 | 406 | 216 | 80m6  | 170 | 22h9 | 85   | 315 | 46 | 28 | 105 | 610 | 620 | 450 | 190 | 560 | 695 | 1210 |
| 2Sg 315 M2  | 508 | 457 | 216 | 65m6  | 140 | 18h9 | 69   | 315 | 46 | 28 | 105 | 610 | 620 | 450 | 190 | 560 | 695 | 1180 |
| 2Sg 315 M.. | 508 | 457 | 216 | 80m6  | 170 | 22h9 | 85   | 315 | 46 | 28 | 105 | 610 | 620 | 450 | 190 | 560 | 695 | 1210 |
| Sg 355 S..  | 610 | 500 | 254 | 100m6 | 210 | 28h9 | 106  | 355 | 50 | 28 | 158 | 720 | 764 | 587 | 170 | 600 | 848 | 1394 |
| Sg 355 M..  | 610 | 560 | 254 | 100m6 | 210 | 28h9 | 106  | 355 | 50 | 28 | 158 | 720 | 764 | 587 | 205 | 730 | 848 | 1454 |

**FOOT MOUNTED MOTORS - IM B3**



| Motor type | Poles | Dimensions (mm) |     |     |     |     |     |    |      |     |    |    |     |     |     |     |      |     |      |  |
|------------|-------|-----------------|-----|-----|-----|-----|-----|----|------|-----|----|----|-----|-----|-----|-----|------|-----|------|--|
|            |       | A               | B   | B1  | C   | D   | E   | F  | GA   | H   | HA | K  | AA  | AB  | BA1 | BA2 | BB   | HD  | L    |  |
| SEE 315ML  | 4+6   | 508             | 457 | 508 | 216 | 80  | 170 | 22 | 85   | 315 | 40 | 28 | 120 | 620 | 150 | 180 | 637  | 865 | 1345 |  |
| SEE 355... | 2     | 610             | 560 | 630 | 254 | 80  | 170 | 22 | 85   | 355 | 50 | 28 | 150 | 720 | 250 | 300 | 890  | 935 | 1580 |  |
| SEE 355... | 4+8   | 610             | 560 | 630 | 254 | 100 | 210 | 28 | 106  | 355 | 50 | 28 | 150 | 720 | 250 | 300 | 890  | 935 | 1620 |  |
| Sh 355...s | 2     | 610             | 900 | -   | 200 | 70  | 140 | 20 | 74,5 | 355 | 45 | 28 | 160 | 730 | 265 | 265 | 1045 | 995 | 1800 |  |
| Sh 355...s | 4+8   | 610             | 900 | -   | 200 | 100 | 210 | 28 | 106  | 355 | 45 | 28 | 160 | 730 | 265 | 265 | 1045 | 995 | 1870 |  |



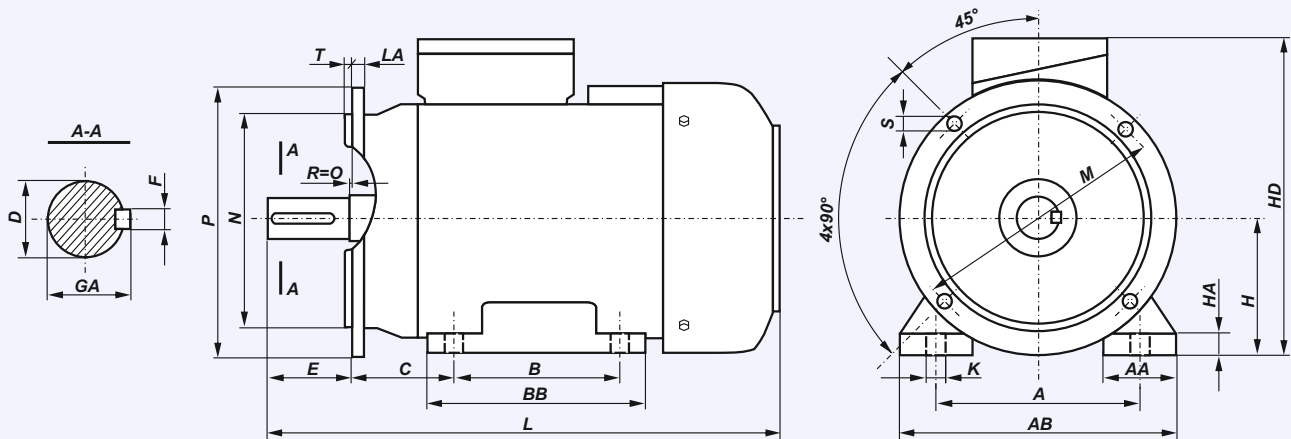
| Motor type | Poles | Dimensions (mm) |      |     |     |     |    |     |     |    |    |     |      |     |     |      |      |      |
|------------|-------|-----------------|------|-----|-----|-----|----|-----|-----|----|----|-----|------|-----|-----|------|------|------|
|            |       | A               | B    | C   | D   | E   | F  | GA  | H   | HA | K  | AA  | AB   | AD  | BA  | BB   | HD   | L    |
| Sh 400...s | 2     | 686             | 1000 | 224 | 80  | 170 | 22 | 85  | 400 | 50 | 35 | 175 | 840  | 520 | 265 | 1160 | 1255 | 1980 |
| Sh 400...s | 4+8   | 686             | 1000 | 224 | 110 | 210 | 28 | 116 | 400 | 50 | 35 | 175 | 840  | 520 | 265 | 1160 | 1255 | 1960 |
| Sh 450...s | 4+12  | 750             | 1120 | 254 | 110 | 210 | 28 | 116 | 450 | 60 | 35 | 205 | 940  | 560 | 340 | 1320 | 1356 | 2105 |
| Sh 500...s | 4+10  | 850             | 1250 | 280 | 120 | 210 | 32 | 127 | 500 | 70 | 42 | 223 | 1050 | 560 | 300 | 1450 | 1470 | 2430 |

DIMENSION DRAWINGS

FOOT/FLANGE MOUNTED MOTORS - IM B35



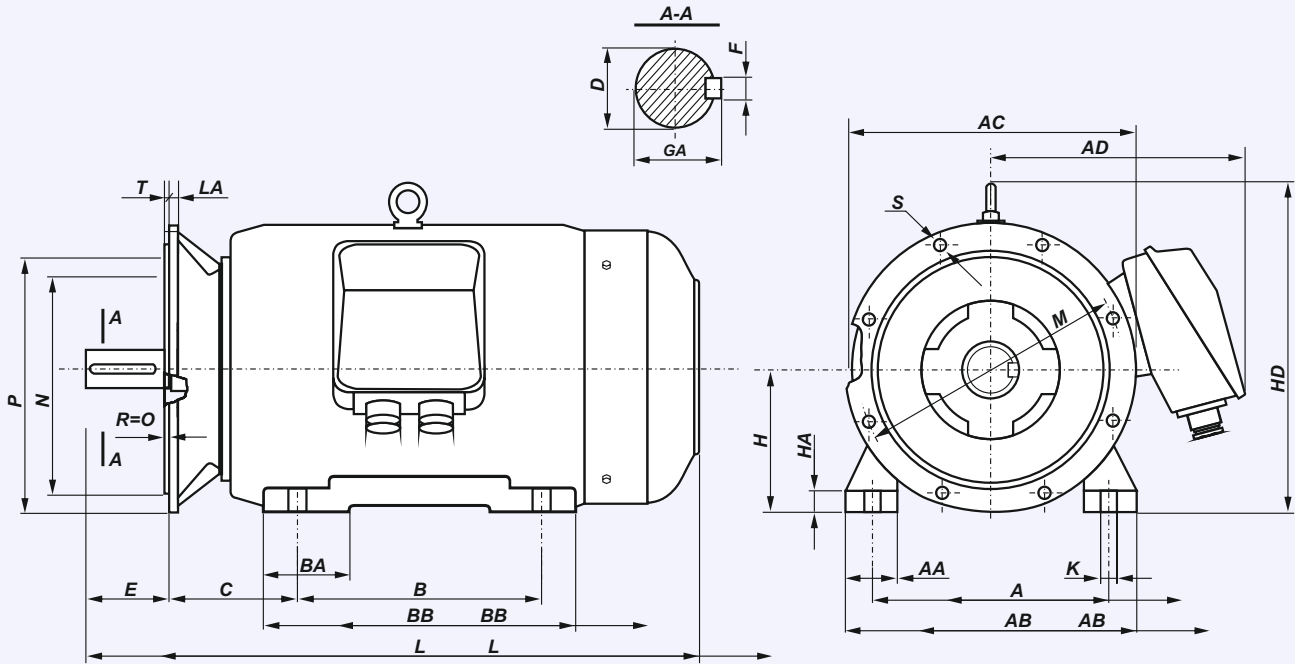
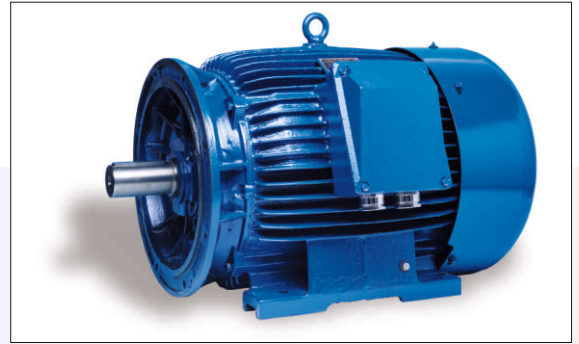
DIMENSION DRAWINGS



| Motor type   | A   | B   | C   | D    | E   | F    | GA   | H   | HA  | K  | AA | AB  | BB  | HD  | L   | LA | M   | N     | P   | T   | S  |
|--------------|-----|-----|-----|------|-----|------|------|-----|-----|----|----|-----|-----|-----|-----|----|-----|-------|-----|-----|----|
| SLh 56-2A    | 90  | 71  | 36  | 9j6  | 20  | 3h9  | 10,2 | 56  | 7   | 8  | 30 | 110 | 92  | 154 | 183 | 8  | 100 | 80j6  | 120 | 3   | 7  |
| SLh 56-4A    | 90  | 71  | 36  | 9j6  | 20  | 3h9  | 10,2 | 56  | 7   | 8  | 30 | 110 | 92  | 154 | 183 | 8  | 100 | 80j6  | 120 | 3   | 7  |
| SLh 56-2B    | 90  | 71  | 36  | 9j6  | 20  | 3h9  | 10,2 | 56  | 7   | 8  | 30 | 110 | 92  | 154 | 193 | 8  | 100 | 80j6  | 120 | 3   | 7  |
| SLh 56-4B    | 90  | 71  | 36  | 9j6  | 20  | 3h9  | 10,2 | 56  | 7   | 8  | 30 | 110 | 92  | 154 | 193 | 8  | 100 | 80j6  | 120 | 3   | 7  |
| SLh 56-6B    | 90  | 71  | 36  | 9j6  | 20  | 3h9  | 10,2 | 56  | 7   | 8  | 30 | 110 | 92  | 154 | 193 | 8  | 100 | 80j6  | 120 | 3   | 7  |
| SLh 63- .A   | 100 | 80  | 40  | 11j6 | 23  | 4h9  | 12,5 | 63  | 8,5 | 10 | 36 | 124 | 106 | 165 | 200 | 9  | 115 | 95j6  | 140 | 3   | 10 |
| SLh 63- .B   | 100 | 80  | 40  | 11j6 | 23  | 4h9  | 12,5 | 63  | 8,5 | 10 | 36 | 124 | 106 | 165 | 210 | 9  | 115 | 95j6  | 140 | 3   | 10 |
| SLh 71- .A   | 112 | 90  | 45  | 14j6 | 30  | 5h9  | 16   | 71  | 8   | 10 | 45 | 142 | 116 | 182 | 223 | 9  | 130 | 110j6 | 160 | 3,5 | 10 |
| SLh 71- .B   | 112 | 90  | 45  | 14j6 | 30  | 5h9  | 16   | 71  | 8   | 10 | 45 | 142 | 116 | 182 | 245 | 9  | 130 | 110j6 | 160 | 3,5 | 10 |
| SLh 80- .A   | 125 | 100 | 50  | 19j6 | 40  | 6h9  | 21,5 | 80  | 9   | 10 | 55 | 160 | 130 | 199 | 266 | 10 | 165 | 130j6 | 200 | 3,5 | 12 |
| SLh 80- .B   | 125 | 100 | 50  | 19j6 | 40  | 6h9  | 21,5 | 80  | 9   | 10 | 55 | 160 | 130 | 199 | 278 | 10 | 165 | 130j6 | 200 | 3,5 | 12 |
| SLh 90S ...  | 140 | 100 | 56  | 24j6 | 50  | 8h9  | 27   | 90  | 10  | 10 | 50 | 170 | 153 | 220 | 305 | 8  | 165 | 130j6 | 200 | 3,5 | 12 |
| SLh 90L ...  | 140 | 125 | 56  | 24j6 | 50  | 8h9  | 27   | 90  | 10  | 10 | 50 | 170 | 153 | 220 | 330 | 8  | 165 | 130j6 | 200 | 3,5 | 12 |
| SLg 100L ... | 160 | 140 | 63  | 28j6 | 60  | 8h9  | 31   | 100 | 14  | 12 | 45 | 200 | 172 | 240 | 376 | 11 | 215 | 180j6 | 250 | 4   | 15 |
| SLg 112M ... | 190 | 140 | 70  | 28j6 | 60  | 8h9  | 31   | 112 | 14  | 12 | 54 | 230 | 174 | 276 | 384 | 12 | 215 | 180j6 | 250 | 4   | 15 |
| SLg 132S ... | 216 | 140 | 89  | 38k6 | 80  | 10h9 | 41   | 132 | 16  | 12 | 56 | 278 | 182 | 310 | 463 | 12 | 265 | 230j6 | 300 | 4   | 15 |
| SLg 132S-2B  | 216 | 140 | 89  | 38k6 | 80  | 10h9 | 41   | 132 | 16  | 12 | 56 | 278 | 220 | 310 | 501 | 12 | 265 | 230j6 | 300 | 4   | 15 |
| SLg 132M ... | 216 | 178 | 89  | 38k6 | 80  | 10h9 | 41   | 132 | 16  | 12 | 56 | 278 | 220 | 310 | 501 | 12 | 265 | 230j6 | 300 | 4   | 15 |
| SLg 160M ... | 254 | 210 | 108 | 42k6 | 110 | 12h9 | 45   | 160 | 20  | 15 | 60 | 305 | 256 | 370 | 612 | 13 | 300 | 250j6 | 350 | 5   | 19 |
| SLg 160L ... | 254 | 254 | 108 | 42k6 | 110 | 12h9 | 45   | 160 | 20  | 15 | 60 | 305 | 300 | 370 | 656 | 13 | 300 | 250j6 | 350 | 5   | 19 |
| SLg 180M ... | 279 | 241 | 121 | 48k6 | 110 | 14h9 | 51,5 | 180 | 26  | 15 | 70 | 350 | 320 | 408 | 705 | 13 | 300 | 250j6 | 350 | 5   | 19 |
| SLg 180L ... | 279 | 279 | 121 | 48k6 | 110 | 14h9 | 51,5 | 180 | 26  | 15 | 70 | 350 | 320 | 408 | 705 | 13 | 300 | 250j6 | 350 | 5   | 19 |



FOOT/FLANGE MOUNTED MOTORS - IM B35

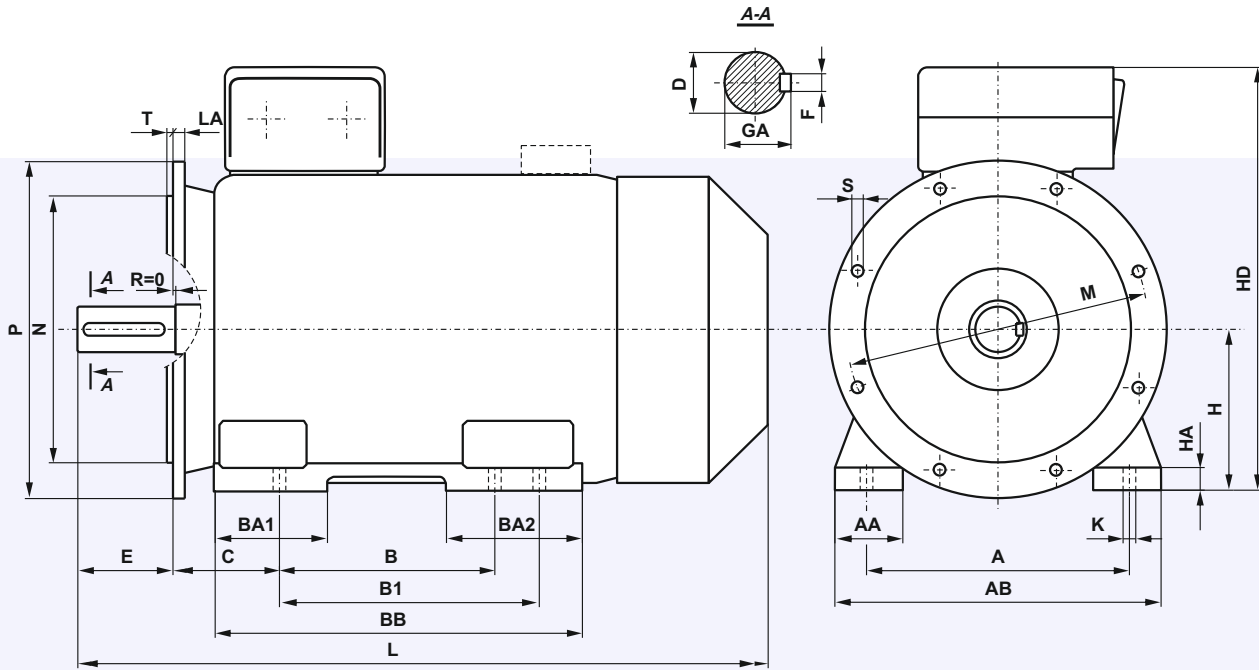


| Motor type   | A   | B   | C   | D     | E   | F    | GA   | H   | HA | K  | AA  | AB  | AC  | AD  | BA  | BB  | HD  | L    | LA   | M   | N      | P   | T | S  |   |
|--------------|-----|-----|-----|-------|-----|------|------|-----|----|----|-----|-----|-----|-----|-----|-----|-----|------|------|-----|--------|-----|---|----|---|
| 2SLg 200 L.. | 318 | 305 | 133 | 55m6  | 110 | 16h9 | 59   | 200 | 32 | 19 | 80  | 400 | 450 | 355 | 100 | 380 | 485 | 825  | 16,5 | 350 | 300j6  | 400 | 5 | 18 | 4 |
| 2SLg 225 S.. | 356 | 286 | 149 | 60m6  | 140 | 18h9 | 64   | 225 | 34 | 19 | 85  | 445 | 505 | 375 | 110 | 355 | 535 | 870  | 18   | 400 | 350j6  | 450 | 5 | 18 | 8 |
| 2SLg 225 M2  | 356 | 311 | 149 | 55m6  | 110 | 16h9 | 59   | 225 | 34 | 19 | 85  | 445 | 505 | 375 | 110 | 380 | 535 | 865  | 18   | 400 | 350j6  | 450 | 5 | 18 | 8 |
| 2SLg 225 M.. | 356 | 311 | 149 | 60m6  | 140 | 18h9 | 64   | 225 | 34 | 19 | 85  | 445 | 505 | 375 | 110 | 380 | 535 | 895  | 18   | 400 | 350j6  | 450 | 5 | 18 | 8 |
| 2SLg 250 M2  | 406 | 349 | 168 | 60m6  | 140 | 18h9 | 64   | 250 | 36 | 24 | 90  | 495 | 540 | 415 | 120 | 420 | 590 | 965  | 19   | 500 | 450j6  | 550 | 5 | 18 | 8 |
| 2SLg 250 M.. | 406 | 349 | 168 | 65m6  | 140 | 18h9 | 69   | 250 | 36 | 24 | 90  | 495 | 540 | 415 | 120 | 420 | 590 | 965  | 19   | 500 | 450j6  | 550 | 5 | 18 | 8 |
| 2SLg 280 S2  | 457 | 368 | 190 | 65m6  | 140 | 18h9 | 69   | 280 | 40 | 24 | 100 | 560 | 620 | 450 | 165 | 520 | 660 | 1040 | 20   | 500 | 450j6  | 550 | 5 | 18 | 8 |
| 2SLg 280 S.. | 457 | 368 | 190 | 75m6  | 140 | 20h9 | 79,5 | 280 | 40 | 24 | 100 | 560 | 620 | 450 | 165 | 520 | 660 | 1040 | 20   | 500 | 450j6  | 550 | 5 | 18 | 8 |
| 2SLg 280 M2  | 457 | 419 | 190 | 65m6  | 140 | 18h9 | 69   | 280 | 40 | 24 | 100 | 560 | 620 | 450 | 165 | 520 | 660 | 1040 | 20   | 500 | 450j6  | 550 | 5 | 18 | 8 |
| 2SLg 280 M.. | 457 | 419 | 190 | 75m6  | 140 | 20h9 | 79,5 | 280 | 40 | 24 | 100 | 560 | 620 | 450 | 165 | 520 | 660 | 1040 | 20   | 500 | 450j6  | 550 | 5 | 18 | 8 |
| 2SLg 315 S2  | 508 | 406 | 216 | 65m6  | 140 | 18h9 | 69   | 315 | 46 | 28 | 105 | 610 | 620 | 450 | 190 | 560 | 695 | 1180 | 22   | 600 | 550js6 | 660 | 6 | 22 | 8 |
| 2SLg 315 S.. | 508 | 406 | 216 | 80m6  | 170 | 22h9 | 85   | 315 | 46 | 28 | 105 | 610 | 620 | 450 | 190 | 560 | 695 | 1210 | 22   | 600 | 550js6 | 660 | 6 | 22 | 8 |
| 2SLg 315 M2  | 508 | 457 | 216 | 65m6  | 140 | 18h9 | 69   | 315 | 46 | 28 | 105 | 610 | 620 | 450 | 190 | 560 | 695 | 1180 | 22   | 600 | 550js6 | 660 | 6 | 22 | 8 |
| 2SLg 315 M.. | 508 | 457 | 216 | 80m6  | 170 | 22h9 | 85   | 315 | 46 | 28 | 105 | 610 | 620 | 450 | 190 | 560 | 695 | 1210 | 22   | 600 | 550js6 | 660 | 6 | 22 | 8 |
| SLg 355 S..  | 610 | 500 | 254 | 100m6 | 210 | 28h9 | 106  | 355 | 50 | 28 | 158 | 720 | 764 | 587 | 170 | 600 | 848 | 1394 | 24   | 740 | 680    | 800 | 6 | 24 | 8 |
| SLg 355 M..  | 610 | 560 | 254 | 100m6 | 210 | 28h9 | 106  | 355 | 50 | 28 | 158 | 720 | 764 | 587 | 205 | 730 | 848 | 1454 | 24   | 740 | 680    | 800 | 6 | 24 | 8 |

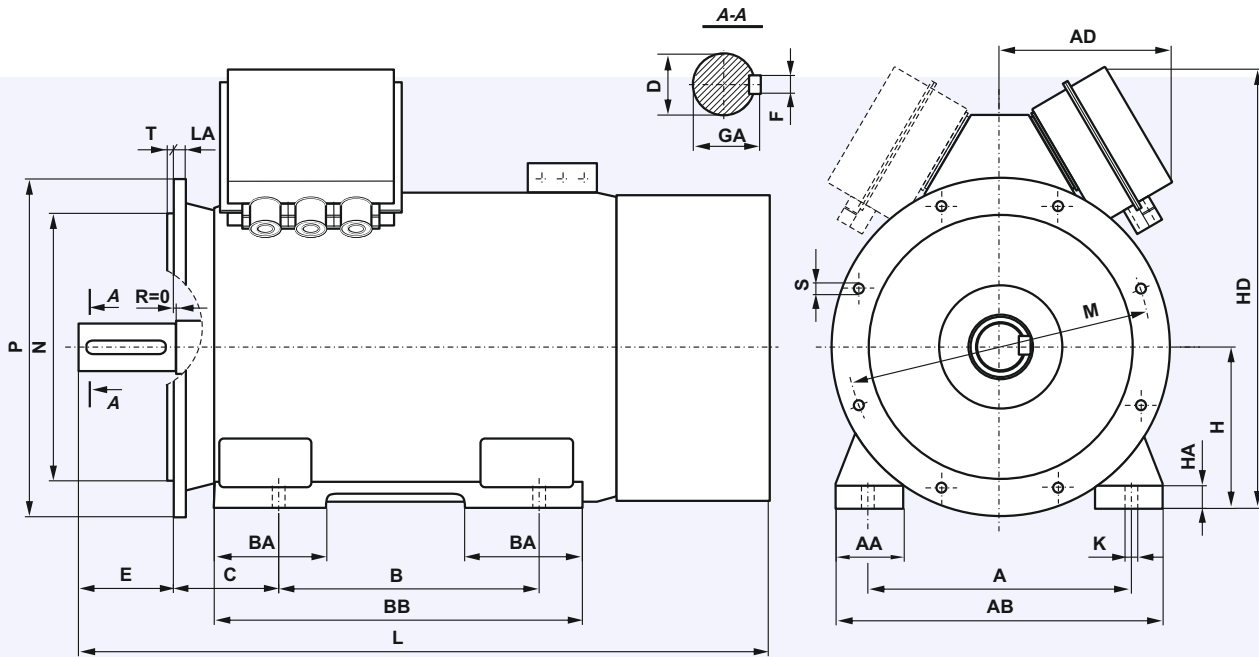
DIMENSION DRAWINGS

FOOT/FLANGE MOUNTED MOTORS - IM B35

DIMENSION DRAWINGS

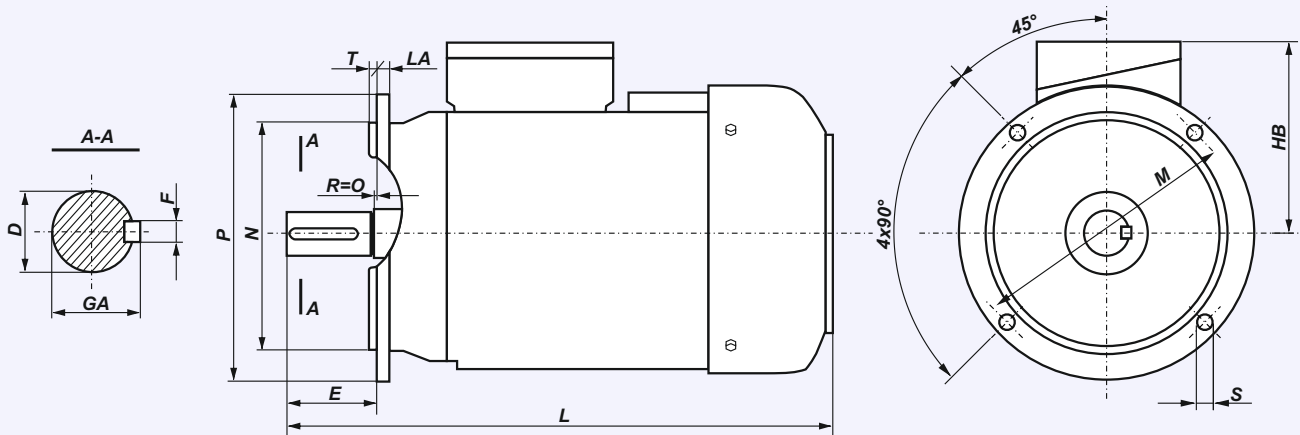


| Type of motor | Poles | Dimensions |     |     |     |     |     |    |      |     |    |    |     |     |     |     |      |     |      |    |     |     |     |    |   |
|---------------|-------|------------|-----|-----|-----|-----|-----|----|------|-----|----|----|-----|-----|-----|-----|------|-----|------|----|-----|-----|-----|----|---|
|               |       | A          | B   | B1  | C   | D   | E   | F  | GA   | H   | HA | K  | AA  | AB  | BA1 | BA2 | BB   | HD  | L    | LA | M   | N   | P   | S  | T |
| SLEE 315ML    | 4+6   | 508        | 457 | 508 | 216 | 80  | 170 | 22 | 85   | 315 | 40 | 28 | 120 | 620 | 150 | 180 | 637  | 865 | 1345 | 22 | 600 | 550 | 660 | 22 | 6 |
| SLEE 355...   | 2     | 610        | 560 | 630 | 254 | 80  | 170 | 22 | 85   | 355 | 50 | 28 | 150 | 720 | 250 | 300 | 890  | 935 | 1580 | 24 | 740 | 680 | 800 | 22 | 6 |
| SLEE 355...   | 4+8   | 610        | 560 | 630 | 254 | 100 | 210 | 28 | 106  | 355 | 50 | 28 | 150 | 720 | 250 | 300 | 890  | 935 | 1620 | 24 | 740 | 680 | 800 | 22 | 6 |
| SLh 355...s   | 2     | 610        | 900 | -   | 254 | 70  | 140 | 20 | 74.5 | 355 | 45 | 28 | 160 | 730 | 265 | 265 | 1045 | 995 | 1854 | 24 | 740 | 680 | 800 | 22 | 6 |
| SLh 355...s   | 4+8   | 610        | 900 | -   | 254 | 100 | 210 | 28 | 106  | 355 | 45 | 28 | 160 | 730 | 265 | 265 | 1045 | 995 | 1924 | 24 | 740 | 680 | 800 | 22 | 6 |



| Type of motor | Poles | Dimensions |      |     |     |     |    |     |     |    |    |     |      |     |     |      |      |      |    |      |      |      |    |   |
|---------------|-------|------------|------|-----|-----|-----|----|-----|-----|----|----|-----|------|-----|-----|------|------|------|----|------|------|------|----|---|
|               |       | A          | B    | C   | D   | E   | F  | GA  | H   | HA | K  | AA  | AB   | AD  | BA  | BB   | HD   | L    | LA | M    | N    | P    | S  | T |
| SLh 400...s   | 2     | 686        | 1000 | 280 | 80  | 170 | 22 | 85  | 400 | 50 | 35 | 175 | 840  | 520 | 265 | 1160 | 1255 | 2031 | 30 | 940  | 880  | 1000 | 25 | 6 |
| SLh 400...s   | 4+8   | 686        | 1000 | 280 | 110 | 210 | 28 | 116 | 400 | 50 | 35 | 175 | 840  | 520 | 265 | 1160 | 1255 | 2016 | 30 | 940  | 880  | 1000 | 25 | 6 |
| SLh 450...s   | 4+12  | 750        | 1120 | 315 | 110 | 210 | 28 | 116 | 450 | 60 | 35 | 205 | 940  | 560 | 340 | 1320 | 1356 | 2162 | 30 | 1080 | 1000 | 1150 | 28 | 6 |
| SLh 500...s   | 4+10  | 850        | 1250 | 355 | 120 | 210 | 32 | 127 | 500 | 70 | 42 | 223 | 1050 | 560 | 300 | 1450 | 1470 | 2505 | 30 | 1080 | 1000 | 1150 | 28 | 6 |

General Purpose 3-Phase Induction Motors  
**FLANGE MOUNTED MOTORS - IM B5**



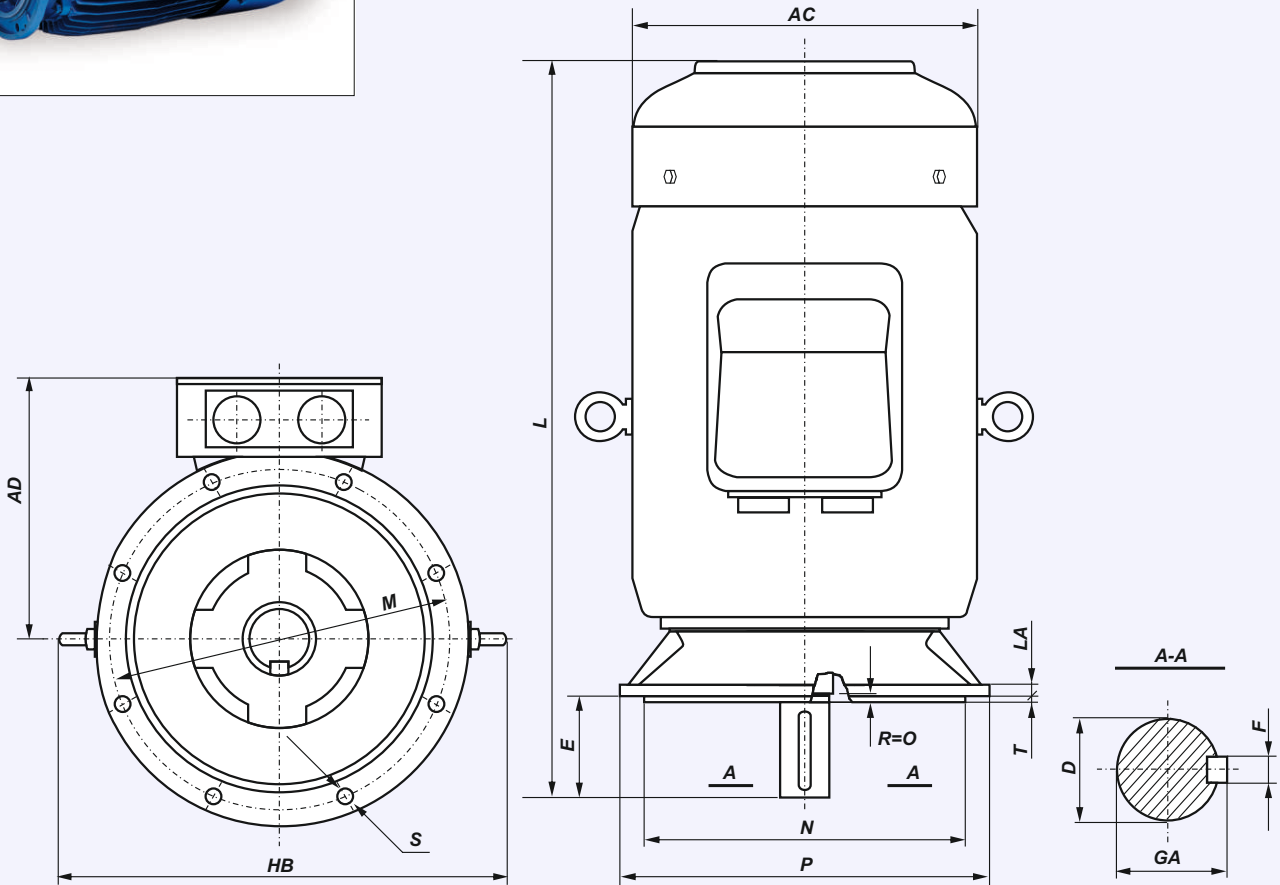
| Type of motor | D    | E   | F    | GA   | M   | N     | P   | LA | T   | S  | HB  | L   |
|---------------|------|-----|------|------|-----|-------|-----|----|-----|----|-----|-----|
| SKh 56-2A     | 9j6  | 20  | 3h9  | 10,2 | 100 | 80j6  | 120 | 8  | 3   | 7  | 98  | 183 |
| SKh 56-4A     | 9j6  | 20  | 3h9  | 10,2 | 100 | 80j6  | 120 | 8  | 3   | 7  | 98  | 183 |
| SKh 56-2B     | 9j6  | 20  | 3h9  | 10,2 | 100 | 80j6  | 120 | 8  | 3   | 7  | 98  | 193 |
| SKh 56-4B     | 9j6  | 20  | 3h9  | 10,2 | 100 | 80j6  | 120 | 8  | 3   | 7  | 98  | 193 |
| SKh 56-6B     | 9j6  | 20  | 3h9  | 10,2 | 100 | 80j6  | 120 | 8  | 3   | 7  | 98  | 193 |
| SKh 63- .A    | 11j6 | 23  | 4h9  | 12,5 | 115 | 95j6  | 140 | 9  | 3   | 10 | 102 | 200 |
| SKh 63- .B    | 11j6 | 23  | 4h9  | 12,5 | 115 | 95j6  | 140 | 9  | 3   | 10 | 102 | 210 |
| SKh 71- .A    | 14j6 | 30  | 5h9  | 16   | 130 | 110j6 | 160 | 9  | 3,5 | 10 | 111 | 223 |
| SKh 71- .B    | 14j6 | 30  | 5h9  | 16   | 130 | 110j6 | 160 | 9  | 3,5 | 10 | 111 | 245 |
| SKh 80- .A    | 19j6 | 40  | 6h9  | 21,5 | 165 | 130j6 | 200 | 10 | 3,5 | 12 | 119 | 266 |
| SKh 80- .B    | 19j6 | 40  | 6h9  | 21,5 | 165 | 130j6 | 200 | 10 | 3,5 | 12 | 119 | 278 |
| SKh 90S ...   | 24j6 | 50  | 8h9  | 27   | 165 | 130j6 | 200 | 8  | 3,5 | 12 | 130 | 305 |
| SKh 90L ...   | 24j6 | 50  | 8h9  | 27   | 165 | 130j6 | 200 | 8  | 3,5 | 12 | 130 | 330 |
| SKg 100L ...  | 28j6 | 60  | 8h9  | 31   | 215 | 180j6 | 250 | 11 | 4   | 15 | 140 | 376 |
| SKg 112M ...  | 28j6 | 60  | 8h9  | 31   | 215 | 180j6 | 250 | 12 | 4   | 15 | 164 | 384 |
| SKg 132S ...  | 38k6 | 80  | 10h9 | 41   | 265 | 230j6 | 300 | 12 | 4   | 15 | 178 | 463 |
| SKg 132S-2B   | 38k6 | 80  | 10h9 | 41   | 265 | 230j6 | 300 | 12 | 4   | 15 | 178 | 501 |
| SKg 132M ...  | 38k6 | 80  | 10h9 | 41   | 265 | 230j6 | 300 | 12 | 4   | 15 | 178 | 501 |
| SKg 160M ...  | 42k6 | 110 | 12h9 | 45   | 300 | 250j6 | 350 | 13 | 5   | 19 | 210 | 612 |
| SKg 160L ...  | 42k6 | 110 | 12h9 | 45   | 300 | 250j6 | 350 | 13 | 5   | 19 | 210 | 656 |
| SKg 180M ...  | 48k6 | 110 | 14h9 | 51,5 | 300 | 250j6 | 350 | 13 | 5   | 19 | 228 | 705 |
| SKg 180L ...  | 48k6 | 110 | 14h9 | 51,5 | 300 | 250j6 | 350 | 13 | 5   | 19 | 228 | 705 |

DIMENSION DRAWINGS

FLANGE MOUNTED MOTORS - IM B5, IM V1



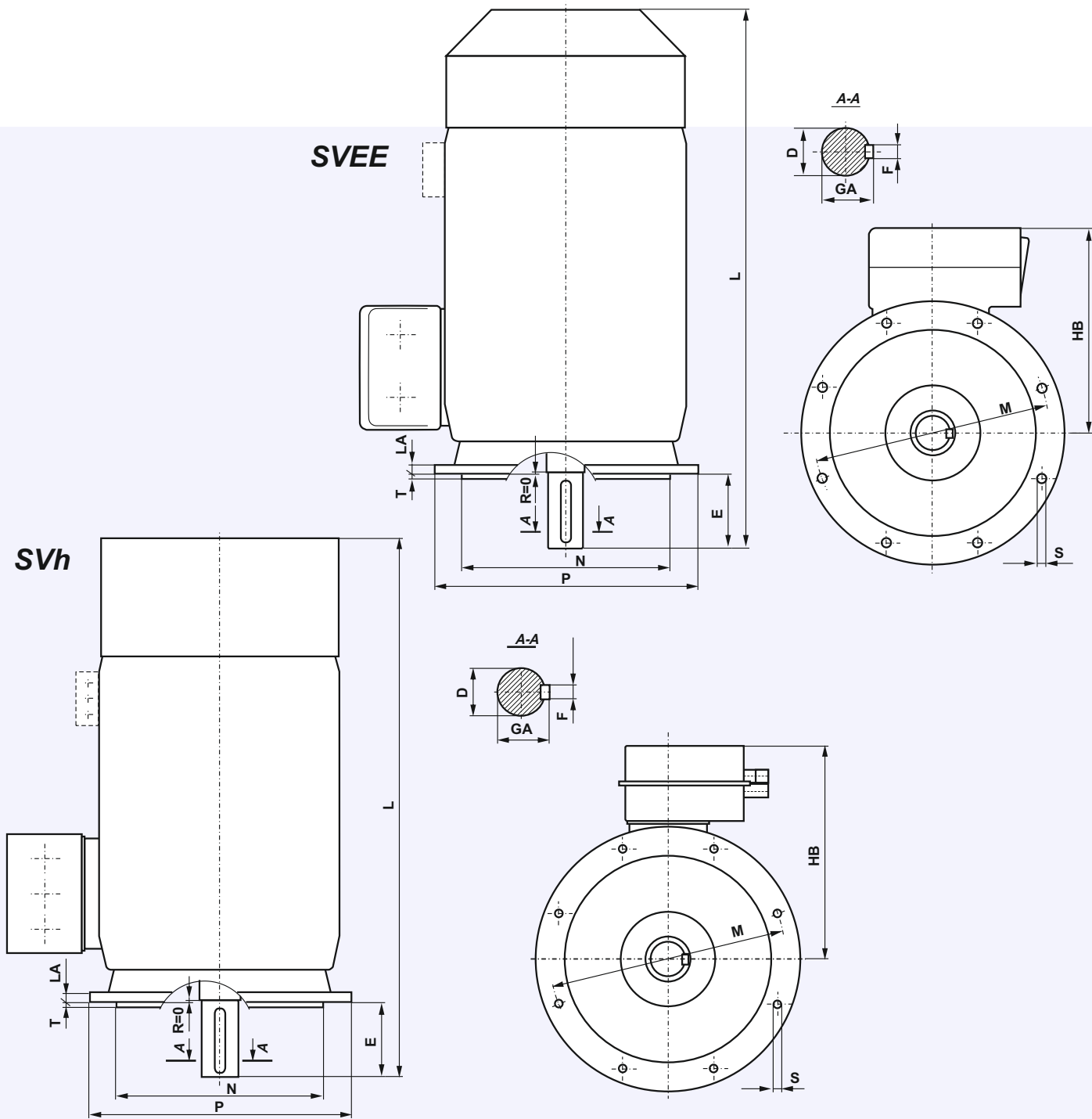
DIMENSION DRAWINGS



| Motor type    | D     | E   | F    | GA   | AC  | AD  | HB  | L    | LA   | M   | N      | P   | T | S  |   |
|---------------|-------|-----|------|------|-----|-----|-----|------|------|-----|--------|-----|---|----|---|
| 2SKg 200 L... | 55m6  | 110 | 16h9 | 59   | 450 | 355 | 570 | 825  | 16,5 | 350 | 300j6  | 400 | 5 | 18 | 4 |
| 2SKg 225 S... | 60m6  | 140 | 18h9 | 64   | 505 | 375 | 620 | 870  | 18   | 400 | 350j6  | 450 | 5 | 18 | 8 |
| 2SKg 225 M2   | 55m6  | 110 | 16h9 | 59   | 505 | 375 | 620 | 865  | 18   | 400 | 350j6  | 450 | 5 | 18 | 8 |
| 2SKg 225 M... | 60m6  | 140 | 18h9 | 64   | 505 | 375 | 620 | 895  | 18   | 400 | 350j6  | 450 | 5 | 18 | 8 |
| 2SKg 250 M2   | 60m6  | 140 | 18h9 | 64   | 540 | 415 | 675 | 965  | 19   | 500 | 450j6  | 550 | 5 | 18 | 8 |
| 2SKg 250 M... | 65m6  | 140 | 18h9 | 69   | 540 | 415 | 675 | 965  | 19   | 500 | 450j6  | 550 | 5 | 18 | 8 |
| 2SKg 280 S2   | 65m6  | 140 | 18h9 | 69   | 620 | 450 | 755 | 1040 | 20   | 500 | 450j6  | 550 | 5 | 18 | 8 |
| 2SKg 280 S... | 75m6  | 140 | 20h9 | 79,5 | 620 | 450 | 755 | 1040 | 20   | 500 | 450j6  | 550 | 5 | 18 | 8 |
| 2SKg 280 M2   | 65m6  | 140 | 18h9 | 69   | 620 | 450 | 755 | 1040 | 20   | 500 | 450j6  | 550 | 5 | 18 | 8 |
| 2SKg 280 M... | 75m6  | 140 | 20h9 | 79,5 | 620 | 450 | 755 | 1040 | 20   | 500 | 450j6  | 550 | 5 | 18 | 8 |
| 2SKg 315 S2   | 65m6  | 140 | 18h9 | 69   | 620 | 450 | 790 | 1180 | 22   | 600 | 550js6 | 660 | 6 | 22 | 8 |
| 2SKg 315 S... | 80m6  | 170 | 22h9 | 85   | 620 | 450 | 790 | 1210 | 22   | 600 | 550js6 | 660 | 6 | 22 | 8 |
| 2SKg 315 M2   | 65m6  | 140 | 18h9 | 69   | 620 | 450 | 790 | 1180 | 22   | 600 | 550js6 | 660 | 6 | 22 | 8 |
| 2SKg 315 M... | 80m6  | 170 | 22h9 | 85   | 620 | 450 | 790 | 1210 | 22   | 600 | 550js6 | 660 | 6 | 22 | 8 |
| SVg 355 S..*  | 100m6 | 210 | 28h9 | 106  | 767 | 588 | 970 | 1580 | 24   | 740 | 680js6 | 800 | 6 | 22 | 8 |
| SVg 355 M..*  | 100m6 | 210 | 28h9 | 106  | 767 | 588 | 970 | 1580 | 24   | 740 | 680js6 | 800 | 6 | 22 | 8 |

\* - the SVg motors may operate only in vertical position IM V1.

**FLANGE MOUNTED MOTORS - IM B5, IM V1**



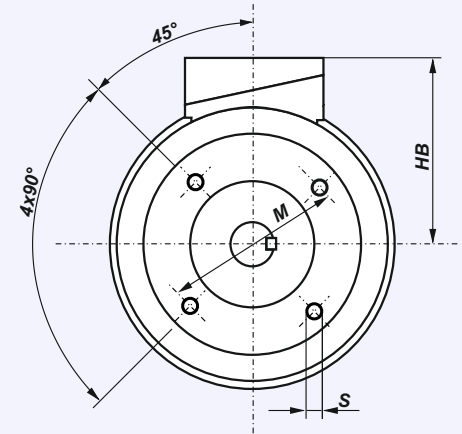
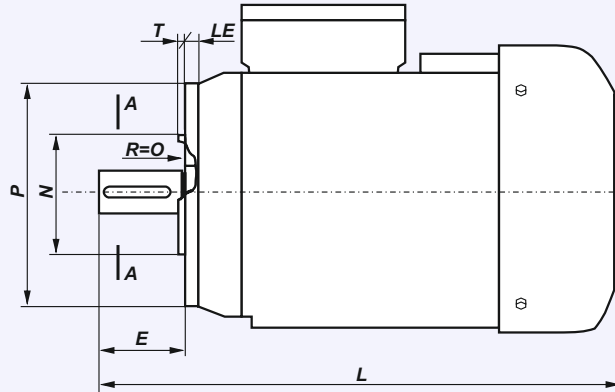
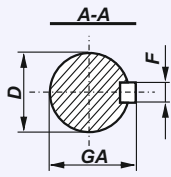
DIMENSION DRAWINGS

| Motor type    | Poles | D   | E   | F  | GA  | HB  | L    | LA | M    | N    | P    | S  | T |
|---------------|-------|-----|-----|----|-----|-----|------|----|------|------|------|----|---|
| SVEE 355....* | 8     | 100 | 210 | 28 | 106 | 580 | 1620 | 24 | 740  | 680  | 800  | 22 | 6 |
| SVh 355...s*  | 4+8   | 100 | 210 | 28 | 106 | 638 | 1955 | 24 | 740  | 680  | 800  | 22 | 6 |
| SVh 400...s*  | 4+8   | 110 | 210 | 28 | 116 | 745 | 2130 | 37 | 940  | 880  | 1000 | 23 | 6 |
| SVh 450...s*  | 4+12  | 110 | 210 | 28 | 116 | 849 | 2350 | 30 | 1080 | 1000 | 1150 | 28 | 6 |
| SVh 500...s*  | 4+10  | 120 | 210 | 32 | 127 | 935 | 2504 | 30 | 1080 | 1000 | 1150 | 28 | 6 |

\* - the SVh and SVEE motors may operate only in vertical position IM V1.

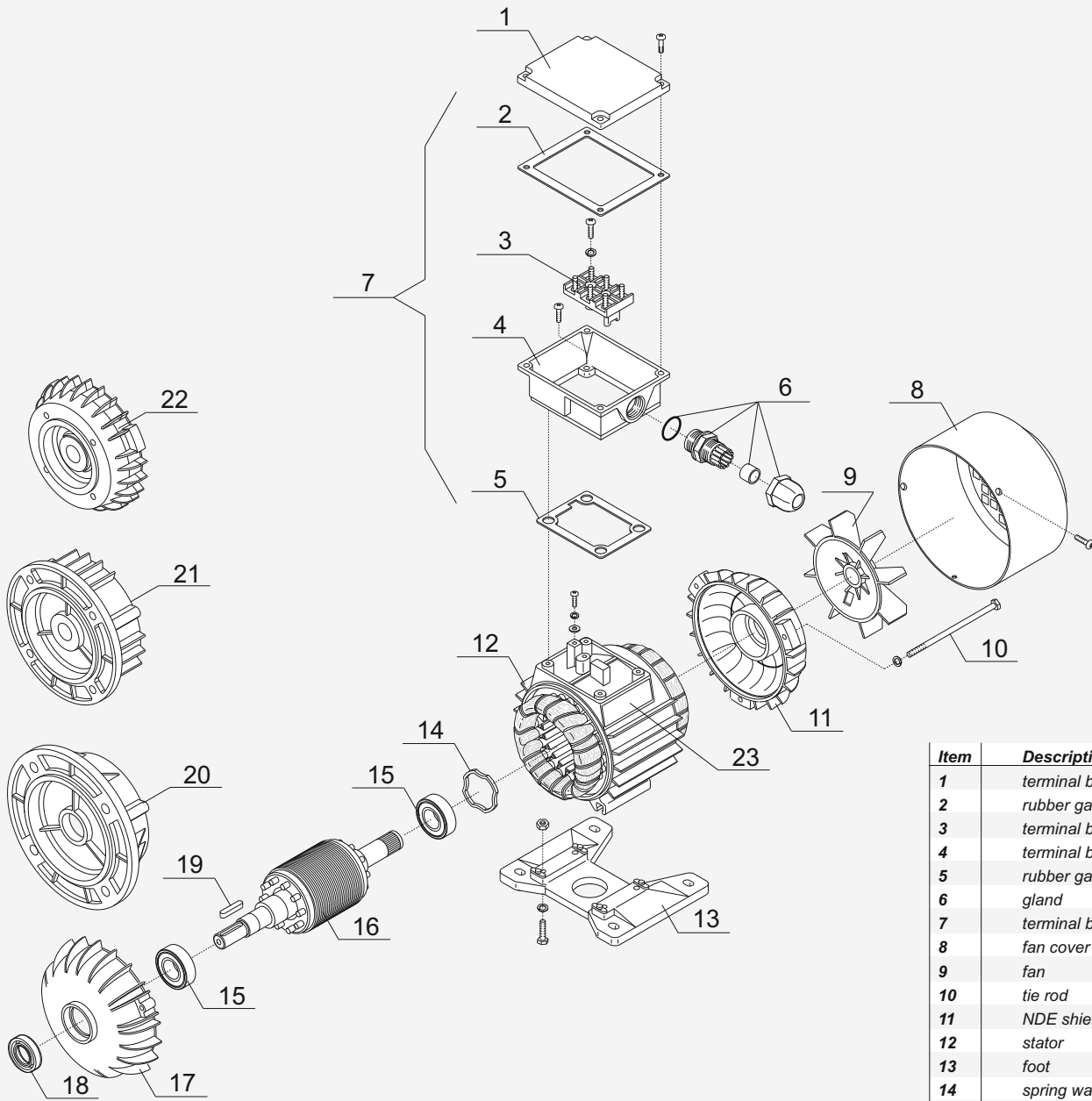


FLANGE MOUNTED MOTORS - IM B14



DIMENSION DRAWINGS

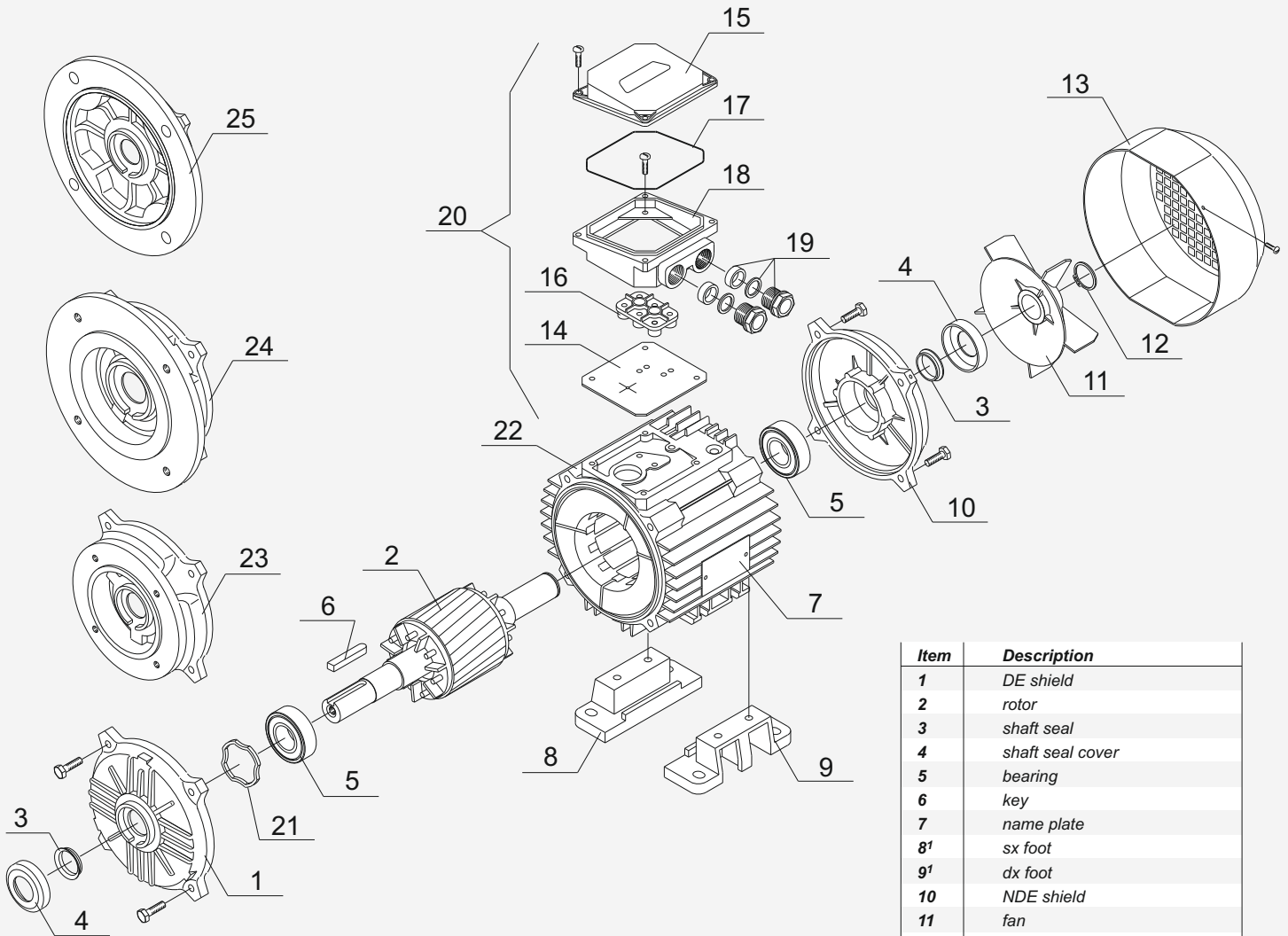
| Motor type   | Flange | D    | E  | F    | GA   | M   | N     | P   | S   | T   | LE   | HB  | L   |
|--------------|--------|------|----|------|------|-----|-------|-----|-----|-----|------|-----|-----|
| SKh 56-2A1   | B14/C1 | 9j6  | 20 | 3h9  | 10,2 | 85  | 70j6  | 105 | M6  | 2,5 | 15   | 98  | 183 |
| SKh 56-2A2   | B14/C2 | 9j6  | 20 | 3h9  | 10,2 | 65  | 50j6  | 80  | M5  | 2,5 | 12,5 | 98  | 183 |
| SKh 56-4A1   | B14/C1 | 9j6  | 20 | 3h9  | 10,2 | 85  | 70j6  | 105 | M6  | 2,5 | 15   | 98  | 183 |
| SKh 56-4A2   | B14/C2 | 9j6  | 20 | 3h9  | 10,2 | 65  | 50j6  | 80  | M5  | 2,5 | 12,5 | 98  | 183 |
| SKh 56-2B1   | B14/C1 | 9j6  | 20 | 3h9  | 10,2 | 85  | 70j6  | 105 | M6  | 2,5 | 15   | 98  | 193 |
| SKh 56-2B2   | B14/C2 | 9j6  | 20 | 3h9  | 10,2 | 65  | 50j6  | 80  | M5  | 2,5 | 12,5 | 98  | 193 |
| SKh 56-4B1   | B14/C1 | 9j6  | 20 | 3h9  | 10,2 | 85  | 70j6  | 105 | M6  | 2,5 | 15   | 98  | 193 |
| SKh 56-4B2   | B14/C2 | 9j6  | 20 | 3h9  | 10,2 | 65  | 50j6  | 80  | M5  | 2,5 | 12,5 | 98  | 193 |
| SKh 56-6B1   | B14/C1 | 9j6  | 20 | 3h9  | 10,2 | 85  | 70j6  | 105 | M6  | 2,5 | 15   | 98  | 193 |
| SKh 56-6B2   | B14/C2 | 9j6  | 20 | 3h9  | 10,2 | 65  | 50j6  | 80  | M5  | 2,5 | 12,5 | 98  | 193 |
| SKh 63- .A1  | B14/C1 | 11j6 | 23 | 4h9  | 12,5 | 100 | 80j6  | 120 | M6  | 3   | 14   | 102 | 200 |
| SKh 63- .A2  | B14/C2 | 11j6 | 23 | 4h9  | 12,5 | 75  | 60j6  | 90  | M5  | 2,5 | 9,5  | 102 | 200 |
| SKh 63- .B1  | B14/C1 | 11j6 | 23 | 4h9  | 12,5 | 100 | 80j6  | 120 | M6  | 3   | 14   | 102 | 210 |
| SKh 63- .B2  | B14/C2 | 11j6 | 23 | 4h9  | 12,5 | 75  | 60j6  | 90  | M5  | 2,5 | 9,5  | 102 | 210 |
| SKh 71- .A1  | B14/C1 | 14j6 | 30 | 5h9  | 16   | 115 | 95j6  | 140 | M8  | 3   | 14   | 111 | 223 |
| SKh 71- .A2  | B14/C2 | 14j6 | 30 | 5h9  | 16   | 85  | 70j6  | 105 | M6  | 2,5 | 12   | 111 | 223 |
| SKh 71- .B1  | B14/C1 | 14j6 | 30 | 5h9  | 16   | 115 | 95j6  | 140 | M8  | 3   | 14   | 111 | 245 |
| SKh 71- .B2  | B14/C2 | 14j6 | 30 | 5h9  | 16   | 85  | 70j6  | 105 | M6  | 2,5 | 12   | 111 | 245 |
| SKh 80- .A1  | B14/C1 | 19j6 | 40 | 6h9  | 21,5 | 130 | 110j6 | 160 | M8  | 3,5 | 14   | 119 | 266 |
| SKh 80- .A2  | B14/C2 | 19j6 | 40 | 6h9  | 21,5 | 100 | 80j6  | 120 | M6  | 3   | 12   | 119 | 266 |
| SKh 80- .B1  | B14/C1 | 19j6 | 40 | 6h9  | 21,5 | 130 | 110j6 | 160 | M8  | 3,5 | 14   | 119 | 278 |
| SKh 80- .B2  | B14/C2 | 19j6 | 40 | 6h9  | 21,5 | 100 | 80j6  | 120 | M6  | 3   | 12   | 119 | 278 |
| SKh 90S ...  | B14/C1 | 24j6 | 50 | 8h9  | 27   | 130 | 110j6 | 160 | M8  | 3,5 | 10   | 130 | 305 |
| SKh 90S ...  | B14/C2 | 24j6 | 50 | 8h9  | 27   | 115 | 95j6  | 140 | M8  | 3   | 10   | 130 | 305 |
| SKh 90L ...  | B14/C1 | 24j6 | 50 | 8h9  | 27   | 130 | 110j6 | 160 | M8  | 3,5 | 10   | 130 | 330 |
| SKh 90L ...  | B14/C2 | 24j6 | 50 | 8h9  | 27   | 115 | 95j6  | 140 | M8  | 3   | 10   | 130 | 330 |
| SKg 100L ... | B14/C1 | 28j6 | 60 | 8h9  | 31   | 165 | 130j6 | 200 | M10 | 3,5 | 12   | 140 | 376 |
| SKg 100L ... | B14/C2 | 28j6 | 60 | 8h9  | 31   | 130 | 110j6 | 160 | M8  | 3,5 | 12   | 140 | 376 |
| SKg 112M ... | B14/C1 | 28j6 | 60 | 8h9  | 31   | 165 | 130j6 | 200 | M10 | 3,5 | 12   | 164 | 384 |
| SKg 112M ... | B14/C2 | 28j6 | 60 | 8h9  | 31   | 130 | 110j6 | 160 | M8  | 3,5 | 12   | 164 | 384 |
| SKg 132S ... | B14/C1 | 38k6 | 80 | 10h9 | 41   | 215 | 180j6 | 250 | M12 | 4   | 12   | 178 | 463 |
| SKg 132S ... | B14/C2 | 38k6 | 80 | 10h9 | 41   | 165 | 130j6 | 200 | M10 | 3,5 | 12   | 178 | 463 |
| SKg 132S-2B  | B14/C1 | 38k6 | 80 | 10h9 | 41   | 215 | 180j6 | 250 | M12 | 4   | 12   | 178 | 501 |
| SKg 132S-2B  | B14/C2 | 38k6 | 80 | 10h9 | 41   | 165 | 130j6 | 200 | M10 | 3,5 | 12   | 178 | 501 |
| SKg 132M ... | B14/C1 | 38k6 | 80 | 10h9 | 41   | 215 | 180j6 | 250 | M12 | 4   | 12   | 178 | 501 |
| SKg 132M ... | B14/C2 | 38k6 | 80 | 10h9 | 41   | 165 | 130j6 | 200 | M10 | 3,5 | 12   | 178 | 501 |



| Item | Description           |
|------|-----------------------|
| 1    | terminal box cover    |
| 2    | rubber gasket         |
| 3    | terminal board        |
| 4    | terminal box          |
| 5    | rubber gasket         |
| 6    | gland                 |
| 7    | terminal box complete |
| 8    | fan cover             |
| 9    | fan                   |
| 10   | tie rod               |
| 11   | NDE shield            |
| 12   | stator                |
| 13   | foot                  |
| 14   | spring washer         |
| 15   | bearing               |
| 16   | rotor                 |
| 17   | DE shield             |
| 18   | shaft seal            |
| 19   | key                   |
| 20   | flange B5             |
| 21   | flange B14/C1         |
| 22   | flange B14/C2         |
| 23   | name plate            |

DE - drive end  
NDE - non drive end

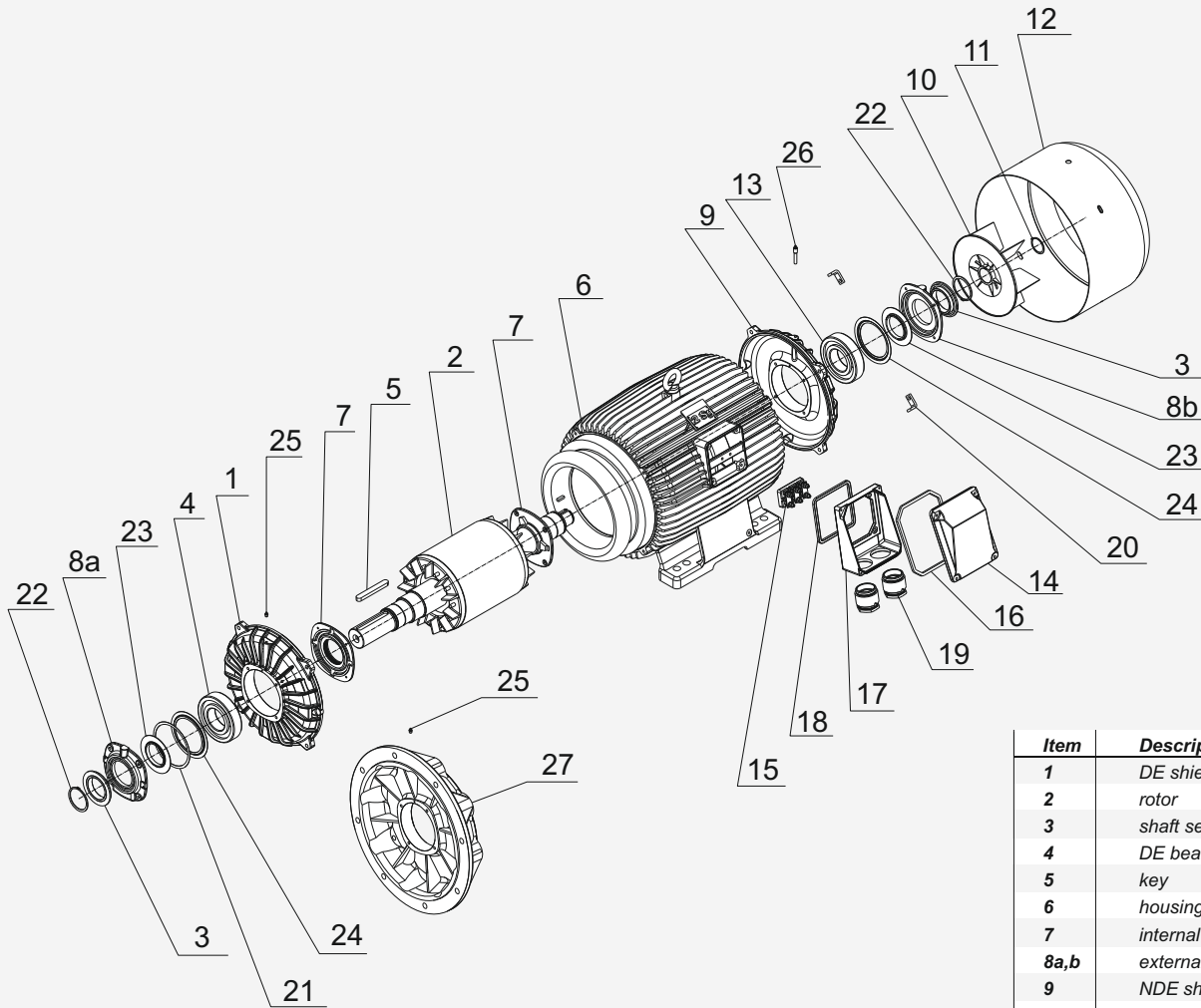
LIST OF MOTOR PARTS



| Item            | Description           |
|-----------------|-----------------------|
| 1               | DE shield             |
| 2               | rotor                 |
| 3               | shaft seal            |
| 4               | shaft seal cover      |
| 5               | bearing               |
| 6               | key                   |
| 7               | name plate            |
| 8 <sup>1</sup>  | sx foot               |
| 9 <sup>1</sup>  | dx foot               |
| 10              | NDE shield            |
| 11              | fan                   |
| 12              | seeger ring           |
| 13              | fan cover             |
| 14              | rubber gasket         |
| 15              | terminal box cover    |
| 16              | terminal board        |
| 17              | rubber gasket         |
| 18              | terminal box          |
| 19              | glands                |
| 20              | terminal box complete |
| 21              | spring washer         |
| 22              | stator                |
| 23 <sup>2</sup> | flange B14/C2         |
| 24 <sup>2</sup> | flange B14/C1         |
| 25              | flange B5             |

DE - drive end  
NDE - non drive end

1 - for frame size 132 feet can be screwed or integrated with the motor housing, for frame size 160 -180 feet are integrated with the motor housing.  
2 - only for frame size 90 - 132.

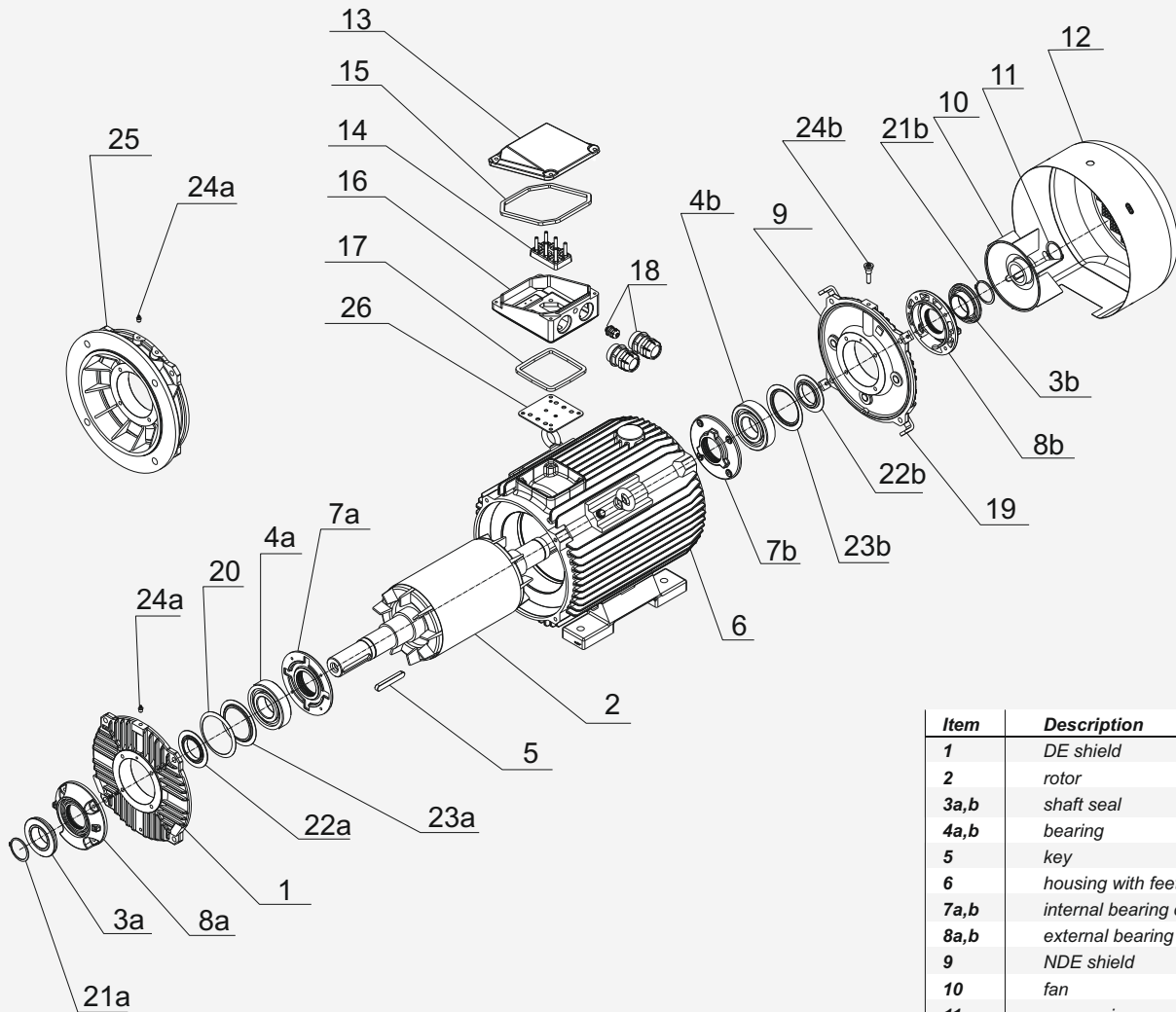


| Item | Description             |
|------|-------------------------|
| 1    | DE shield               |
| 2    | rotor                   |
| 3    | shaft seal              |
| 4    | DE bearing              |
| 5    | key                     |
| 6    | housing with feet       |
| 7    | internal bearing cap    |
| 8a,b | external bearing cap    |
| 9    | NDE shield              |
| 10   | fan                     |
| 11   | seeger ring             |
| 12   | fan cover               |
| 13   | NDE bearing             |
| 14   | terminal box cover      |
| 15   | terminal cover support  |
| 16   | rubber gasket           |
| 17   | terminal box housing    |
| 18   | rubber gasket           |
| 19   | cable glands            |
| 20   | fan cover support       |
| 21   | spring washer           |
| 22   | seeger ring             |
| 23   | grease shield *         |
| 24   | bearing internal ring * |
| 25   | DE grease nipple        |
| 26   | NDE grease nipple       |
| 27   | flange B5               |

\* only for size 315

DE - drive end  
NDE - non drive end

LIST OF MOTOR PARTS



| Item  | Description           |
|-------|-----------------------|
| 1     | DE shield             |
| 2     | rotor                 |
| 3a,b  | shaft seal            |
| 4a,b  | bearing               |
| 5     | key                   |
| 6     | housing with feet     |
| 7a,b  | internal bearing cap  |
| 8a,b  | external bearing cap  |
| 9     | NDE shield            |
| 10    | fan                   |
| 11    | seeger ring           |
| 12    | fan cover             |
| 13    | terminal box cover    |
| 14    | terminal board        |
| 15    | rubber gasket         |
| 16    | terminal box housing  |
| 17    | rubber gasket         |
| 18    | cable glands          |
| 19    | fan cover support     |
| 20    | spring washer         |
| 21a,b | seeger ring           |
| 22a,b | grease shield         |
| 23a,b | bearing internal ring |
| 24a,b | grease nipple         |
| 25    | flange B5             |
| 26    | rubber gasket         |

DE - drive end  
NDE - non drive end





## PRODUCTION PROGRAM

### GENERAL PURPOSE 3-PHASE INDUCTION MOTORS

### GENERAL PURPOSE 1-PHASE INDUCTION MOTORS

### HIGH VOLTAGE INDUCTION MOTORS

- Totally enclosed motors IP55
- Totally enclosed motors for power engineering IP55
- Open drip proof motors IP23

### MOTORS WITH INCREASED RATED OUTPUT

### MOTORS WITH FOREIGN COOLING

- Motors with foreign cooling IP54 (IP55)
- Motors with foreign cooling IP20

### 3-PHASE INDUCTION MOTORS FOR PUMPS

- Standard motors for pumps
- Explosion-proof motors for pumps
- Explosion-proof marine motors for pumps

### MOTORS TO BE BUILT-IN

- 1-phase motors to be built-in
- 3-phase motors to be built-in

### BRAKE MOTORS

- Brake motors (with DC brake)
- Brake motors (with AC brake)

### EXPLOSION-PROOF MOTORS

- Increased safety motors
- Flame-proof motors
- Flame-proof marine motors
- Special purpose flame-proof motors for mining
- Special purpose flame-proof motors for chemical industry
- Special purpose flame-proof marine motors
- High voltage flame-proof motors

### MOTORS FOR AXIAL-FLOW FANS

- 1-phase motors for axial-flow fans
- 3-phase motors for axial-flow fans
- 3-phase motors for axial-flow mining fans
- 3-phase explosion-proof motors for air duct axial-flow fans
- 3-phase marine motors for axial-flow fans
- 3-phase explosion-proof marine motors for axial-flow fans
- 3-phase multi-speed motors for axial-flow fans
- 3-phase multi-speed motors for air duct axial-flow fans

## PRODUCTION PROGRAM

### MULTI-SPEED MOTORS

- General purpose 2-speed motors
- General purpose multi-speed motors

### MARINE MOTORS

- General purpose marine motors
- Marine motors for pumps
- Marine motors for axial-flow fans
- Marine motors for boat davits
- Marine motors for tubular rudders
- General purpose explosion-proof marine motors
- Explosion-proof marine motors for pumps
- Explosion-proof marine motors for axial-flow fans

### SLIP RING INDUCTION MOTORS

- Totally enclosed (IP 54, 55) wound rotor induction motors
- Open drip proof (IP 23) wound rotor induction motors

### CRANE MOTORS

- Squirrel cage crane motors
- Slip ring rotor crane motors
- Two-speed crane motors with brake

### SPECIAL PURPOSE INDUCTION MOTORS

- Motors with increased slip
- Roller table motors for iron and steel industry
- 1-phase motors with shaft height 65 mm
- 3-phase motors with shaft height 65 mm

### NEMA MOTORS ACCORDING TO EPACT AND NEMA PREMIUM REQUIREMENTS

### ACCESSORIES

- DC electromagnetic disc brakes
- AC electromagnetic disc brakes
- Powder brakes and clutches
- Thrustors

**CANTONI**  
**MOTOR**



ISO 9001

**CANTONI MOTOR S.A.**  
**3 Maja 28**  
**43-400 Cieszyn, Poland**  
**tel.: +48 33 813 87 00**  
**fax: +48 33 813 87 01**  
**[motor@cantonigroup.com](mailto:motor@cantonigroup.com)**  
**[www.cantonimotor.com](http://www.cantonimotor.com)**

## X-ON Electronics

Largest Supplier of Electrical and Electronic Components

*Click to view similar products for [Motor Drives](#) category:*

*Click to view products by [Besel](#) manufacturer:*

Other Similar products are found below :

[GMA02](#) [1300920283](#) [GMA11](#) [GMA20](#) [R88DUA03LAAC100V30W](#) [R88DUA12HA](#) [R88DUP03LAAC100V30W](#) [STR2](#) [VX5A1400](#)  
[MFMCB0030GET](#) [1302263150](#) [1300920078](#) [R88D-GT04H](#) [R88D-GN04H-ML2](#) [R7D-BP01H](#) [R88D-KN04L-ECT](#) [70354063](#) [79294435](#)  
[27358015](#) [15275008](#) [STAC6-QE](#) [1SFA896112R1100](#) [GNCF8-11](#) [KLC35BE](#) [ST10-Q-RN](#) [1302263161](#) [VX5A1300](#) [2SIE 71-2A](#) [2SIE 71X-](#)  
[4C](#) [DV0P4140-FTDI](#) [R88A-CA1C005SF-E](#) [R88A-CR1B005NF-E](#) [SEH 56-2C](#) [SEHR90-4L](#) [U-PKZ0\(400V50HZ\)](#) [LUCC12FU](#) [LU9BN11L](#)  
[LULC08](#) [319.3860.20.00](#) [319.3862.20.00](#) [3AUA0000038701](#) [3AUA0000038843](#) [3AUA0000039630](#) [3AUA0000058186](#) [68878365](#)  
[68878373](#) [3G3MX2-AB002-E-ECT](#) [111.9039.20.00](#) [111.9041.30.00](#) [130B1107](#)