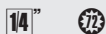


900/55Z

1/4" drive reversible ratchet, 72 tooth mechanism






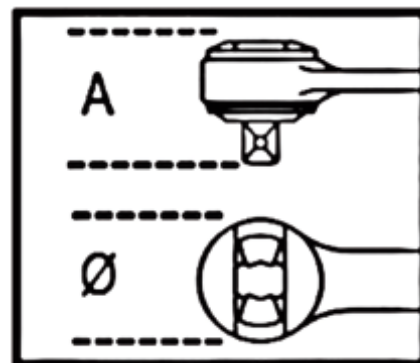
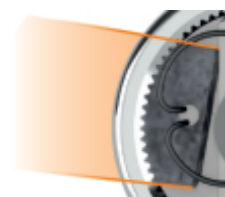
The reversible 900/55Z has a new 72 teeth mechanism, developed by Beta's technical department, with 15 teeth always in grip. The workload is spread over a large number of teeth, so as to reduce the wear of each single tooth and guarantee a longer working life. The 72 teeth also guarantee a pick-up angle of only 5° and a very compact head perfectly at ease even in the tightest of spaces.

Features:

- 15 teeth in contact with gear at all times: increased sturdiness
- 5° take-up angle: increased rapidity

New design.

	art.	L	Ø	A		
009000882	900/55Z	126	25	23	1/4	95



X-ON Electronics

Largest Supplier of Electrical and Electronic Components

Click to view similar products for [Screwdrivers, Nut Drivers & Socket Drivers](#) category:

Click to view products by [Beta](#) manufacturer:

Other Similar products are found below :

[1406504-2](#) [272012M](#) [271001M](#) [30246](#) [HMM-HH](#) [32024](#) [TL10416](#) [612020B](#) [35-045](#) [6951](#) [83](#) [9977](#) [EMF](#) [99833](#) [RB1](#) [S3166V](#) [X103V](#)
[XTD10TP](#) [X108N](#) [HS7N](#) [HS618N](#) [LN25MMN](#) [HS18N](#) [XST1010N](#) [P4N](#) [R146N](#) [P12SN](#) [R5324N](#) [99764N](#) [P8N](#) [99312N](#) [R3163N](#)
[SX101N](#) [LN22N](#) [XTD10N](#) [9955MMN](#) [995MMN](#) [996MMN](#) [LN25N](#) [THS9N](#) [R3166N](#) [R144N](#) [RB2N](#) [HS10N](#) [99964BPN](#) [HS11N](#) [HS12N](#)
[THS8N](#) [TL12N](#) [LN23BPN](#)