



贝特卫士®

更好的电路安全卫士!  
You build electronics. We safeguard them!

# 承 认 书

## APPROVAL SHEET

编 号 No.	3321125200-C/0-B
日期 Date	2019.10.14

客 户 Customer	
-----------------	--

品 名 Product	<b>Time-Lag Subminiature fuse</b>
系 列 Series	<b>332</b>

料号 Part No.	规格描述 Specification	备注 Remark
贝特电子 Betterfuse		
客 户 Customer		

环保特别提示 Special instructions for environmental protection
本产品:

供应商-贝特电子 Supplier-Betterfuse	零件承认章 Approval Signet	客 户 Customer	零件承认章 Approval Signet
制 作 Make	YaLan Wang		
审 核 Check	Fei Gao		
确 认 Approval	Jun Li		

联络 Contact			
业务 Sales	电话 Telephone	手机 Cellphone	邮箱 E-mail
零件承认后敬请回签一份给我司留存, 或将承认后的封面传真(0769-8352 1857)至我司, 谢谢!			



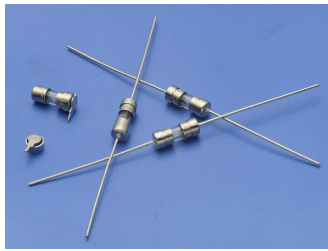
Document Record						
No.	Date	Modified Content	Page	Edition	Prepared/modified by	Checked by
1	2012.11.20	Draft	8	A/0	Runsong Zhong	Lianghua Guo
2	2014.07.30	Release Edition	8	B/0	Kings Luo	Wenhua Yan
3	2015.06.24	Add UR certification	6	B/1	Jeffery	Gem Guo
4	2015.08.04	Update UR certification		B/2	Jeffery	Gem Guo
5	2015.12.12	Update PSE certification		B/3	Jeffery	Lin Gao
6	2018.05.31	Update TUV certification		B/4	J.Q.	Fei Gao
7	2019.05.06	Add 8A,10A IT curve	6	B/5	Xiang Xiong	Fei Gao
8	2019.10.14	Change CQC to CCC		C/0	YaLan Wang	Fei Gao
9						
10						
11						
12						

## TABLE OF CONTENTS

<b>1. SCOPE AND DESCRIPTION.....</b>	<b>3</b>
<b>2. GENERAL INFORMATION.....</b>	<b>3</b>
<b>3. AGENCY APPROVALS.....</b>	<b>3</b>
<b>4. PART NUMBERING SYSTEM.....</b>	<b>4</b>
<b>5. MECHANICAL SPECIFICATIONS.....</b>	<b>5</b>
<b>6. ELECTRICAL SPECIFICATIONS.....</b>	<b>6</b>
<b>7. SOLDERING PARAMETERS.....</b>	<b>8</b>
<b>8. ORDERING INFORMATION.....</b>	<b>8</b>
<b>9. PACKING INFORMATION.....</b>	<b>9</b>
<b>10. APPENDIX.....</b>	<b>10</b>



### 1. SCOPE AND DESCRIPTION



Following electronic product specifications apply to fuses of the 332 series. The 332 series is a time-lag type subminiature fuse for over-current protection.

With its low breaking capacity, this fuse series is ideal for applications like lighting, power supplies and power adapters to provide excellent protection for components and circuits.

### 2. GENERAL INFORMATION

#### General Description

The 332 series time-lag fuse with low breaking capacity for use with printed circuit boards is used in a large variety of applications. The 3.6x10mm device is constructed of a glass tube with electro-plated brass end caps. The 332 series with 250 VAC rating and 35A or 10In (10 times of rated current) breaking capacity, offers excellent quality and is 100% tested for cold resistance and precise length.

#### Detailed Features

- Subminiature fuse with time-lag, low breaking capacity
- 3.6mm x 10mm physical dimensions
- Glass tube, encapsulated design with nickel - plated brass end caps
- Optional axial leads are  $\Phi 0.65\text{mm}$  @ 250mA~7A and  $\Phi 0.8\text{mm}$  @ 8A~10A
- Protection against harmful over-currents in primary and secondary applications
- Lead-free, Halogen-free, RoHS compliant
- Designed compliant to IEC 60127-3/IV

### 3. AGENCY APPROVALS

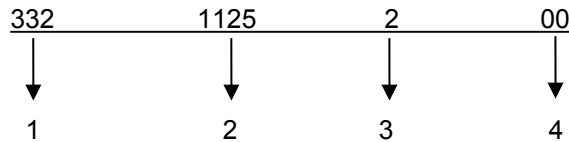
Agency	Agency File Number	Ampere/ Voltage Range
	E300003	125VAC/ 250VAC: 250mA~10A
	PSE15020940	250V: 1A; 1.25A; 1.6A; 2A; 2.5A; 3.15A; 4A; 5A
	2019010207235041	250V:500mA;630mA;800mA;1A;1.25A; 1.6A;2A;2.5A;3.15A;4A;5A;6.3A;8A
	J 50158950	250V AC: 250mA; 315mA; 400mA; 500mA; 630mA; 800mA; 1A; 1.25A; 1.6A; 2A; 2.5A; 3A;3.15A; 4A; 5A; 6.3A



## 4. PART NUMBERING SYSTEM

### 4.1 Part Number

Example: 3321125200



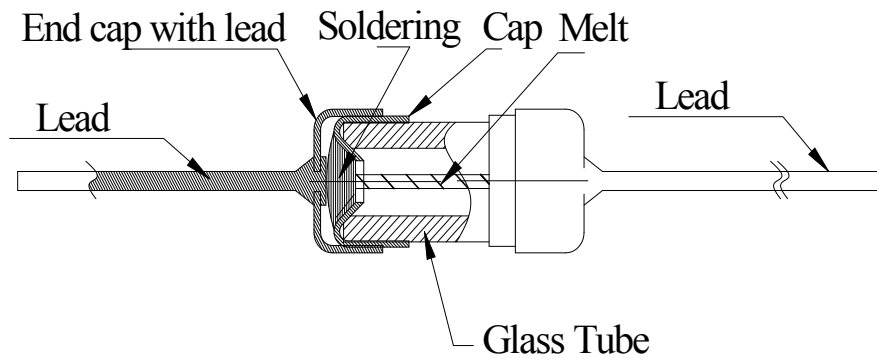
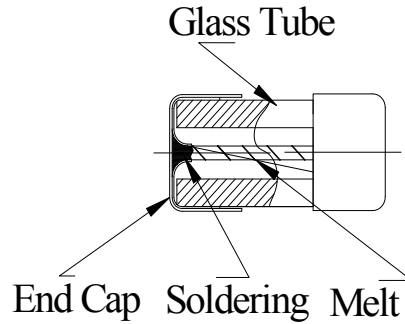
- |         |                           |                             |
|---------|---------------------------|-----------------------------|
| 1 ..... | Product Series .....      | 332                         |
| 2 ..... | Ampere Rating/ Code ..... | 1.25A (see table 4.2 below) |
| 3 ..... | Voltage Rating .....      | 2 – 250V<br>1 – 125V        |
| 4 ..... | Packaging Code .....      | Complement code             |

### 4.2. Ampere Rating Table

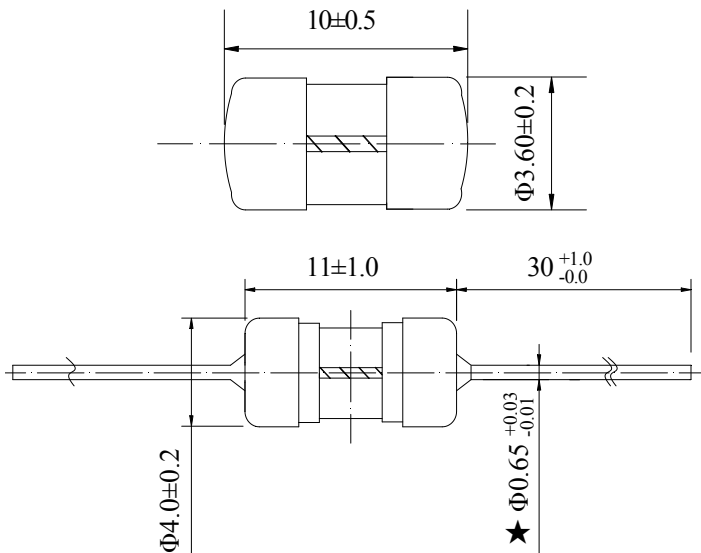
AMP CODE	CURRENT RATING	VOLTAGE RATING
0250	250mA	125V/250V
0300	300mA	125V/250V
0315	315mA	125V/250V
0350	350mA	125V/250V
0375	375mA	125V/250V
0400	400mA	125V/250V
0500	500mA	125V/250V
0630	630mA	125V/250V
0750	750mA	125V/250V
0800	800mA	125V/250V
1100	1.00A	125V/250V
1125	1.25A	125V/250V
1150	1.50A	125V/250V
1160	1.60A	125V/250V
1200	2.00A	125V/250V
1250	2.50A	125V/250V
1300	3.00A	125V/250V
1315	3.15A	125V/250V
1350	3.50A	125V/250V
1400	4.00A	125V/250V
1500	5.00A	125V/250V
1630	6.30A	125V/250V
1700	7.00A	125V/250V
1800	8.00A	125V/250V
2100	10.00A	125V/250V



5. MECHANICAL SPECIFICATIONS



Dimensions (units: mm)



★:  
 250mA~7A :  $\Phi 0.65$ mm  
 8A~10A :  $\Phi 0.80$ mm

Operating Temperature:

-55°C to 125°C

Storage Conditions:

+10°C to +60°C

Relative humidity:  $\leq 75\%$  yearly average  
without dew, maximum 30 days at 95%

Vibration Resistance:

24 cycles at 15 min. each (60068-6)

10-60Hz at 0.75mm amplitude

60-2000Hz at 10g acceleration



## 6. ELECTRICAL SPECIFICATIONS

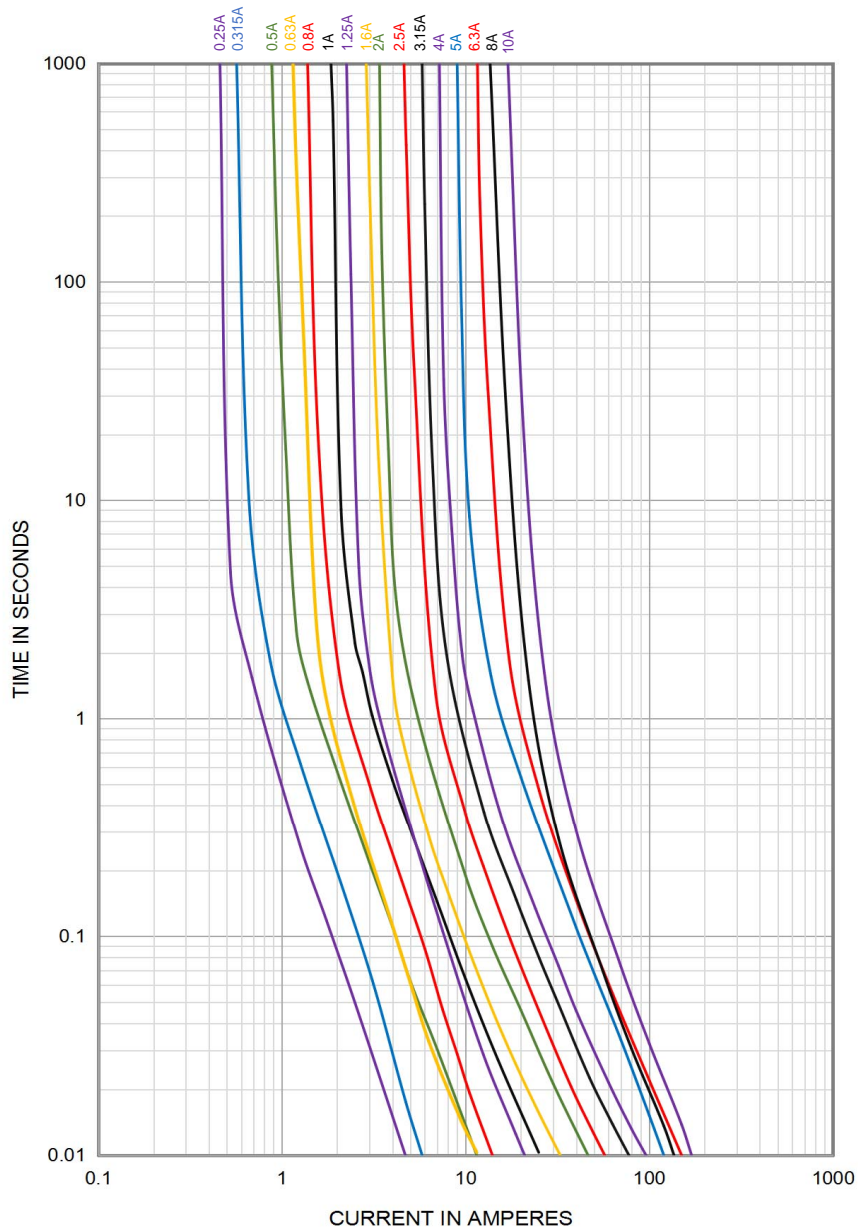
### Time vs Current Characteristics Table

(measured with constant current power supply)

Time vs Current Characteristics: IEC-60127-3/IV					
Rated current	150%	210%	275%	400%	1000%
250mA~10A	>1h	<2min	400ms~10s	150ms~3s	20ms~150ms

### Average Time Current (I-T) Curves

Average Current Curve(I-T Curve)





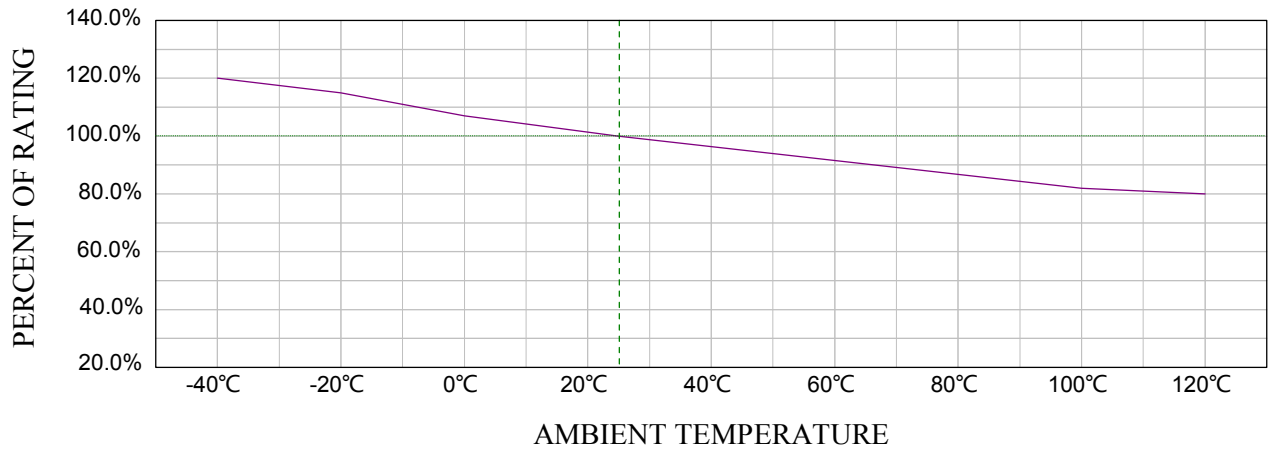
**Electrical characteristics**

Electrical Characteristics										
Amp Code	Rated Current	Voltage drop Max (mV)	Power Dissipation max (mW)	Nominal Melting I <sup>2</sup> t(A <sup>2</sup> sec)	Breaking Capacity	Approvals				
						PSE	TUV	CCC	cURus	
						250V	250V	250V	125V	250V
0250	250mA	240	220	0.221	50A/125V AC 35A or 10In/250VAC 50-60Hz Cosφ=1.0	○	●	○	●	●
0300	300mA	230	250	0.292		○	○	○	●	●
0315	315mA	220	250	0.336		○	●	○	●	●
0350	350mA	210	250	0.397		○	○	○	●	●
0375	375mA	210	280	0.456		○	○	○	●	●
0400	400mA	200	280	0.722		○	●	○	●	●
0500	500mA	190	310	1		○	●	●	●	●
0630	630mA	180	360	1.35		○	●	●	●	●
0750	750mA	170	430	1.82		○	○	○	●	●
0800	800mA	160	430	1.56		○	●	●	●	●
1100	1.00A	140	500	6.5		●	●	●	●	●
1125	1.25A	130	600	4.62		●	●	●	●	●
1150	1.50A	120	730	10.6		○	○	○	●	●
1160	1.60A	120	730	10.9		●	●	●	●	●
1200	2.00A	100	870	20.3		●	●	●	●	●
1250	2.50A	100	1000	32.5		●	●	●	●	●
1300	3.00A	100	1200	59.3		○	●	○	●	●
1315	3.15A	100	1200	57		●	●	●	●	●
1350	3.50A	100	1200	90.3		○	○	○	●	●
1400	4.00A	100	1400	94.1		●	●	●	●	●
1500	5.00A	100	1400	121	●	●	●	●	●	
1630	6.30A	100	1400	225	○	●	●	●	●	
1700	7.00A	100	1400	110	○	○	○	●	●	
1800	8.00A	100	1400	169	○	○	●	●	●	
2100	10.00A	100	1400	196	50A/125V/250V AC	○	○	○	●	●



### Temperature Rerating Curve

Temperature Rerating Curve



Calculation for ideal fuse selection =  $\frac{\text{Operating Current (A)}}{\text{Rating (\%} \times 0.75)}$

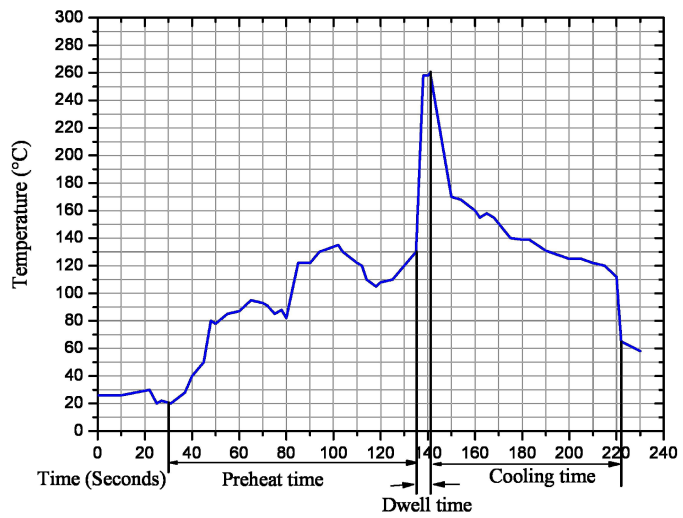
### 7. SOLDERING PARAMETERS

260°C. ≤5 sec (Wave Soldering)

350°C. ≤3 sec (Hand Soldering)

Soldering Peak:

260°C - 10 sec (IEC 60068-20)



### 8. ORDERING INFORMATION

The following information are necessary in order to place your order with us correctly:

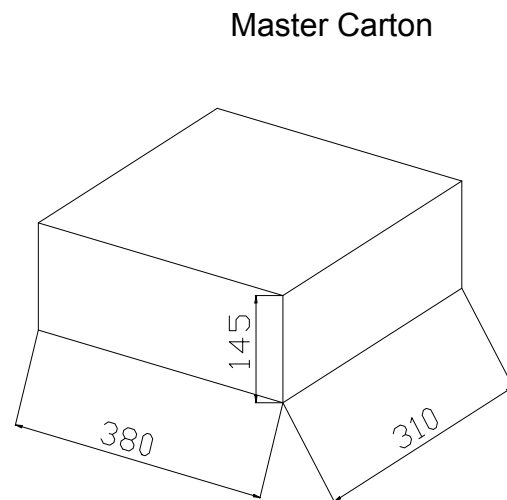
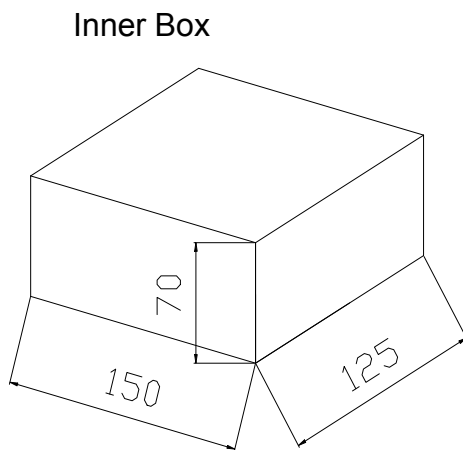
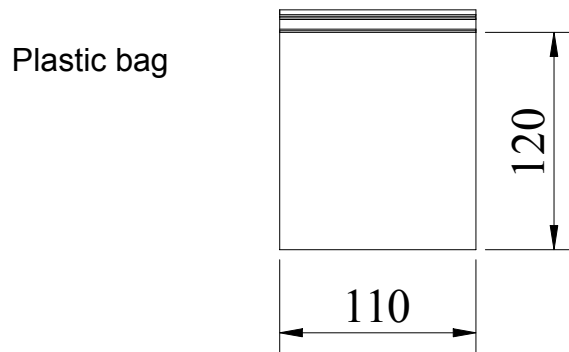
Series No.	Amp Code	Packaging Code	Quantity	Purchase Order No.
332				





**9.PACKING INFORMATION**

Packing details



Net Weight (200pcs/bag)	48g	Inner box weight	280g	Master Carton Weight	3.9kg
Qty per bag	200pcs	Qty per box	1000pcs	Qty per carton	10000pcs

© Dongguan Better Electronics Technology Co., Ltd.

东莞市贝特电子科技股份有限公司

Room 601 of 16 Block, Xinzhu Yuan, No.4, Xinzhu Road, Songshanlake Hightech Industrial Development Zone, Dongguan City, Guangdong P.R.C  
中国广东省东莞市松山湖国家高新技术产业开发区新竹路4号新竹苑16座办公601

Tel: +86 769-2307 8212 Fax: +86 769-8352 1857

Web: [www.betterfuse.com](http://www.betterfuse.com)

Email: [info@betterfuse.com](mailto:info@betterfuse.com)



332 / OC FUSE

贝特卫士®

更好的电路安全卫士!  
You build electronics, We safeguard them!

## 10. APPENDIX



# 中国国家强制性产品认证证书

证书编号：2019010207235041

委托人名称、地址

东莞市贝特电子科技股份有限公司  
东莞市松山湖高新技术产业开发区新竹路4号新竹苑16座办公601

生产者（制造商）名称、地址

东莞市贝特电子科技股份有限公司  
东莞市松山湖高新技术产业开发区新竹路4号新竹苑16座办公601

生产企业名称、地址

东莞市贝特电子科技股份有限公司  
东莞市寮步镇横坑南门村第二工业区C座、B座

产品名称和系列、规格、型号

超小型熔断体

332 T500mAL250V、332 T630mAL250V、332 T800mAL250V、332 T1AL250V、332 T1.25AL250V、332 T1.6AL250V、332 T2AL250V、332 T2.5AL250V、332 T3.15AL250V、332 T4AL250V、332 T5AL250V、332 T6.3AL250V、332 T8AL250V

产品标准和技术要求

GB/T9364. 3-2018;GB/T9364. 1-2015

上述产品符合强制性产品认证实施规则 CNCA-C02-01:2014 的要求，特发此证。

发证日期：2019年10月11日 有效期至：2024年10月11日

证书有效期内本证书的有效性依据发证机构的定期监督获得保持。

本证书的相关信息可通过国家认监委网站 [www.cnca.gov.cn](http://www.cnca.gov.cn) 查询



主任：

陆楠



## 中国质量认证中心



# CERTIFICATE FOR CHINA COMPULSORY PRODUCT CERTIFICATION

**CERTIFICATE NO.: 2019010207235041**

## **NAME AND ADDRESS OF THE APPLICANT**

Dongguan Better Electronics Technology Co., Ltd.  
Room 601 of 16 Block, Xinzhu Yuan, No 4, Xinzhu Road, Songshanlake Hightech Industrial  
Development Zone, Dongguan City, Guangdong Province, PRC

## **NAME AND ADDRESS OF THE MANUFACTURER**

Dongguan Better Electronics Technology Co., Ltd.  
Room 601 of 16 Block, Xinzhu Yuan, No 4, Xinzhu Road, Songshanlake Hightech Industrial  
Development Zone, Dongguan City, Guangdong Province, PRC

## **NAME AND ADDRESS OF THE FACTORY**

Dongguan Better Electronics Technology Co., Ltd.  
NanMen Village, HengKeng Administrative Zone LiaoBu Town, Dongguan, Guangdong, China.

## **PRODUCT NAME, MODEL AND SPECIFICATION**

Sub-miniature fuse-links

332 T500mAL250V、332 T630mAL250V、332 T800mAL250V、332 T1AL250V、332 T1.  
25AL250V、332 T1.6AL250V、332 T2AL250V、332 T2.5AL250V、332 T3.15AL250V、33  
2 T4AL250V、332 T5AL250V、332 T6.3AL250V、332 T8AL250V

## **THE STANDARDS AND TECHNICAL REQUIREMENTS FOR THE PRODUCTS**

GB/T9364.3-2018;GB/T9364.1-2015

**This is to certify that the above mentioned product(s) complies with the requirements of  
implementation rules for compulsory certification(REFNO.CNCA-C02-01:2014).**

**Valid from:** Oct.11,2019

**Valid until:** Oct.11,2024

**The validity of the certificate is subject to positive result of the regular follow up  
inspection by issuing certification body until the expiry date.**

The certificate information is available through CNCA's website: [www.cnca.gov.cn](http://www.cnca.gov.cn)



President:

Lu Mei



## **CHINA QUALITY CERTIFICATION CENTRE**



# 適合証明書

証明書番号 Certificate No.  
PSE15020940

Certificate of Conformity

申請者照会番号 Applicant Reference  
CJP2015102004-1201

発行年月日 Date of Issue  
2015年11月18日

申請者 Applicant  
DONGGUAN BETTER ELECTRONICS  
TECHNOLOGY CO.,LTD  
ROOM 601 OF 16 BLOCK, XINZHUYUAN, NO 4,  
XINZHU ROAD, SONSHANLAKE HIGHTECH  
INDUSTRIAL DEVELOPMENT ZONE,  
DONGGUAN CITY, GUANGDONG PROVINCE,  
P.R.CHINA 523808

製造工場 Factory  
DONGGUAN BETTER ELECTRONICS  
TECHNOLOGY CO.,LTD  
NANMEN VILLAGE, HENKENG  
ADMINISTRATIVE ZONE LIAOBU TOWN,  
DONGGUAN, GUANGDONG, P.R.CHINA 523413



## 検査の方法 Standard for Certificate

- 電気用品の技術基準の解釈 別表第十二 国際規格等に準拠した基準  
J60127-1(H26); J60127-3(H20)
- 施行規則別表第四  
Appendix 4 of the Enforcement Regulations

特定電気用品名 :  
Name of Specified Electrical  
Appliance and Material

その他の包装ヒューズ  
Other enclosed fuses

型式の区分 :  
Type Classification

(「添付書類」参照)  
(Refer to Attachment)

モデル名 :

332 T1AL250V, 332 T1.25AL250V, 332 T1.6AL250V, 332 T2AL250V,  
332 T2.5AL250V, 332 T3.15AL250V, 332 T4AL250V, 332 T5AL250V

Model

製造事業者 :  
Manufacturer

DONGGUAN BETTER ELECTRONICS TECHNOLOGY CO.,LTD

証明書の有効期間 :  
Validity of Certificate

2022年11月17日までに有効です。  
This certificate is expired on Nov. 17th, 2022

これは、上記申請者より申請のあった上記特定電気用品及び製造工場が、電気用品安全法第八条第一項に規定する技術基準及び同法第九条第二項の経済産業省令で定める基準に適合していることを証明するものです。

This is to certify that the above-mentioned Specified Electrical Appliances and Materials and the factory which the above-mentioned applicant applied for have been complied with the Technical Requirements stipulated by Article 8, Paragraph 1 of the Electrical Appliance and Material Safety Law and the requirements stipulated by the METI Ordinance specified in Article 9, paragraph 2 of the said law.

中国品質認証センター  
CHINA QUALITY  
CERTIFICATION CENTRE

氏名  
Name

発行者  
Issued by



中国100070北京市南四环西路188号9区  
Section 9, No.188, Nansihuan Xilu, Beijing 100070, China

PJ 0004160



# 適合証明書

Certificate of Conformity

添付書類 Attachment 1

証明書番号(Certificate No.):  
PSE15020940

発行日 Date of Issue:  
2015年11月18日

## 【型式の区分 Type Classification】

特定電気用品:  
(Name of Specified Electrical Appliance and Material)

その他の包装ヒューズ  
Other enclosed fuses

要素	区分
定格電圧	(1) 125V以下のもの (2) 125Vを超えるもの
定格電流 (定格電流表示のあるものの場合に限る。)	(1) 5A以下のもの (2) 5Aを超え15A以下のもの (3) 15Aを超え30A以下のもの (4) 30Aを超え60A以下のもの (5) 60Aを超え100A以下のもの (6) 100Aを超えるもの
適用電動機の定格容量 (定格電流表示のないものの場合に限る。)	(1) 単相で200W以下のもの (2) 単相で200Wを超え400W以下のもの (3) 単相で400Wを超え750W以下のもの (4) 単相で750Wを超えるもの (5) 3相で750W以下のもの (6) 3相で750Wを超え2.2kW以下のもの (7) 3相で2.2kWを超え3.7kW以下のもの (8) 3相で3.7kWを超え7.5kW以下のもの (9) 3相で7.5kWを超えるもの
可溶体の主材料	(1) 銀のもの (2) アルミニウムのもの (3) 亜鉛のもの (4) 鉛のもの (5) 銅のもの (6) その他のもの

中国品質認証センター  
CHINA QUALITY  
CERTIFICATION CENTRE

氏名  
Name

発行者  
Issued by



中国100070北京市南四環西路188号9区

Section 9, No.188, Nansihuan Xilu, Beijing 100070, China



# 適合証明書

Certificate of Conformity

添付書類 Attachment 2

証明書番号(Certificate No.) :  
PSE15020940

発行日 Date of Issue :  
2015年11月18日

## 【 型式の区分 Type Classification 】

特定電気用品 :  
(Name of Specified Electrical Appliance and Material)

その他の包装ヒューズ  
Other enclosed fuses

可溶体の数	(1) 1のもの (2) 2以上のもの
再使用 (管形ヒューズを除く。)	(1) できるもの (2) できないもの
内部充てん物	(1) あるもの (2) ないもの
筒 (内筒を除く。) の材料	(1) フェノール樹脂のもの (2) ファイバーのもの (3) 磁器のもの又はガラスのもの (4) ポリエステル樹脂のもの (5) メラミン樹脂のもの (6) ユリア樹脂のもの (7) その他のもの
端子	(1) 刃形のもの (2) 筒形のもの (3) 締付け形のもの (4) リード線付きのもの (5) その他のもの
排気孔	(1) あるもの (2) ないもの
溶断の表示	(1) あるもの (2) ないもの
用途	(1) 電動機用のもの (2) 電子機器用のもの (3) 短絡保護専用のもの (4) その他のもの

中国品質認証センター  
CHINA QUALITY  
CERTIFICATION CENTRE

氏名  
Name

発行者  
Issued by



中国100070北京市南四环西路188号9区

Section 9, No.188, Nansihuan Xilu, Beijing 100070, China



# 適合証明書

Certificate of Conformity

添付書類 Attachment 3

証明書番号(Certificate No.):  
PSE15020940

発行日 Date of Issue:  
2015年11月18日

## 【型式の区分 Type Classification】

特定電気用品:  
(Name of Specified Electrical Appliance and Material)

その他の包装ヒューズ  
Other enclosed fuses

定格遮断電流	<ul style="list-style-type: none"> <li>(1) 100A以下のもの</li> <li>(2) 100Aを超え300A以下のもの</li> <li>(3) 300Aを超え500A以下のもの</li> <li>(4) 500Aを超え1,000A以下のもの</li> <li>(5) 1,000Aを超え1,500A以下のもの</li> <li>(6) 1,500Aを超え2,500A以下のもの</li> <li>(7) 2,500Aを超え5,000A以下のもの</li> <li>(8) 5,000Aを超え7,500A以下のもの</li> <li>(9) 7,500Aを超え10,000A以下のもの</li> <li>(10) 10,000Aを超え15,000A以下のもの</li> <li>(11) 15,000Aを超え20,000A以下のもの</li> <li>(12) 20,000Aを超え25,000A以下のもの</li> <li>(13) 25,000Aを超え30,000A以下のもの</li> <li>(14) 30,000Aを超えるもの</li> </ul>
--------	--

中国品質認証センター  
CHINA QUALITY  
CERTIFICATION CENTRE

氏名  
Name

発行者  
Issued by



中国100070北京市南四環西路188号9区

Section 9, No.188, Nansihuan Xilu, Beijing 100070, China



# Zertifikat

mit überwachter Konformität

# Certificate

of surveyed conformity



Zertifikat Nr. *Certificate No.*  
J 50158950

Blatt *Page*  
0001

<i>Ihr Zeichen Client Reference</i>	<i>Unser Zeichen Our Reference</i>	<i>Ausstellungsdatum</i>	<i>Date of Issue</i>
	05-JP- 16016423 001	06.07.2009	(day/mo/yr)

**Genehmigungsinhaber License Holder**  
Dongguan Better Electronics  
Technology Co., Ltd.  
Nanmen Village, Hengken  
Administrative Zone, Liaobu Town  
Dongguan, Guangdong  
P.R. China

**Fertigungsstätte Manufacturing Plant**  
Dongguan Better Electronics  
Technology Co., Ltd.  
Nanmen Village, Hengken  
Administrative Zone, Liaobu Town  
Dongguan, Guangdong  
P.R. China

**Prüfzeichen Test Mark**

**Geprüft nach Tested acc. to**  
EN 60127-1:2006  
EN 60127-3:1996+A2



TÜVRheinland

**Zertifiziertes Produkt (Geräteidentifikation)**  
**Certified Product (Product Identification)**

**Lizenzentgelte - Einheit**  
**License Fee - Unit**

(Sub-miniature Fuse-link)

Type Designation	: 332	5
Rated Voltage	: AC 250V; 50/60Hz	
Rated Current (In)	: 1A, 2A	
Time/Current Characteristic:	T	
Rated Breaking Capacity	: 35A	
Dimension	: 4.1mmx11mm	

Remark:

The requirements of standard sheet 4 were taken into consideration.

The labelling requirements acc. to EU Directive 2001/95 have to be observed for distribution within the EEA.

5

ANLAGE (Appendix): 1



Zertifizierungsstelle

Dem Zertifikat liegt unsere Prüf- und Zertifizierungsordnung zugrunde.  
Das Produkt entspricht den o.g. Anforderungen, die Herstellung wird überwacht.  
This certificate is based on our Testing and Certification Regulation. The product fulfills above-mentioned-requirements, the production is subject to surveillance.

TÜV Rheinland Product Safety GmbH, Am Grauen Stein, D-51105 Köln

Dipl.-Ing. (FH) T. Zimmer

# Zertifikat

mit überwachter Konformität

# Certificate

of surveyed conformity



Zertifikat Nr. *Certificate No.*  
J 50158950

Blatt *Page*  
0002

Ihr Zeichen *Client Reference*

Unser Zeichen *Our Reference*  
05-JP- 16016423 002

Ausstellungsdatum  
11.12.2009

*Date of Issue*  
(day/month/yr)

**Genehmigungsinhaber *License Holder***

Dongguan Better Electronics  
Technology Co., Ltd.  
Nanmen Village, Hengken  
Administrative Zone, Liaobu Town  
Dongguan, Guangdong  
P.R. China

**Fertigungsstätte *Manufacturing Plant***

Dongguan Better Electronics  
Technology Co., Ltd.  
Nanmen Village, Hengken  
Administrative Zone, Liaobu Town  
Dongguan, Guangdong  
P.R. China

**Prüfzeichen *Test Mark***

**Geprüft nach *Tested acc. to***

EN 60127-1:2006  
EN 60127-3:1996+A2



**Zertifiziertes Produkt (Geräteidentifikation)**  
*Certified Product (Product Identification)*

**Lizenzentgelte - Einheit**  
*License Fee - Unit*

(Sub-miniature Fuse-link)

as page 0001

Addition

Rated Current (In) : 500mA, 630mA, 800mA, 1.6A,  
2.5A, 3.15A, 4A, 5A, 6.3A

Remark:

The requirements of standard sheet 4 were taken into consideration.

The labelling requirements acc. to EU Directive 2001/95 have to be observed for distribution within the EEA.



Dem Zertifikat liegt unsere Prüf- und Zertifizierungsordnung zugrunde.  
Das Produkt entspricht den o.g. Anforderungen, die Herstellung wird überwacht.  
This certificate is based on our Testing and Certification Regulation. The product fulfills above mentioned requirements, the production is subject to surveillance.

Zertifizierungsstelle

TÜV Rheinland Product Safety GmbH, Am Grauen Stein, D-51105 Köln  
Tel.: (+49/221)8 06 - 13 71 e-mail: cert-validity@de.tuv.com  
Fax: (+49/221)8 06 - 39 35 http://www.tuv.com/safety

Dipl.-Ing. (FH) T. Zimmer

# Zertifikat

mit überwachter Konformität

# Certificate

of surveyed conformity



Zertifikat Nr. *Certificate No.*  
J 50158950

Blatt *Page*  
0003

Ihr Zeichen *Client Reference*

Unser Zeichen *Our Reference*  
05-YW- 16016423 003

Ausstellungsdatum  
31.10.2012

*Date of Issue*  
(day/mo/yr)

**Genehmigungsinhaber *License Holder***

Dongguan Better Electronics  
Technology Co., Ltd.  
Nanmen Village, Hengken  
Administrative Zone, Liaobu Town  
Dongguan, Guangdong  
P.R. China

**Fertigungsstätte *Manufacturing Plant***

Dongguan Better Electronics  
Technology Co., Ltd.  
Nanmen Village, Hengken  
Administrative Zone, Liaobu Town  
Dongguan, Guangdong  
P.R. China

**Prüfzeichen *Test Mark***

Geprüft nach *Tested acc. to*  
EN 60127-1:2006  
EN 60127-3:1996+A2



Zertifiziertes Produkt (Geräteidentifikation)  
*Certified Product (Product Identification)*

Lizenzentgelte - Einheit  
*License Fee - Unit*

(Sub-miniature Fuse-link)

as pages 0001-0002

Addition

Rated Current (In) : 250mA, 315mA, 400mA, 1.25A

Remark:

The requirements of standard sheet 4 were taken into consideration.

The labelling requirements acc. to EU Directive 2001/95 have to be observed for distribution within the EEA.

ANLAGE (Appendix): 1.1

Dem Zertifikat liegt unsere Prüf- und Zertifizierungsordnung zugrunde.  
Das Produkt entspricht den o.g. Anforderungen, die Herstellung wird überwacht.  
This certificate is based on our Testing and Certification Regulation. The product fulfills above mentioned requirements, the production is subject to surveillance.

TÜV Rheinland LGA Products GmbH, Tillystraße 2, 90431 Nürnberg  
Tel.: +49 221 806-1371 e-mail: cert-validity@de.tuv.com  
Fax: +49 221 806-3935 http://www.tuv.com/safety

Zertifizierungsstelle



  
Dipl.-Ing. (FH) T. Zimmer

# Zertifikat

mit überwachter Konformität

# Certificate

of surveyed conformity



Zertifikat Nr. *Certificate No.*  
J 50158950

Blatt *Page*  
0004

<i>Ihr Zeichen Client Reference</i>	<i>Unser Zeichen Our Reference</i>	<i>Ausstellungsdatum</i>	<i>Date of Issue</i> <i>(day/mo/yr)</i>
	05-YFC- 16016423 004	17.02.2014	

**Genehmigungsinhaber *License Holder***  
Dongguan Better Electronics  
Technology Co., Ltd.  
Nanmen Village, Hengken  
Administrative Zone, Liaobu Town  
Dongguan, Guangdong  
P.R. China

**Fertigungsstätte *Manufacturing Plant***  
Dongguan Better Electronics  
Technology Co., Ltd.  
Nanmen Village, Hengken  
Administrative Zone, Liaobu Town  
Dongguan, Guangdong  
P.R. China

## Prüfzeichen *Test Mark*



Safety  
Regular  
Production  
Surveillance

www.tuv.com  
ID 080000000

**Geprüft nach *Tested acc. to***  
EN 60127-1:2006+A1  
EN 60127-3:1996+A2

**Zertifiziertes Produkt *(Geräteidentifikation)***  
***Certified Product (Product Identification)***

**Lizenzentgelte - Einheit**  
***License Fee - Unit***

(Sub-miniature Fuse-link)

as pages 0001-0003

Change

Test Requirement : see above

### Remark:

The requirements of standard sheet 4 were taken into consideration.

The labelling requirements acc. to EU Directive 2001/95 have to be observed for distribution within the EEA.



*Dem Zertifikat liegt unsere Prüf- und Zertifizierungsordnung zugrunde.  
Das Produkt entspricht den o.g. Anforderungen, die Herstellung wird überwacht.  
This certificate is based on our Testing and Certification Regulation. The product  
fulfills above mentioned requirements, the production is subject to surveillance.*

Zertifizierungsstelle

TÜV Rheinland LGA Products GmbH, Tillystraße 2, 90431 Nürnberg  
Tel.: +49 221 806-1371 e-mail: cert-validity@de.tuv.com  
Fax: +49 221 806-3935 http://www.tuv.com/safety

G. Yin

# Zertifikat

mit überwachter Konformität

# Certificate

of surveyed conformity



Zertifikat Nr. *Certificate No.*  
J 50158950

Blatt *Page*  
0005

Ihr Zeichen *Client Reference*

Unser Zeichen *Our Reference*

Ausstellungsdatum  
11.05.2017

*Date of Issue*  
(day/mo/yr)

05-YFC- 16016423 005

## Genehmigungsinhaber *License Holder*

Dongguan Better Electronics  
Technology Co., Ltd.  
Nanmen Village, Hengkeng  
Administrative Zone, Liaobu Town  
Dongguan, Guangdong  
P.R. China

## Fertigungsstätte *Manufacturing Plant*

Dongguan Better Electronics  
Technology Co., Ltd.  
Nanmen Village, Hengkeng  
Administrative Zone, Liaobu Town  
Dongguan, Guangdong  
P.R. China

## Prüfzeichen *Test Mark*



Safety  
Regular  
Production  
Surveillance

www.tuv.com  
ID 0800000000

## Geprüft nach *Tested acc. to*

EN 60127-1:2006+A1+A2  
EN 60127-3:2015

Zertifiziertes Produkt (Geräteidentifikation)  
*Certified Product (Product Identification)*

Lizenzentgelte - Einheit  
*License Fee - Unit*

(Sub-miniature Fuse-link)

as pages 0001-0004

Change

Test Requirement : see above

### Remark:

The requirements of standard sheet 4 were taken into consideration.

The labelling requirements acc. to EU Directive 2001/95 have to be observed for distribution within the EEA.

Dem Zertifikat liegt unsere Prüf- und Zertifizierungsordnung zugrunde.  
Das Produkt entspricht den o.g. Anforderungen, die Herstellung wird überwacht.  
This certificate is based on our Testing and Certification Regulation. The product fulfills above mentioned requirements, the production is subject to surveillance.

TÜV Rheinland LGA Products GmbH, Tillystraße 2, 90431 Nürnberg  
Tel.: +49 221 806-1371 e-mail: cert-validity@de.tuv.com  
Fax: +49 221 806-3935 http://www.tuv.com/safety



**Zertifikat**  
mit überwachter Konformität

**Certificate**  
of surveyed conformity



Zertifikat Nr. *Certificate No.*  
J 50158950

Blatt *Page*  
0006

<i>Ihr Zeichen Client Reference</i>	<i>Unser Zeichen Our Reference</i>	<i>Ausstellungsdatum</i>	<i>Date of Issue</i> (day/mo/yr)
	05-YFC- 16016423 006	25.05.2018	

**Genehmigungsinhaber *License Holder***  
Dongguan Better Electronics  
Technology Co., Ltd.  
Nanmen Village, Hengkeng  
Administrative Zone, Liaobu Town  
Dongguan, Guangdong  
P. R. China

**Fertigungsstätte *Manufacturing Plant***  
Dongguan Better Electronics  
Technology Co., Ltd.  
Nanmen Village, Hengkeng  
Administrative Zone, Liaobu Town  
Dongguan, Guangdong  
P. R. China

**Prüfzeichen *Test Mark***



**Geprüft nach *Tested acc. to***  
EN 60127-1:2006+A1+A2  
EN 60127-3:2015

**Zertifiziertes Produkt (Geräteidentifikation)**  
***Certified Product (Product Identification)***

**Lizenzentgelte - Einheit**  
***License Fee - Unit***

(Sub-miniature Fuse-link)

as pages 0001-0005

Addition

Rated Current (In) : 3A

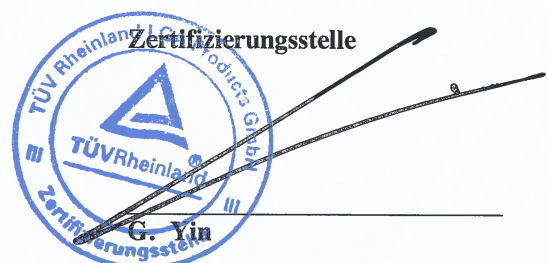
**Remark:**

The requirements of standard sheet 4 were taken into consideration.

The labelling requirements acc. to EU Directive 2001/95 have to be observed for distribution within the EEA.

Dem Zertifikat liegt unsere Prüf- und Zertifizierungsordnung zugrunde.  
Das Produkt entspricht den o.g. Anforderungen, die Herstellung wird überwacht.  
This certificate is based on our Testing and Certification Regulation. The product fulfills above mentioned requirements, the production is subject to surveillance.

TÜV Rheinland LGA Products GmbH, Tillystraße 2, 90431 Nürnberg  
Tel.: +49 221 806-1371 e-mail: cert-validity@de.tuv.com  
Fax: +49 221 806-3935 http://www.tuv.com/safety



## X-ON Electronics

Largest Supplier of Electrical and Electronic Components

*Click to view similar products for [Surface Mount Fuses](#) category:*

*Click to view products by [Better manufacturer](#):*

Other Similar products are found below :

[FHC20402ADTP](#) [NFVC6125S0R50TRF](#) [SFT-125MA](#) [TF16SN2.00TTD](#) [7010.9810.57](#) [FCC16501ABTP](#) [FCC16102ABTP](#) [FHC16322ADTP](#)  
[0308.250UR](#) [0308.375UR](#) [0308.500UR](#) [0308.750UR](#) [0308001.UR](#) [030801.5UR](#) [FCC16202ABTP](#) [F0603G0R03FNTR](#) [SKY87604-12](#)  
[SKY87604-11](#) [SKY87604-13](#) [3404.0110.22](#) [7010.9962.63](#) [R451003.L](#) [R451.500L](#) [R451001.L](#) [3-103-119](#) [3-103-123](#) [SGB401](#) [SGB075](#)  
[CFS06V3TR63](#) [F06F3](#) [F06F0.25](#) [F06T0.5](#) [F06F1](#) [F06F8](#) [F06T1](#) [F06F2](#) [F06F0.75](#) [F06F6](#) [F06F1.5](#) [F06T2](#) [0603FA-2HF](#) [24T 7A250V](#) [06](#)  
[100.2.5](#) [F06F2.5](#) [F06T1.5](#) [CLM1612P1412](#) [06 100.0.25](#) [06 100.0.375](#) [06 100.0.5](#) [0603WNF200A032V](#)