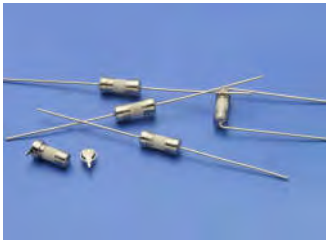


Document Record						
No.	Date	Modified Content	Page	Edition	Prepared/modified by	Checked by
1	2013.01.20	Draft	7	A/0	Runsong Zhong	Lianghua Guo
2	2014.07.31	Release Edition	8	B/0	Kings Luo	Wenhua Yan
3	2015.06.24	Add UL certification	6	B/1	Jeffery	Gem Guo
4	2015.08.04	Update UL certification		B/2	Jeffery	Gem Guo
5	2015.12.12	Update PSE certification		B/3	Jeffery	Lin Gao
6	2017.12.08	Update KC,SEMKO certification		B/4	J.Q.	Fei Gao
7	2018.05.31	Update CQC certification		B/5	J.Q.	Fei Gao
8	2018.10.12	Add the 8A 10A IT Curve Graph	6	C/0	Xiang Xiong	Fei Gao
9	2018.11.30	Add supplementary code annotation	4	C/1	Xiang Xiong	Fei Gao

TABLE OF CONTENTS

1. SCOPE AND DESCRIPTION.....	3
2. GENERAL INFORMATION.....	3
3. AGENCY APPROVALS.....	3
4. PART NUMBERING SYSTEM.....	4
5. MECHANICAL SPECIFICATIONS.....	5
6. ELECTRICAL SPECIFICATIONS.....	6
7. SOLDERING PARAMETERS.....	8
8. ORDERING INFORMATION.....	8
9. PACKING INFORMATION.....	9
10. APPENDIX.....	10

1. SCOPE AND DESCRIPTION



Following electronic product specifications apply to fuses of the 334 series. The 334 series is a time-lag type subminiature fuse for over-current protection.

With its low breaking capacity, this fuse series is ideal for applications like lighting, power supplies and power adapters to provide excellent protection for components and circuits.

2. GENERAL INFORMATION








General Description

334 series time-lag low breaking capacity fuse with printed circuit boards is used in a large variety of applications. The 3.6x10mm device is constructed of a ceramic tube with electro-plated brass end caps. The 334 series with 250 VAC rating and 35A or 10In (10 times of rated current) breaking capacity, offers excellent quality and is 100% tested for cold resistance and precise length.

Detailed Features

- Subminiature fuse with time-lag, low breaking capacity
- 3.6mm x 10mm physical dimensions
- Ceramic tube, encapsulated design with nickel - plated brass end caps
- Optional axial leads are $\Phi 0.65\text{mm}$ @ 200mA~7A and $\Phi 0.8\text{mm}$ @ 8A~10A
- Protection against harmful over-currents in primary and secondary applications.
- Lead-free, Halogen-free, RoHS compliant
- Designed compliant to IEC 60127-3/IV

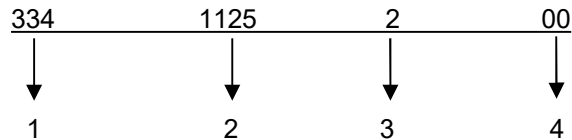
3. AGENCY APPROVALS

Agency	Agency File Number	Ampere/ Voltage Range
	40025428	250V AC: 500mA; 630mA; 800mA; 1A; 1.25A 1.6A; 2A; 2.5A; 3.15A; 4A; 5A
	PSE15020938	250V: 1A; 1.25A; 1.6A; 2A; 2.5A; 3.15A; 4A; 5A
	CQC08012026251 CQC11012066016 CQC12012080425 CQC18012193691	250V: 500mA; 630mA; 800mA; 1A; 1.25A; 1.6A; 2A; 2.5A; 3.15A; 4A; 5A 250V: 250mA; 250V: 6.3A 250V:10A
	J 50159105	250V AC: 200mA; 250mA; 315mA; 6.3A
	E300003	125VAC/250VAC: 250mA~10A
	SU05042-17006 SU05042-17007	250V AC:1A;1.25A;1.6A,2A,2.5A 250V AC:3.15A;4A;5A
	1719060	250V AC:1A;1.25A;1.6A;2A;2.5A;3.15A;4A;5A

4. PART NUMBERING SYSTEM

4.1 Part Number

Example: 3341125200



1 .Product Series	334
2 . Ampere Rating/ Code	1.25A (see table 4.2 below)
3 .Voltage Rating	2 – 250V
	1 – 125V
4 . Supplementary Code	Complement Code(see table 4.3 below)

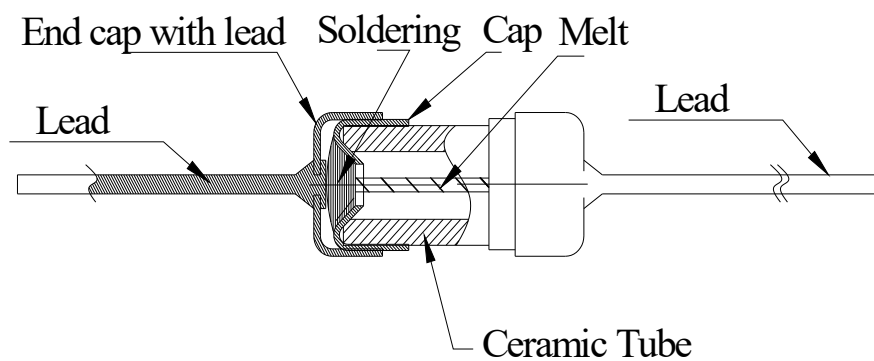
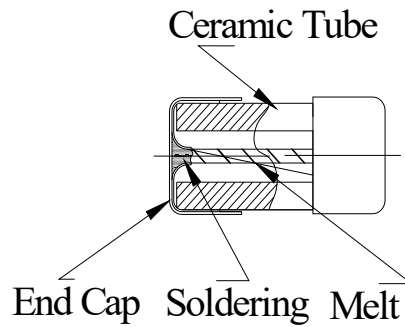
4.2. Ampere Rating Table

AMP CODE	CURRENT RATING	VOLTAGE RATING
0200	200mA	125V/250V
0250	250mA	125V/250V
0300	300mA	125V/250V
0315	315mA	125V/250V
0350	350mA	125V/250V
0375	375mA	125V/250V
0400	400mA	125V/250V
0500	500mA	125V/250V
0630	630mA	125V/250V
0750	750mA	125V/250V
0800	800mA	125V/250V
1100	1.00A	125V/250V
1125	1.25A	125V/250V
1150	1.50A	125V/250V
1160	1.60A	125V/250V
1200	2.00A	125V/250V
1250	2.50A	125V/250V
1300	3.00A	125V/250V
1315	3.15A	125V/250V
1350	3.50A	125V/250V
1400	4.00A	125V/250V
1500	5.00A	125V/250V
1630	6.30A	125V/250V
1700	7.00A	125V/250V
1800	8.00A	125V/250V
2100	10.00A	125V/250V

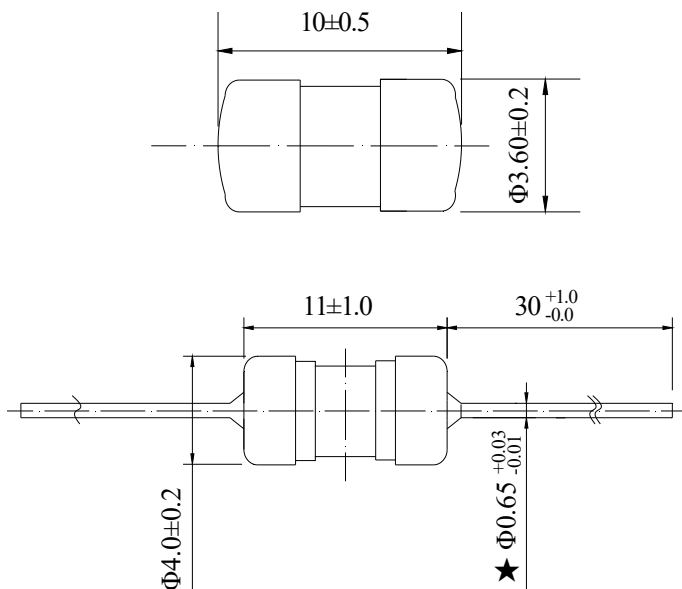
4.3. Supplementary Code

CODE	DESIGNATION
00	No marking, 30mm leads
01	Marking, 30mm leads
02	No marking, 45mm leads
03	Normal
04	No marking 30mmleads ,Add black tube
05	Resin coated and taping
06	No marking,30mm leads and taping

5. MECHANICAL SPECIFICATIONS



Dimensions (units: mm)



★:
200mA~7A : Φ0.65mm
8A~10A : Φ0.80mm

Operating Temperature:

-55°C to 125°C

Storage Conditions:

+10°C to +60°C

Relative humidity: ≤ 75% yearly average
without dew, maximum 30 days at 95%

Vibration Resistance:

24 cycles at 15 min. each (60068-6)

10-60Hz at 0.75mm amplitude

60-2000Hz at 10g acceleration

6. ELECTRICAL SPECIFICATIONS

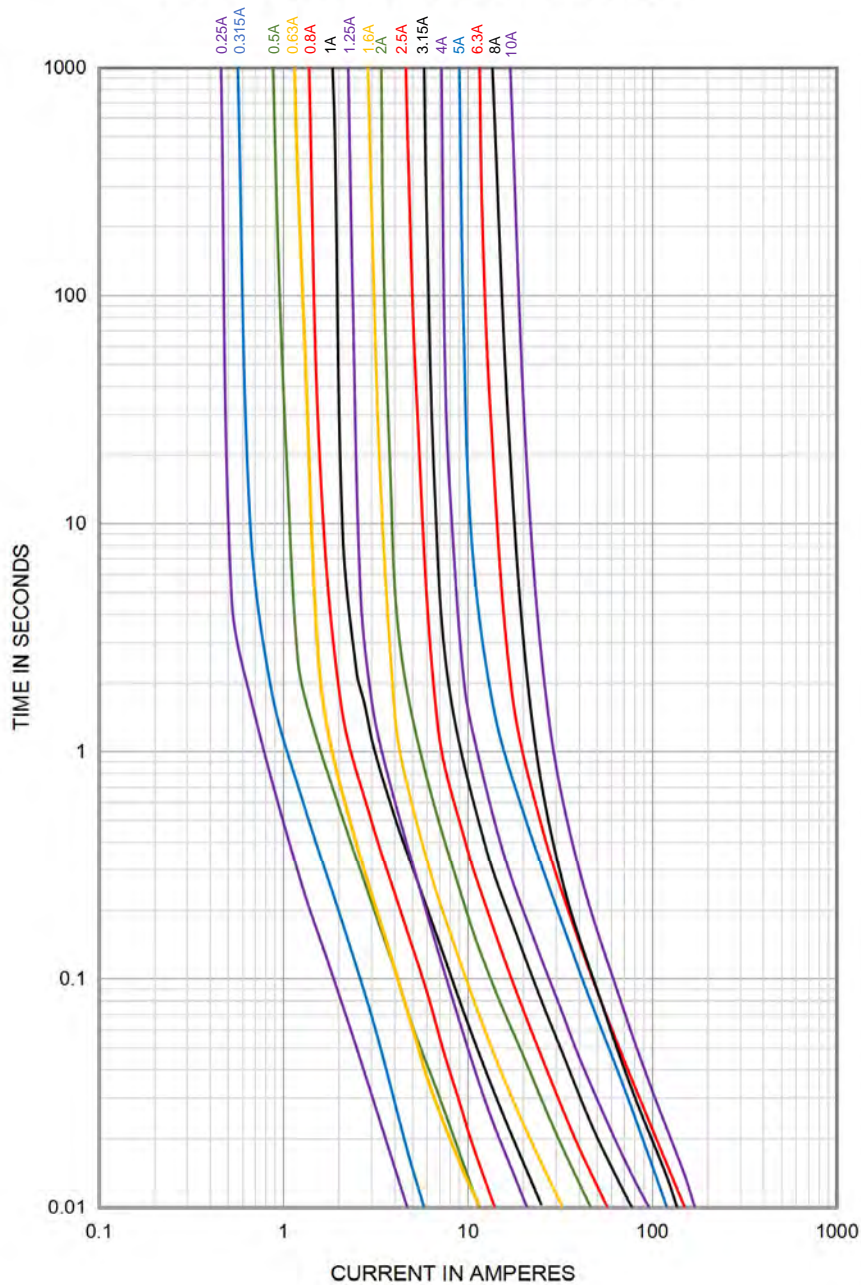
Time vs Current Characteristics Table

(measured with constant current power supply)

Time vs Current Characteristics: IEC-60127-3/IV					
Rated current	150%	210%	275%	400%	1000%
200mA~10A	>1h	<2min	400ms~10s	150ms~3s	20ms~150ms

Average Time Current (I-T) Curves

Average Current Curve(I-T Curve)

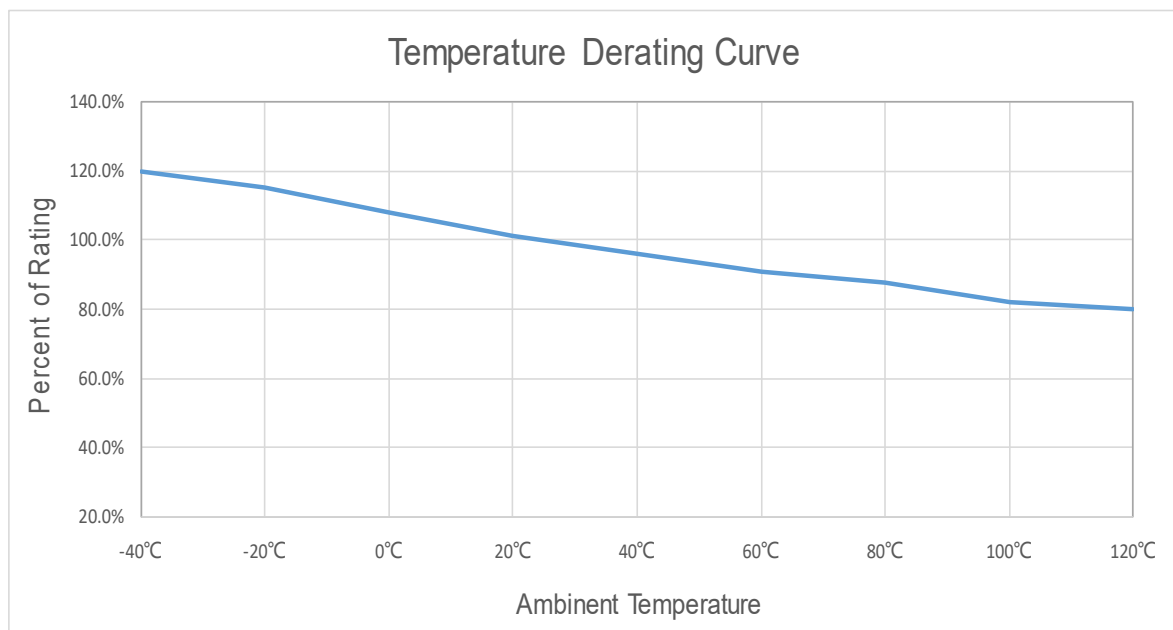


Electrical characteristics

Electrical Characteristics							Approvals								
Amp Code	Rated Current	Max. Voltage	Voltage Drop Max (mV)	Max. Power Dissipation (mW)	Nominal Melting I ² t(A ² sec)	Breaking Capacity	cULus	cURus	VDE	CQC	TUV	PSE	KC	SEMKO	
0200	200mA	250V AC	260	200	0.1296	50A@125V AC 35A or 10In@250VAC 50-60Hz Cosφ=1.0	○	○	○	○	●	○	○	○	
0250	250mA		240	220	0.221		●	●	○	●	●	○	○	○	○
0300	300mA		230	250	0.292		●	●	○	○	○	○	○	○	○
0315	315mA		220	250	0.336		●	●	○	○	●	○	○	○	○
0350	350mA		210	250	0.397		●	●	○	○	○	○	○	○	○
0375	375mA		210	280	0.456		●	●	○	○	○	○	○	○	○
0400	400mA		200	280	0.722		●	●	○	○	○	○	○	○	○
0500	500mA		190	310	1.0		●	●	●	●	○	○	○	○	○
0630	630mA		180	360	1.35		●	●	●	●	○	○	○	○	○
0750	750mA		170	430	1.82		●	●	○	○	○	○	○	○	○
0800	800mA		160	430	1.56		●	●	○	○	○	○	○	○	○
1100	1.00A		140	500	6.5		●	●	●	●	○	●	●	●	●
1125	1.25A		130	600	4.62		●	●	●	●	○	●	●	●	●
1150	1.50A		120	730	10.6		●	●	○	○	○	○	○	○	○
1160	1.60A		120	730	10.9		●	●	●	●	○	●	●	●	●
1200	2.00A		100	870	20.3		●	●	●	●	○	●	●	●	●
1250	2.50A		100	1000	32.5		●	●	○	○	○	●	●	●	●
1300	3.00A		100	1200	59.3	●	●	○	○	○	○	○	○	○	
1315	3.15A		100	1200	74.52	●	●	●	●	○	●	●	●	●	
1350	3.50A		100	1200	90.3	●	●	○	○	○	○	○	○	○	
1400	4.00A		100	1400	94.1	●	●	●	●	○	●	●	●	●	
1500	5.00A	100	1400	121	●	●	●	●	○	●	●	●	●		
1630	6.30A	100	1400	225	●	●	○	○	○	○	○	○	○		
1700	7.00A	100	1400	110	●	●	○	○	○	○	○	○	○		
1800	8.00A	100	1400	121	●	●	○	○	○	○	○	○	○		
2100	10.00A	100	1400	196	●	●	○	○	○	○	○	○	○		

Note: (1) Permissible continuous operating current is ≤100% at ambient temperature of 23°C (73.4°F)
 (2) The cULus and cURus certification by 125V and 250V; the others certification by 250V.

Temperature Derating Curve



$$\text{Calculation for ideal fuse selection} = \frac{\text{Operating Current (A)}}{\text{Rating (\%} \times 0.75)}$$

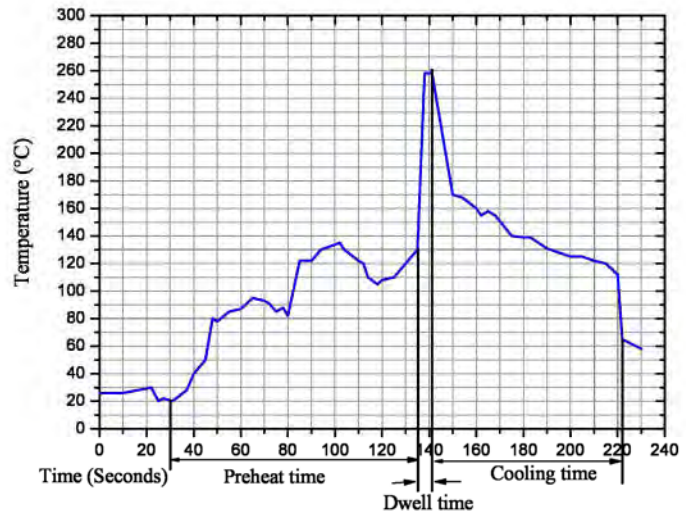
7. SOLDERING PARAMETERS

260°C. ≤5 sec (Wave Soldering)

350°C. ≤3 sec (Hand Soldering)

Soldering Peak:

260°C - 10 sec (IEC 60068-20)



8. ORDERING INFORMATION

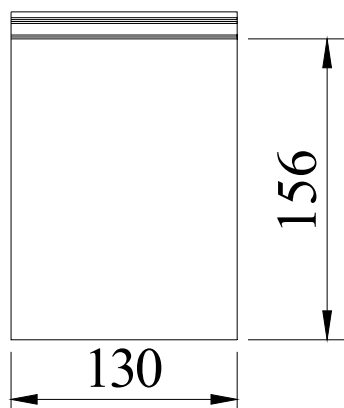
The following information are necessary in order to place your order with us correctly:

Series No.	Amp Code	Packaging Code	Quantity	Purchase Order No.
334				

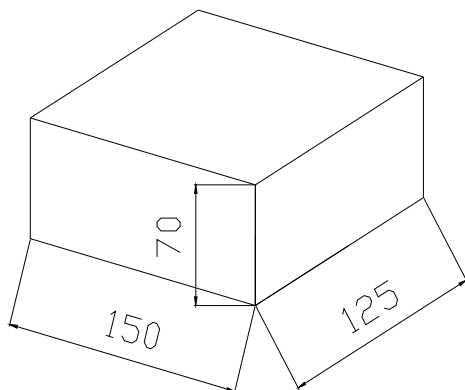
9. PACKING INFORMATION

Packing details

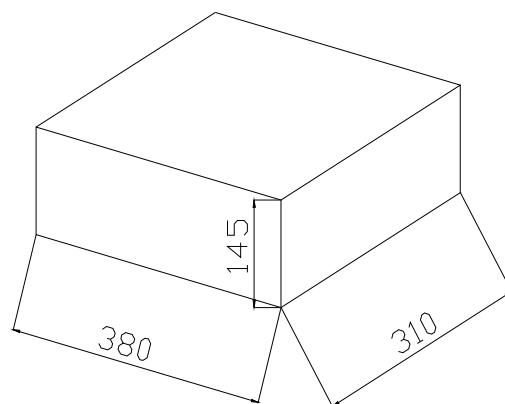
Plastic bag



Inner Box



Master Carton



Net Weight (500pcs/bag)	162g	Inner box weight	1.7kg	Master Carton Weight	17.7kg
Qty per bag	500pcs	Qty per box	5000pcs	Qty per carton	50000pcs

© Dongguan Better Electronics Technology Co.,ltd.

东莞市贝特电子科技股份有限公司

Room 601 of 16 Block, Xinzhu Yuan, No.4, Xinzhu Road, Songshanlake Hightech Industrial Development Zone, Dongguan City, Guangdong P.R.C
 中国广东省东莞市松山湖国家高新技术产业开发区新竹路4号新竹苑16座办公601

Tel: +86 769-2307 8212 Fax: +86 769-8352 1857

Web: www.betterfuse.com

Email: info@betterfuse.com

10. APPENDIX



ONLINE CERTIFICATIONS DIRECTORY

JDYX.E300003 Fuses, Supplemental

[Page Bottom](#)

Fuses, Supplemental

[See General Information for Fuses, Supplemental](#)

DONGGUAN BETTER ELECTRONICS TECHNOLOGY CO LTD
RM 601 OF 16 BLK
XINZHUYUAN NO 4 XINZHU RD
SONGSHANLAKE HIGHTECH INDUSTRIAL DEVELOPMENT ZONE
DONGGUAN, GUANGDONG 523808 CHINA

E300003

Supplemental micro fuses: cartridge enclosed

Cat. No.	Size mm(in)	Amps (A)	Volts (V)	Interrupting Rating (A)
333	3.6 x 10 (0.14 x 0.39)	0.25 - 10	125Vac	50
		0.25 - 10	250Vac	50
334	3.6 x 10 (0.14 x 0.39)	0.25 - 10	125Vac	50
		0.25 - 10	250Vac	50

x - Where x represents number.

[Last Updated](#) on 2015-07-17

[Questions?](#)

[Print this page](#)

[Terms of Use](#)

[Page Top](#)

© 2015 UL LLC

The appearance of a company's name or product in this database does not in itself assure that products so identified have been manufactured under UL's Follow-Up Service. Only those products bearing the UL Mark should be considered to be Certified and covered under UL's Follow-Up Service. Always look for the Mark on the product.

UL permits the reproduction of the material contained in the Online Certification Directory subject to the following conditions:
1. The Guide Information, Assemblies, Constructions, Designs, Systems, and/or Certifications (files) must be presented in their entirety and in a non-misleading manner, without any manipulation of the data (or drawings). 2. The statement "Reprinted from the Online Certifications Directory with permission from UL" must appear adjacent to the extracted material. In addition, the reprinted material must include a copyright notice in the following format: "© 2015 UL LLC".



产品认证证书

证书编号: CQC11012066016

申请人名称及地址

东莞市贝特电子科技股份有限公司
东莞市松山湖高新技术产业开发区新竹路4号新竹苑16座办公601

制造商名称及地址

东莞市贝特电子科技股份有限公司
东莞市松山湖高新技术产业开发区新竹路4号新竹苑16座办公601

生产企业名称及地址

东莞市贝特电子科技股份有限公司 (V003591)
东莞市寮步镇横坑南门村第二工业区C座、B座

产品名称和系列、规格、型号

超小型熔断体

334 T250mAL250V

产品标准和技术要求

GB9364.1-1997 GB9364.3-1997 CQC11-462125-2009附件2

认证模式

产品型式试验+初次工厂检查+获证后监督

上述产品符合CQC11-462125-2009认证规则的要求, 特发此证。

发证日期: 2015年08月24日

证书有效期内本证书的有效性依据发证机构的定期监督获得保持。

本证书为变更证书, 证书首次颁发日期: 2011年12月16日

主任: 



中国质量认证中心

中国·北京·南四环西路188号9区100070

<http://www.cqc.com.cn>

C 0062596



PRODUCT CERTIFICATE

No.: CQC11012066016

NAME AND ADDRESS OF THE APPLICANT

Dongguan Better Electronics Technology Co., Ltd.
Room 601 of 16 Block, Xinzhu Yuan, No. 4 Xinzhu Road, Songshanlake Hightech Industrial Development
Zone, Dongguan City

NAME AND ADDRESS OF THE MANUFACTURER

Dongguan Better Electronics Technology Co., Ltd.
Room 601 of 16 Block, Xinzhu Yuan, No. 4 Xinzhu Road, Songshanlake Hightech Industrial Development
Zone, Dongguan City

NAME AND ADDRESS OF THE FACTORY

Dongguan Better Electronics Technology Co., Ltd. (V003591)
NanMen Village, HengKeng Administrative Zone LiaoBu Town, Dongguan, Guangdong, China.

NAME, MODEL AND SPECIFICATION

Sub-miniature Fuse-links

334 T250mAL250V

THE STANDARDS AND TECHNICAL REQUIREMENTS FOR THE PRODUCTS

GB9364.1-1997 GB9364.3-1997 CQC11-462125-2009附件2

CERTIFICATION MODEL

Type Testing of Product + Initial Factory Inspection + Follow up Factory Inspection

This is to certify that the above mentioned products have met the requirements of certification rules
CQC11-462125-2009.

Date of issue: Aug.24,2015

Validity of this certificate is subject to positive result of the regular follow up inspection by issuing
certification body until the expiry date.

Date of original certification: Dec.16,2011

President: _____

Wang Kejiao



CHINA QUALITY CERTIFICATION CENTRE

Section 9, No.188, Nansihuan Xilu, Beijing 100070 P.R.China
<http://www.cqc.com.cn>

C 0062596



产品认证证书

证书编号: CQC08012026251

申请人名称及地址

东莞市贝特电子科技股份有限公司
东莞市松山湖高新技术产业开发区新竹路4号新竹苑16座办公601

制造商名称及地址

东莞市贝特电子科技股份有限公司
东莞市松山湖高新技术产业开发区新竹路4号新竹苑16座办公601

生产企业名称及地址

东莞市贝特电子科技股份有限公司 (V003591)
东莞市寮步镇横坑南门村第二工业区C座、B座

产品名称和系列、规格、型号

超小型熔断体

334 T500mAL250V, 334 T630mAL250V, 334 T800mAL250V, 334 T1AL250V, 334 T1.25AL250V, 334 T1.6AL250V, 334 T2AL250V, 334 T2.5AL250V, 334 T3.15AL250V, 334 T4AL250V, 334 T5AL250V

产品标准和技术要求

GB9364.1-1997 GB9364.3-1997 CQC11-462125-2009附件2

认证模式

产品型式试验+初次工厂检查+获证后监督

上述产品符合CQC11-462125-2009认证规则的要求, 特发此证。

发证日期: 2014年11月27日

证书有效期内本证书的有效性依据发证机构的定期监督获得保持。

本证书为变更证书, 证书首次颁发日期: 2008年10月08日

主任: _____



中国质量认证中心

中国·北京·南四环西路188号9区100070

<http://www.cqc.com.cn>

C 0064749



PRODUCT CERTIFICATE

No.: CQC08012026251

NAME AND ADDRESS OF THE APPLICANT

Dongguan Better Electronics Technology Co., Ltd.
Room 601 of 16 Block, Xinzhu Yuan, No. 4 Xinzhu Road, Songshanlake Hightech Industrial Development
Zone, Dongguan City

NAME AND ADDRESS OF THE MANUFACTURER

Dongguan Better Electronics Technology Co., Ltd.
Room 601 of 16 Block, Xinzhu Yuan, No. 4 Xinzhu Road, Songshanlake Hightech Industrial Development
Zone, Dongguan City

NAME AND ADDRESS OF THE FACTORY

Dongguan Better Electronics Technology Co., Ltd. (V003591)
NanMen Village, HengKen Administrative Zone LiaoBu Town, Dongguan, Guangdong

NAME, MODEL AND SPECIFICATION

Sub-miniature Fuse-link

334 T500mAL250V, 334 T630mAL250V, 334 T800mAL250V, 334 T1AL250V, 334 T1.25AL250V, 334 T1.6AL250V, 334
T2AL250V, 334 T2.5AL250V, 334 T3.15AL250V, 334 T4AL250V, 334 T5AL250V

THE STANDARDS AND TECHNICAL REQUIREMENTS FOR THE PRODUCTS

GB9364.1-1997 GB9364.3-1997 CQC11-462125-2009附件2

CERTIFICATION MODEL

Type Testing of Product + Initial Factory Inspection + Follow up Factory Inspection

This is to certify that the above mentioned products have met the requirements of certification rules
CQC11-462125-2009.

Date of issue: Nov.27,2014

Validity of this certificate is subject to positive result of the regular follow up inspection by issuing
certification body until the expiry date.

Date of original certification: Oct.08,2008

President: _____

Wang Kejiao



CHINA QUALITY CERTIFICATION CENTRE

Section 9, No.188, Nansihuan Xilu, Beijing 100070 P.R.China

<http://www.cqc.com.cn>

C 0064749



产品认证证书

证书编号: CQC12012080425

申请人名称及地址

东莞市贝特电子科技股份有限公司
东莞市松山湖高新技术产业开发区新竹路4号新竹苑16座办公601

制造商名称及地址

东莞市贝特电子科技股份有限公司
东莞市松山湖高新技术产业开发区新竹路4号新竹苑16座办公601

生产企业名称及地址

东莞市贝特电子科技股份有限公司 (V003591)
东莞市寮步镇横坑南门村第二工业区C座、B座

产品名称和系列、规格、型号

超小型熔断体

334 T6. 3AL250V

产品标准和技术要求

GB9364.1-1997 GB9364.3-1997 CQC11-462125-2009附件2

认证模式

产品型式试验+初次工厂检查+获证后监督

上述产品符合CQC11-462125-2009认证规则的要求, 特发此证。

发证日期: 2015年08月24日

证书有效期内本证书的有效性依据发证机构的定期监督获得保持。

本证书为变更证书, 证书首次颁发日期: 2012年09月03日

主任: _____



中国质量认证中心

中国·北京·南四环西路188号9区100070

<http://www.cqc.com.cn>

C 0062597



PRODUCT CERTIFICATE

No.: CQC12012080425

NAME AND ADDRESS OF THE APPLICANT

Dongguan Better Electronics Technology Co., Ltd.
Room 601 of 16 Block, Xinzhu Yuan, No. 4 Xinzhu Road, Songshanlake Hightech Industrial Development
Zone, Dongguan City

NAME AND ADDRESS OF THE MANUFACTURER

Dongguan Better Electronics Technology Co., Ltd.
Room 601 of 16 Block, Xinzhu Yuan, No. 4 Xinzhu Road, Songshanlake Hightech Industrial Development
Zone, Dongguan City

NAME AND ADDRESS OF THE FACTORY

Dongguan Better Electronics Technology Co., Ltd. (V003591)
NanMen Village, HengKeng Administrative Zone LiaoBu Town, Dongguan, Guangdong, China.

NAME, MODEL AND SPECIFICATION

Sub-miniature Fuse-link

334 T6.3AL250V

THE STANDARDS AND TECHNICAL REQUIREMENTS FOR THE PRODUCTS

GB9364.1-1997 GB9364.3-1997 CQC11-462125-2009附件2

CERTIFICATION MODEL


Type Testing of Product + Initial Factory Inspection + Follow up Factory Inspection

This is to certify that the above mentioned products have met the requirements of certification rules
CQC11-462125-2009.

Date of issue: Aug.24,2015

Validity of this certificate is subject to positive result of the regular follow up inspection by issuing
certification body until the expiry date.

Date of original certification: Sep.03,2012

President: 
Wang Kejiao



CHINA QUALITY CERTIFICATION CENTRE

Section 9, No.188, Nansihuan Xilu, Beijing 100070 P.R.China
<http://www.cqc.com.cn>

C 0062597



产品认证证书

证书编号：CQC18012193691

申请人名称及地址

东莞市贝特电子科技股份有限公司
东莞市松山湖高新技术产业开发区新竹路4号新竹苑16座办公601

制造商名称及地址

东莞市贝特电子科技股份有限公司
东莞市松山湖高新技术产业开发区新竹路4号新竹苑16座办公601

生产企业名称及地址

东莞市贝特电子科技股份有限公司(V003591)
东莞市寮步镇横坑南门村第二工业区C座、B座

产品名称和系列、规格、型号

超小型熔断体

334 T10AL250V

产品标准和技术要求

GB/T9364.3-1997; GB9364.1-1997; CQC11-462125-2009 附件2

认证模式

产品型式试验+初次工厂检查+获证后监督

上述产品符合 CQC11-462125-2009 认证规则的要求，特发此证。

发证日期：2018年05月22日

本证书的有效性依据发证机构的定期监督获得保持。

主任：_____



中国质量认证中心

中国·北京·南四环西路188号9区100070



PRODUCT CERTIFICATE

CERTIFICATE NO.: CQC18012193691

NAME AND ADDRESS OF THE APPLICANT

Dongguan Better Electronics Technology Co.,Ltd.
Room 601 of 16 Block, Xinzhu Yuan, No. 4 Xinzhu Road, Songshanlake Hightech Industrial Development
Zone, Dongguan City

NAME AND ADDRESS OF THE MANUFACTURER

Dongguan Better Electronics Technology Co.,Ltd.
Room 601 of 16 Block, Xinzhu Yuan, No. 4 Xinzhu Road, Songshanlake Hightech Industrial Development
Zone, Dongguan City

NAME AND ADDRESS OF THE FACTORY

Dongguan Better Electronics Technology Co.,Ltd. (V003591)
NanMen Village,HengKen Administrative Zone LiaoBu Town, Dongguan,Guandong

PRODUCT NAME, MODEL AND SPECIFICATION

Sub-miniature fuse-links
334 T10AL250V

THE STANDARDS AND TECHNICAL REQUIREMENTS FOR THE PRODUCTS

GB/T9364.3-1997; GB9364.1-1997; CQC11-462125-2009 附件 2

TYPE OF CERTIFICATION SCHEMES

Type Testing of Product + Initial Factory Inspection + Follow up Factory Inspection

This is to certify that the above mentioned product(s) complies with the requirements of certification
rules of CQC11-462125-2009 .

Valid from: May.22,2018

The validity of the certificate is subject to positive result of the regular follow up inspection by issuing
certification body.

President: _____

Wang Kejiao



CHINA QUALITY CERTIFICATION CENTRE

Section 9, No.188, Nansihuan Xilu, Beijing 100070 P.R.China
<http://www.cqc.com.cn>

C 0114402



適合証明書

Certificate of Conformity

証明書番号 Certificate No.
PSE15020938

申請者照会番号 Applicant Reference
CJP2015102004-1200

発行年月日 Date of Issue
2015年11月18日

申請者 Applicant
DONGGUAN BETTER ELECTRONICS
TECHNOLOGY CO.,LTD
ROOM 601 OF 16 BLOCK, XINZHUYUAN, NO 4,
XINZHU ROAD, SONSHANLAKE HIGHTECH
INDUSTRIAL DEVELOPMENT ZONE,
DONGGUAN CITY, GUANGDONG PROVINCE,
P.R.CHINA 523808

製造工場 Factory
DONGGUAN BETTER ELECTRONICS TECHNOLOGY
CO.,LTD
NANMEN VILLAGE, HENGKENG ADMINISTRATIVE
ZONE LIAOBU TOWN, DONGGUAN,
GUANGDONG, P.R.CHINA 523413



検査の方法 Standard for Certificate

- 電気用品の技術基準の解釈 別表第十二 国際規格等に準拠した基準
J60127-1(H26); J60127-3(H20)
- 施行規則別表第四
Appendix 4 of the Enforcement Regulations

特定電気用品名：
Name of Specified Electrical
Appliance and Material

その他の包装ヒューズ
Other enclosed fuses

型式の区分：
Type Classification

(「添付書類」参照)
(Refer to Attachment)

モデル名：

334 T1AL250V, 334 T1.25AL250V, 334 T1.6AL250V, 334 T2AL250V,
334 T2.5AL250V, 334 T3.15AL250V, 334 T4AL250V, 334 T5AL250V

Model

製造事業者：
Manufacturer

DONGGUAN BETTER ELECTRONICS TECHNOLOGY CO.,LTD

証明書の有効期間：
Validity of Certificate

2022年11月17日までに有効です。
This certificate is expired on Nov. 17th, 2022

これは、上記申請者より申請のあった上記特定電気用品及び製造工場が、電気用品安全法第八条第一項に規定する技術基準及び同法第九条第二項の経済産業省令で定める基準に適合していることを証明するものです。

This is to certify that the above-mentioned Specified Electrical Appliances and Materials and the factory which the above-mentioned applicant applied for have been complied with the Technical Requirements stipulated by Article 8, Paragraph 1 of the Electrical Appliance and Material Safety Law and the requirements stipulated by the METI Ordinance specified in Article 9, paragraph 2 of the said law.

中国品質認証センター
CHINA QUALITY
CERTIFICATION CENTRE

氏名
Name

発行者
Issued by



中国100070北京市南四环西路188号9区
Section 9, No.188, Nansihuan Xilu, Beijing 100070, China

PJ 0004150



適合証明書

Certificate of Conformity

添付書類 Attachment 1

証明書番号(Certificate No.):

PSE15020938

発行日 Date of Issue:

2015年11月18日

【型式の区分 Type Classification】

特定電気用品:

(Name of Specified Electrical Appliance and Material)

その他の包装ヒューズ

Other enclosed fuses

要素	区分
定格電圧	(1) 125V以下のもの (2) 125Vを超えるもの
定格電流 (定格電流表示のあるものの場合に限る。)	(1) 5A以下のもの (2) 5Aを超え15A以下のもの (3) 15Aを超え30A以下のもの (4) 30Aを超え60A以下のもの (5) 60Aを超え100A以下のもの (6) 100Aを超えるもの
適用電動機の定格容量 (定格電流表示のないものの場合に限る。)	(1) 単相で200W以下のもの (2) 単相で200Wを超え400W以下のもの (3) 単相で400Wを超え750W以下のもの (4) 単相で750Wを超えるもの (5) 3相で750W以下のもの (6) 3相で750Wを超え2.2kW以下のもの (7) 3相で2.2kWを超え3.7kW以下のもの (8) 3相で3.7kWを超え7.5kW以下のもの (9) 3相で7.5kWを超えるもの
可溶体の主材料	(1) 銀のもの (2) アルミニウムのもの (3) 亜鉛のもの (4) 鉛のもの (5) 銅のもの (6) その他のもの

中国品質認証センター
CHINA QUALITY
CERTIFICATION CENTRE

氏名
Name

発行者
Issued by



中国100070北京市南四環西路188号9区

Section 9, No.188, Nansihuan Xilu, Beijing 100070, China



適合証明書

Certificate of Conformity

添付書類 Attachment 2

証明書番号(Certificate No.):
PSE15020938

発行日 Date of Issue:
2015年11月18日

【型式の区分 Type Classification】

特定電気用品:
(Name of Specified Electrical Appliance and Material)

その他の包装ヒューズ
Other enclosed fuses

可溶体の数	(1) 1のもの (2) 2以上のもの
再使用 (管形ヒューズを除く。)	(1) できるもの (2) できないもの
内部充てん物	(1) あるもの (2) ないもの
筒 (内筒を除く。) の材料	(1) フェノール樹脂のもの (2) ファイバーのもの (3) 磁器のもの又はガラスのもの (4) ポリエステル樹脂のもの (5) メラミン樹脂のもの (6) ユリア樹脂のもの (7) その他のもの
端子	(1) 刃形のもの (2) 筒形のもの (3) 締付け形のもの (4) リード線付きのもの (5) その他のもの
排気孔	(1) あるもの (2) ないもの
溶断の表示	(1) あるもの (2) ないもの
用途	(1) 電動機用のもの (2) 電子機器用のもの (3) 短絡保護専用のもの (4) その他のもの

中国品質認証センター
CHINA QUALITY
CERTIFICATION CENTRE

氏名
Name

発行者
Issued by



中国100070北京市南四环西路188号9区

Section 9, No.188, Nansihuan Xilu, Beijing 100070, China



適合証明書

Certificate of Conformity

添付書類 Attachment 3

証明書番号(Certificate No.):
PSE15020938

発行日 Date of Issue :
2015年11月18日

【 型式の区分 Type Classification 】

特定電気用品 :
(Name of Specified Electrical Appliance and Material)

その他の包装ヒューズ
Other enclosed fuses

定格遮断電流	<ul style="list-style-type: none"> (1) 100A以下のもの (2) 100Aを超え300A以下のもの (3) 300Aを超え500A以下のもの (4) 500Aを超え1,000A以下のもの (5) 1,000Aを超え1,500A以下のもの (6) 1,500Aを超え2,500A以下のもの (7) 2,500Aを超え5,000A以下のもの (8) 5,000Aを超え7,500A以下のもの (9) 7,500Aを超え10,000A以下のもの (10) 10,000Aを超え15,000A以下のもの (11) 15,000Aを超え20,000A以下のもの (12) 20,000Aを超え25,000A以下のもの (13) 25,000Aを超え30,000A以下のもの (14) 30,000Aを超えるもの
--------	--

中国品質認証センター
CHINA QUALITY
CERTIFICATION CENTRE

氏名
Name

発行者
Issued by



中国100070北京市南四環西路188号9区

Section 9, No.188, Nansihuan Xilu, Beijing 100070, China

GUTACHTEN MIT FERTIGUNGSÜBERWACHUNG CERTIFICATE OF CONFORMITY WITH FACTORY SURVEILLANCE

Dongguan Better Electronics
Technology Co., Ltd.
Room 601 of 16 Block, Xinzhu Yuan
No 4, Xinzhu Road
523808 DONGGUAN
CHINA

ist berechtigt, für ihr Produkt /
is authorized to use for their product

Kleinstsicherungseinsatz
Sub-miniature fuse-link

die hier abgebildeten markenrechtlich geschützten Zeichen
für die ab Blatt 2 aufgeführten Typen zu benutzen /
the legally protected Marks as shown below for the types referred to on page 2 ff.



REG.-Nr. C893 oder/or



oder/or VDE-REG.-Nr. C893

REG.-Nr. C893

Geprüft und zertifiziert nach /
Tested and certified according to

DIN EN 60127-1 (VDE 0820-1):2015-12; EN 60127-1:2006+A1:2011+A2:2015
DIN EN 60127-3 (VDE 0820-3):2015-11; EN 60127-3:2015
IEC 60127-1:2006
IEC 60127-1:2006/AMD1:2011
IEC 60127-1:2006/AMD2:2015
IEC 60127-3:2015



Aktenzeichen: 5015514-1170-0005 / 228695

File ref.:

Ausweis-Nr. 40025428

Blatt 1

Certificate No.

Page

Weitere Bedingungen siehe Rückseite und Folgeblätter /
further conditions see overleaf and following pages

Offenbach, 2008-09-24

(letzte Änderung / updated 2016-11-21)

VDE Prüf- und Zertifizierungsinstitut GmbH
VDE Testing and Certification Institute
Zertifizierungsstelle / Certification

M. Tasotti

VDE Zertifikate sind nur gültig bei Veröffentlichung unter:
VDE certificates are valid only when published on:

<http://www.vde.com/zertifikat>
<http://www.vde.com/certificate>

Name und Sitz des Genehmigungs-Inhabers / *Name and registered seat of the Certificate holder*

Dongguan Better Electronics Technology Co., Ltd., Room 601 of 16 Block, Xinzhu Yuan, No 4, Xinzhu Road,
523808 DONGGUAN, Guangdong, CHINA

Aktenzeichen / *File ref.*

5015514-1170-0005 / 228695 / CC2 / EUL

letzte Änderung / *updated*

2016-11-21

Datum / *Date*

2008-09-24

Dieses Blatt gilt nur in Verbindung mit Blatt 1 des Gutachtens mit Fertigungsüberwachung Nr. 40025428.

This supplement is only valid in conjunction with page 1 of the Certificate of Conformity with factory surveillance No. 40025428.

Kleinleistungseinsatz Sub-miniature fuse-link

Typ(en) / *Type(s)*

334 - Serie(s)

Bemessungsspannung
Rated voltage

AC 250 V

Bemessungsstrom
Rated current

500 mA; 630 mA; 800 mA; 1 A; 1,25 A
1,6 A; 2 A; 2,5 A; 3,15 A; 4 A; 5 A

Normblatt
Standard sheet

4 mit Ausnahme der Abmessungen
4 except the dimensions

Maße in mm
Dimension in mm

3,6 x 10 mit aufgedrückten Endkappen
3,6 x 10 with pressed-on endcaps.

Kennzeichnung der Charakteristik
Characteristic symbol

T

Bemessungsausschaltvermögen
Rated breaking capacity

35 A bzw. 10 x I_n
35 A resp. 10 x I_n

Zeit/Strom-Charakteristik
Time/current-characteristic

träge
time-lag

Anmerkung
Remark

Die Prüfspannung in Abschnitt 9.2 war DC 125 V.
The test voltage in clause 9.2 was DC 125 V.

Dieser Zeichengenehmigungs-Ausweis bildet eine Grundlage für die EG-Konformitätserklärung und CE-Kennzeichnung durch den Hersteller oder dessen Bevollmächtigten und bescheinigt die Konformität mit den grundlegenden Schutzanforderungen der **EG-Niederspannungsrichtlinie 2014/35/EU**.

*This Marks Approval is a basis for the EC Declaration of Conformity and the CE Marking by the manufacturer or his agent and proves the conformity with the essential safety requirements of the **EC Low-Voltage Directive 2014/35/EU**.*

VDE Prüf- und Zertifizierungsinstitut GmbH
VDE Testing and Certification Institute
Fachgebiet CC2
Section CC2

VDE Prüf- und Zertifizierungsinstitut Gutachten mit Fertigungsüberwachung

Ausweis-Nr. / Beiblatt /
Certificate No. Supplement
40025428

Name und Sitz des Genehmigungs-Inhabers / *Name and registered seat of the Certificate holder*

Dongguan Better Electronics Technology Co., Ltd., Room 601 of 16 Block, Xinzhu Yuan, No 4, Xinzhu Road,
523808 DONGGUAN, Guangdong, CHINA

Aktenzeichen / *File ref.*

5015514-1170-0005 / 228695 / CC2 / EUL

letzte Änderung / *updated*

2016-11-21

Datum / *Date*

2008-09-24

Dieses Beiblatt ist Bestandteil des Gutachtens mit Fertigungsüberwachung Nr. 40025428.

This supplement is part of the Certificate of Conformity with factory surveillance No. 40025428.

Kleinstsicherungseinsatz

Sub-miniature fuse-link

Fertigungsstätte(n)

Place(s) of manufacture

Referenz/*Reference*

30017543

Dongguan Better Electronics
Technology Co., Ltd.
Nanmen Village
Hengkeng Administrative Zone
523413 LIAOBU TOWN, DONGGUAN
Guangdong
CHINA

VDE Prüf- und Zertifizierungsinstitut GmbH

VDE Testing and Certification Institute

Fachgebiet CC2

Section CC2

Name und Sitz des Genehmigungs-Inhabers / *Name and registered seat of the Certificate holder*

Dongguan Better Electronics Technology Co., Ltd., Room 601 of 16 Block, Xinzhu Road,
523808 DONGGUAN, Guangdong, CHINA

Aktenzeichen / *File ref.*

5015514-1170-0005 / 228695 / CC2 / EUL

letzte Änderung / *updated*

2016-11-21

Datum / *Date*

2008-09-24

Dieses Blatt gilt nur in Verbindung mit Blatt 1 des Gutachtens mit Fertigungsüberwachung Nr. 40025428.

This supplement is only valid in conjunction with page 1 of the Certificate of Conformity with factory surveillance No. 40025428.

Genehmigung zum Benutzen des auf Seite 1 abgebildeten markenrechtlich geschützten Zeichens des VDE:

Grundlage für die Benutzung sind die Allgemeinen Geschäftsbedingungen (AGB) der VDE Prüf- und Zertifizierungsinstitut GmbH (www.vde.com\AGB-Institut). Das Recht zur Benutzung erstreckt sich nur auf die bezeichnete Firma mit den genannten Fertigungsstätten und die oben aufgeführten Produkte mit den zugeordneten Bezeichnungen. Die Fertigungsstätte muss so eingerichtet sein, dass eine gleichmäßige Herstellung der geprüften und zertifizierten Ausführung gewährleistet ist.

Die Genehmigung ist so lange gültig wie die VDE-Bestimmungen gelten, die der Zertifizierung zugrunde gelegen haben, sofern sie nicht auf Grund anderer Bedingungen aus der VDE Prüf- und Zertifizierungsordnung (PM102) zurückgezogen werden muss.

Der Gültigkeitszeitraum einer VDE-GS-Zeichengenehmigung kann auf Antrag verlängert werden. Bei gesetzlichen und / oder normativen Änderungen kann die VDE-GS-Zeichengenehmigung ihre Gültigkeit zu einem früheren als dem angegebenen Datum verlieren.

Produkte, die das Biozid Dimethylfumarat (DMF) enthalten, dürfen gemäß der Kommissionsentscheidung 2009/251/EG nicht mehr in den Verkehr gebracht oder auf dem Markt bereitgestellt werden.

Der VDE-Zeichengenehmigungsausweis wird ausschließlich auf der ersten Seite unterzeichnet.

Approval to use the legally protected Mark of the VDE as shown on the first page:

Basis for the use are the general terms and conditions of the VDE Testing and Certification Institute (www.vde.com\terms-institute). The right to use the mark is granted only to the mentioned company with the named places of manufacture and the listed products with the related type references. The place of manufacture shall be equipped in a way that a constant manufacturing of the certified construction is assured.

The approval is valid as long as the VDE specifications are in force, on which the certification is based on, unless it is withdrawn according to the VDE Testing and Certification Procedure (PM102E).

The validity period of a VDE-GS-Mark Approval may be prolonged on request. In case of changes in legal and / or normative requirements, the validity period of a VDE-GS-Mark Approval may be shortened.

Products containing the biocide dimethylfumarate (DMF) may not be marketed or made available on the EC market according to the Commission Decision 2009/251/EC.

The approval is solely signed on the first page.

Zertifikat

mit überwachter Konformität

Certificate

of surveyed conformity



Zertifikat Nr. *Certificate No.*
J 50159105

Blatt *Page*
0001

Ihr Zeichen <i>Client Reference</i>	Unser Zeichen <i>Our Reference</i>	Ausstellungsdatum	<i>Date of Issue</i> (day/month/year)
	05-JP- 16016425 001	06.07.2009	

Genehmigungsinhaber *License Holder*
Dongguan Better Electronics
Technology Co., Ltd.
Nanmen Village, Hengken
Administrative Zone, Liaobu Town
Dongguan, Guangdong
P.R. China

Fertigungsstätte *Manufacturing Plant*
Dongguan Better Electronics
Technology Co., Ltd.
Nanmen Village, Hengken
Administrative Zone, Liaobu Town
Dongguan, Guangdong
P.R. China

Prüfzeichen *Test Mark*

Geprüft nach *Tested acc. to*
EN 60127-1:2006
EN 60127-3:1996+A2



Zertifiziertes Produkt (Geräteidentifikation)
Certified Product (Product Identification)

Lizenzentgelte - Einheit
License Fee - Unit

(Sub-miniature Fuse-link)

Type Designation	: 334	5
Rated Voltage	: AC 250V; 50/60Hz	
Rated Current (In)	: 200mA, 250mA, 315mA, 6.3A	
Time/Current Characteristic:	T	
Rated Breaking Capacity	: 35A or 10xIn (which is higher)	
Dimension	: 4.1mmx11mm	

Remark:

The requirements of standard sheet 4 were taken into consideration.

The labelling requirements acc. to EU Directive 2001/95 have to be observed for distribution within the EEA.

5

ANLAGE (Appendix): 1



Dem Zertifikat liegt unsere Prüf- und Zertifizierungsordnung zugrunde.
Das Produkt entspricht den o.g. Anforderungen, die Herstellung wird überwacht.
This certificate is based on our Testing and Certification Regulation. The product fulfills above-mentioned-requirements, the production is subject to surveillance.

Zertifizierungsstelle

TÜV Rheinland Product Safety GmbH, Am Grauen Stein, D-51105 Köln

Dipl.-Ing. (FH) T. Zimmer

Zertifikat

mit überwachter Konformität

Certificate

of surveyed conformity



Zertifikat Nr. *Certificate No.*
J 50159105

Blatt *Page*
0002

Ihr Zeichen *Client Reference*

Unser Zeichen *Our Reference*

Ausstellungsdatum
17.02.2014

Date of Issue
(day/mo/yr)

05-YFC- 16016425 002

Genehmigungsinhaber *License Holder*

Dongguan Better Electronics
Technology Co., Ltd.
Nanmen Village, Hengken
Administrative Zone, Liaobu Town
Dongguan, Guangdong
P.R. China

Fertigungsstätte *Manufacturing Plant*

Dongguan Better Electronics
Technology Co., Ltd.
Nanmen Village, Hengken
Administrative Zone, Liaobu Town
Dongguan, Guangdong
P.R. China

Prüfzeichen *Test Mark*



Geprüft nach *Tested acc. to*

EN 60127-1:2006+A1
EN 60127-3:1996+A2

Zertifiziertes Produkt (Geräteidentifikation)
Certified Product (Product Identification)

Lizenzentgelte - Einheit
License Fee - Unit

(Sub-miniature Fuse-link)

as page 0001

Change

Test Requirement : see above

Remark :

The requirements of standard sheet 4 were taken into consideration.

The labelling requirements acc. to EU Directive 2001/95 have to be observed for distribution within the EEA.



Dem Zertifikat liegt unsere Prüf- und Zertifizierungsordnung zugrunde.
Das Produkt entspricht den o.g. Anforderungen, die Herstellung wird überwacht.
This certificate is based on our Testing and Certification Regulation. The product fulfills above mentioned requirements, the production is subject to surveillance.

Zertifizierungsstelle

TÜV Rheinland LGA Products GmbH, Tillystraße 2, 90431 Nürnberg
Tel.: +49 221 806-1371 e-mail: cert-validity@de.tuv.com
Fax: +49 221 806-3935 http://www.tuv.com/safety

G. Yin

Zertifikat

mit überwachter Konformität

Certificate

of surveyed conformity



Zertifikat Nr. *Certificate No.*
J 50159105

Blatt *Page*
0003

Ihr Zeichen *Client Reference*

Unser Zeichen *Our Reference*

Ausstellungsdatum
11.05.2017

Date of Issue
(day/mo/yr)

05-YFC- 16016425 003

Genehmigungsinhaber *License Holder*

Dongguan Better Electronics
Technology Co., Ltd.
Nanmen Village, Hengkeng
Administrative Zone, Liaobu Town
Dongguan, Guangdong
P.R. China

Fertigungsstätte *Manufacturing Plant*

Dongguan Better Electronics
Technology Co., Ltd.
Nanmen Village, Hengkeng
Administrative Zone, Liaobu Town
Dongguan, Guangdong
P.R. China

Prüfzeichen *Test Mark*



Geprüft nach *Tested acc. to*

EN 60127-1:2006+A1+A2
EN 60127-3:2015

Zertifiziertes Produkt (Geräteidentifikation)
Certified Product (Product Identification)

Lizenzentgelte - Einheit
License Fee - Unit

(Sub-miniature Fuse-link)

as page 0001

Change

Test Requirement : see above

Remark :

The requirements of standard sheet 4 were taken into consideration.

The labelling requirements acc. to EU Directive 2001/95 have to be observed for distribution within the EEA.

Dem Zertifikat liegt unsere Prüf- und Zertifizierungsordnung zugrunde.
Das Produkt entspricht den o.g. Anforderungen, die Herstellung wird überwacht
This certificate is based on our Testing and Certification Regulation. The product
fulfills above mentioned requirements, the production is subject to surveillance.

TÜV Rheinland LGA Products GmbH, Tillystraße 2, 90431 Nürnberg
Tel.: +49 221 806-1371 e-mail: cert-validity@de.tuv.com
Fax: +49 221 806-3935 http://www.tuv.com/safety



접수번호 : 17-064257-01-1
(Receipt No.)



안전인증서

Safety Certificate

안전인증번호 : SU05042-17006
(Certificate No.)

제조업자/수입업자명 : Dongguan Better Electronics Technology Co.,Ltd.
(Manufacturer/importer)

주소 : 2nd Industrial Zone, Nanmen Village, Hengkeng, Liao Bu Town,
(Address) Dongguan, Guangdong, China

제품명 : 퓨즈(Sub-miniature fuse-links)
(Product)

기본모델명 : 334 T2.5AL250V
(Basic Model)

파생모델명 : See the attachment 2
(Series Model)

정격/안전기준상의 모델구분 : T2.5 A, AC 250 V
(Rating)

시험기준 : KC60127-3(2015-09), K60127-1(2011-12)
(Standard)

본 인증서는 제조국명 : 중국
제조업자명 : Dongguan Better Electronics Technology Co.,Ltd
제조공장의 주소 : 2nd Industrial Zone, Nanmen Village, Hengkeng, Liao Bu T
own, Dongguan, Guangdong, China
의 제품에만 해당함

「전기용품 및 생활용품 안전관리법 시행규칙」 제9조제2항·제4항 또는 제10조제2항에 따라 안전인증서를 발급합니다.

We Issue This Safety Certificate for the above appliances in accordance with the Article 9(2),9(4) or10 (2) of the Enforcement Rule of the Electrical Appliances and Consumer Products Safety Control Act.

2017년 11월 01일
Year month day

한국산업기술시험원장

KOREA TESTING LABORATORY



* 이 인증서는 「전기용품 및 생활용품 안전관리법 시행규칙」에 따른 제품의 안전성 확인에 한정된 것이며, 그 밖의 다른 법률이 적용되는 제품의 경우에는 해당 법률에 따라 추가로 인증·허가 등을 받아야 합니다.

첨부서류	1. 전기용품의 안전관리부품 및 재질목록(List of Critical Components) 2. 기본모델·파생모델의 내용 (Descriptions of the basic and series model) 3. 안전인증의 변경 현황 (Revisions Status)
------	---

첨부 1 : 전기용품의 안전관리부품 및 재질목록
List of Critical Components

부품명(회로기호) Component(Part no.)	제조사(상표명) Manufacturer(Brand)	모델명(형식) Model(Type)	정격 또는 특성 Rating or Characteristics	인증마크 Tested by
Ceramic Tube	YongAn Electronics Ceramic Development Co., LTD	3.6*10	3.23*0.7*9.1 AL ₂ O ₃ 85 %,SiO ₂ 15 %	-
Element Wire	DongGuan LiangFeng Electronics Co., LTD	All series	Sn:20 %,Cu:80 %	-
Brass Cap	DongGuan XinHai metal products Co., LTD	3.6*10	(1)Φ 3.6*3.2*1.0,H65~H68 brass (2)Φ 3.9*2.0*0.65*30, H65~H68 brass	-
Solder	ShenZhen YongAn Flux CO., LTD	All series	Sn99.3 %,Cu0.7 %	-

유의사항 (Attention) :

1. 안전관리부품은 전기적인 안전에 직접적인 영향을 주는 부품으로서 안전인증기관이 정기공장검사 시 확인 관리 하는 사항입니다. 따라서 상기목록에 기재된 사항을 변경하거나 또는 복수등재를 원하시는 경우는 안전인증기관에 인증변경신청을 하여야 합니다.

As the "Critical components" are parts in directly related with safety, these components shall be checked during a factory inspection by the certification body. In case of applying multiple listing or changing the items above, the certification revision shall be applied.

2. 인증변경신청 없이 임의로 변경하는 경우는, 전기용품 및 생활용품 안전관리법 시행규칙 제 20 조제 1 항 또는 제 36 조제 1 항 규정에 의한 안전인증 취소 혹은 안전확인신고 효력상실 사유가 됨을 유의하시기 바랍니다.

The Safety Certification will be cancelled under the Article 20(1), 36(1) of the Enforcement Rule of the Electrical appliances and Consumer Products Safety Control Act if the contents of the Certification is altered without our authorization.

FP511-04

첨부 2 : 기본모델 · 파생모델의 내용
 Description of the basic and series model

파생모델명 Derivative model	기본모델과의 차이점 Differences between the basic and derivative model(s)
334 T1AL250V	Rated current 1 A
334 T1.25AL250V	Rated current 1.25 A
334 T1.6AL250V	Rated current 1.6 A
334 T2AL250V	Rated current 2 A
제품특기사항 및 시험조건 Remarks & Test conditions	
1. Review report No.: 17-064257-01-2 (2017.10.31.) 2. Product Description - AC 250 V, 2.5 A, Time-lag, Low-breaking capacity - Rated Breaking capacity : 35 A - Standard sheet 4 (IEC 60127-3 ed3: 2015)	
<input type="checkbox"/> 본 제품의 검토내용에 관하여 의문사항이 있으시면 아래 연락처로 문의하시기 바랍니다. 검토 담당자 : 인증산업본부 인증심사센터 신 종욱 / 02-8601-1437 <input type="checkbox"/> <i>If you have any question on product review, please contact the person below :</i> <i>Job holder: Certification Business Division, Certification Evaluation Center, J.U.Shin / +82 2 860-1437</i>	

FP511-05

첨부 3 : 안전인증의 변경 현황
 Revisions Status

변경발급 내용 Contents of Certificate Revisions
Not applicable

FP511-06

접수번호 : 17-064257-02-1
(Receipt No.)



안전인증서

Safety Certificate

안전인증번호 : SU05042-17007
(Certificate No.)

제조업자/수입업자명 : Dongguan Better Electronics Technology Co.,Ltd.
(Manufacturer/importer)

주소 : 2nd Industrial Zone, Nanmen Village, Hengkeng, Liao Bu Town,
(Address) Dongguan, Guangdong, China

제품명 : 퓨즈(Sub-miniature fuse-links)
(Product)

기본모델명 : 334 T5AL250V
(Basic Model)

파생모델명 : 334 T3.15AL250V, 334 T4AL250V
(Series Model)

정격/안전기준상의 모델구분 : T5 A, AC 250 V
(Rating)

시험기준 : KC60127-3(2015-09), K60127-1(2011-12)
(Standard)

본 인증서는 제조국명 : 중국
제조업자명 : Dongguan Better Electronics Technology Co.,Ltd
제조공장의 주소 : 2nd Industrial Zone, Nanmen Village, Hengkeng, Liao Bu T
own, Dongguan, Guangdong, China
의 제품에만 해당함

「전기용품 및 생활용품 안전관리법 시행규칙」 제9조제2항·제4항 또는 제10조제2항에 따라 안전인증서를 발급합니다.

We Issue This Safety Certificate for the above appliances in accordance with the Article 9(2),9(4) or10 (2) of the Enforcement Rule of the Electrical Appliances and Consumer Products Safety Control Act.

2017 년 11 월 01 일
Year month day

한국산업기술시험원장

KOREA TESTING LABORATORY



* 이 인증서는 「전기용품 및 생활용품 안전관리법 시행규칙」에 따른 제품의 안전성 확인에 한정된 것이며, 그 밖의 다른 법률이 적용되는 제품의 경우에는 해당 법률에 따라 추가로 인증·허가 등을 받아야 합니다.

첨부서류	1. 전기용품의 안전관리부품 및 재질목록(List of Critical Components) 2. 기본모델·파생모델의 내용 (Descriptions of the basic and series model) 3. 안전인증의 변경 현황 (Revisions Status)
------	---

첨부 1 : 전기용품의 안전관리부품 및 재질목록
List of Critical Components

부품명(회로기호) Component(Part no.)	제조사(상표명) Manufacturer(Brand)	모델명(형식) Model(Type)	정격 또는 특성 Rating or Characteristics	인증마크 Tested by
Ceramic Tube	YongAn Electronics Ceramic Development Co., LTD	3.6*10	3.23*0.7*9.1 AL ₂ O ₃ 85 %, SiO ₂ 15 %	-
Element Wire	DongGuan LiangFeng Electronics Co., LTD	All series	Sn:20 %,Cu:80 %	-
Brass Cap	DongGuan XinHai metal products Co., LTD	3.6*10	(1)Φ 3.6*3.2*1.0,H65~H68 brass (2)Φ 3.9*2.0*0.65*30, H65~H68 brass	-
Solder	ShenZhen YongAn Flux CO., LTD	All series	Sn99.3 %, Cu0.7 %	-

유의사항 (Attention) :

1. 안전관리부품은 전기적인 안전에 직접적인 영향을 주는 부품으로서 안전인증기관이 정기공장검사 시 확인 관리 하는 사항입니다. 따라서 상기목록에 기재된 사항을 변경하거나 또는 복수등재를 원하시는 경우는 안전인증기관에 인증변경신청을 하여야 합니다.

As the "Critical components" are parts in directly related with safety, these components shall be checked during a factory inspection by the certification body. In case of applying multiple listing or changing the items above, the certification revision shall be applied.

2. 인증변경신청 없이 임의로 변경하는 경우는, 전기용품 및 생활용품 안전관리법 시행규칙 제 20 조제 1 항 또는 제 36 조제 1 항 규정에 의한 안전인증 취소 혹은 안전확인신고 효력상실 사유가 됨을 유의하시기 바랍니다.

The Safety Certification will be cancelled under the Article 20(1), 36(1) of the Enforcement Rule of the Electrical appliances and Consumer Products Safety Control Act if the contents of the Certification is altered without our authorization.

FP511-04

첨부 2 : 기본모델 · 파생모델의 내용
Description of the basic and series model

파생모델명 Derivative model	기본모델과의 차이점 Differences between the basic and derivative model(s)
334 T3.15AL250V	Rated current 3.15 A and Rated Breaking capacity 35 A
334 T4AL250V	Rated current 4 A and Rated Breaking capacity 40 A
제품특기사항 및 시험조건 Remarks & Test conditions	
<p>1. Review report No.: 17-064257-02-2 (2017.10.31.)</p> <p>2. Product Description</p> <ul style="list-style-type: none"> - AC 250 V, 5 A, Time-lag, Low-breaking capacity - Rated Breaking capacity : 50 A - Standard sheet 4 (IEC 60127-3 ed3: 2015) 	
<p><input type="checkbox"/> 본 제품의 검토내용에 관하여 의문사항이 있으시면 아래 연락처로 문의하시기 바랍니다. 검토 담당자 : 인증산업본부 인증심사센터 신 종욱 / 02-8601-1437</p> <p><input type="checkbox"/> <i>If you have any question on product review, please contact the person below :</i> <i>Job holder: Certification Business Division, Certification Evaluation Center, J.U.Shin / +82 2 860-1437</i></p>	

FP511-05

첨부 3 : 안전인증의 변경 현황
Revisions Status

변경발급 내용 Contents of Certificate Revisions
Not applicable

FP511-06

Certificate



Intertek

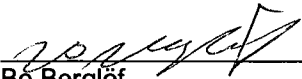
for European Product Safety

Reference No. 1719060

Sub-miniature fuse-link

<i>Type designation</i>	334 T1AL250V, 334 T1.25AL250V, 334 T1.6AL250V, 334 T2AL250V, 334 T2.5AL250V, 334 T3.15AL250V, 334 T4AL250V, 334 T5AL250V
<i>Certificate holder</i>	Dongguan Better Electronics Technology Co. Ltd, Room601of16 Block, Xinzhu Yuan No. 4, Xinzhu Road, Songshanlake Hightech Ind. Devel. Zone Dongguan City, Guangdong Province, 523808 CHINA
<i>The product complies with the standard(s)</i>	EN 60127-3:2015
<i>Date of expiry</i>	2 November 2022
<i>EU Directive information</i>	According to the principle of presumption of conformity, this certificate constitutes support for an EC Declaration of Conformity and CE marking according to the Low Voltage Directive 2014/35/EU.

Additional information in Appendix.

<i>Certification Body</i>	Intertek Semko AB, Product Certification	<i>Place</i>	Kista - Stockholm
<i>Signed</i>	 Bo Berglöf	<i>Date</i>	6 November 2017 Page 1 of 2

This certificate is issued in accordance with the terms and conditions set out in the Appendix.



**Intertek
Appendix**

Reference No. 1719060

Technical data

Type designation	334 T1AL250V, 334 T1.25AL250V, 334 T1.6AL250V, 334 T2AL250V, 334 T2.5AL250V, 334 T3.15AL250V, 334 T4AL250V, 334 T5AL250V			
Rated voltage (V)	250V			
Rated current (A)	1A	1,25A	1,6A	2A
	2,5A	3,15A	4A	5A
Standard sheet	4			
Trademark:	ⓑ			
Product information	Sub-miniature fuse-link. Time-lag, Low-breaking capacity.			

Manufacturing site(s) Dongguan Better Electronics Technology Co.
Ltd., Nanmen Village, Hengkeng
Administrative Zone, Liaobu Town,
Dongguan, Guangdong, 523413
CHINA

According to the principle of presumption of conformity, this certificate, which includes production control, constitutes support for an EC Declaration of Conformity and CE marking according to the Low Voltage Directive 2014/35/EU.

This presumption can expire before end of validity of this certificate due to new issued Standard or Amendment and changes within the EU legislation.

This certificate is based on CB with ref. No. CN40938 dated 15 August 2017, issued by CQC.

This certificate replaces previously issued ref. No. 1717500 dated 2 November 2017.
A new certificate has been issued on account of correction of address for manufacturing site.

Certification Body Intertek Semko AB, Product Certification **Place** Kista - Stockholm

Signed 
Bo Berglöf **Date** 6 November 2017

This Certificate is for the exclusive use of Intertek's Client and is provided pursuant to the Certification agreement between Intertek and its Client. Intertek's responsibility and liability are limited to the terms and conditions of the agreement. Intertek assumes no liability to any party, other than to the Client in accordance with the agreement, for any loss, expense or damage occasioned by the use of this certificate. Only the Client is authorized to permit copying or distribution of this certificate and then only in its entirety. Use of Intertek's Certification mark is restricted to the conditions laid out in the agreement. Any further use of the Intertek name for the sale or advertisement of the tested material, product or service must first be approved in writing by Intertek. Initial Factory Assessments and Follow up Services are for the purpose of assuring appropriate usage of the Certification mark in accordance with the agreement, they are not for the purposes of production quality control and do not relieve the Client of their obligations in this respect.

X-ON Electronics

Largest Supplier of Electrical and Electronic Components

Click to view similar products for [Surface Mount Fuses](#) category:

Click to view products by [Better manufacturer](#):

Other Similar products are found below :

[FHC20402ADTP](#) [NFVC6125S0R50TRF](#) [SFT-125MA](#) [TF16SN2.00TTD](#) [FCC16501ABTP](#) [FCC16102ABTP](#) [FHC16322ADTP](#) [0308.250UR](#)
[0308.375UR](#) [0308.750UR](#) [0308001.UR](#) [030801.5UR](#) [F0603G0R03FNTR](#) [SKY87604-12](#) [SKY87604-11](#) [SKY87604-13](#) [R451003.L](#)
[R451.500L](#) [R451001.L](#) [3-103-119](#) [3-103-123](#) [ABB-A 25A 500V](#) [SGB401](#) [SGB075](#) [0154002.DRL](#) [0154008.DRL](#) [0154.500DRL](#)
[189140.1,25](#) [189140.0,8](#) [189140.0,4](#) [189140.0,63](#) [189140.0,25](#) [0402FA-R200](#) [0402SFF150F/24-2](#) [0435.250KRHFS](#) [0468003.WR](#)
[0494001.NRHF](#) [0494002.NRHF](#) [0494003.NRHF](#) [049402.5NRHF](#) [049403.5NRHF](#) [0494.250NRHF](#) [0494.375NRHF](#) [0494.500NRHF](#)
[CF06V3T1R60](#) [CF06V3T2R50](#) [06H1300D](#) [JFC0603-1200FS](#) [CP06V3T2R0](#) [06F-0200L1](#)