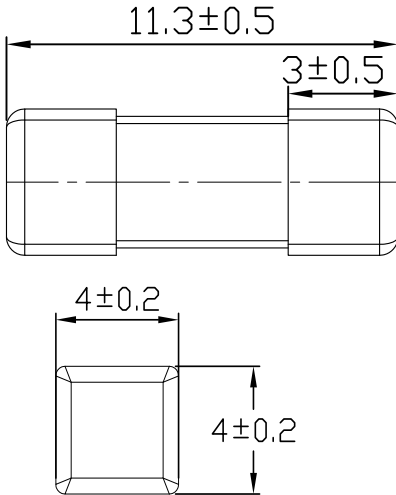


477 Brick Fuse



Dimensions(unit:mm)

Main Characteristics

Brick fuse; Time-Lag(T)

Standard

UL248-14

Materials

Body: Ceramic
End Caps: Copper plated with silver

Operating Temperature

-55°C to +125°C

Stock Temperature

+10°C to +60°C
Relative humidity: ≤75% yearly average
Without dew, maximum 30 days at 95%

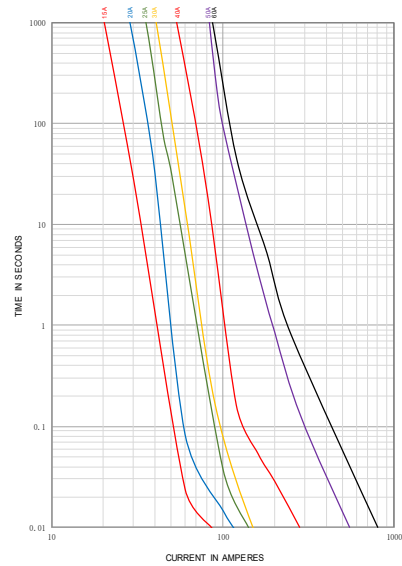
Vibration Resistance

24 cycles at 15 min. each (60068-6)
10-60Hz at 0.75mm amplitude
60-2000Hz at 10g acceleration

Soldering Parameters

260°C. ≤10 sec (Wave Soldering)
300°C. ≤2 sec (Hand Soldering)
Soldering Peak:
260°C. 10 sec.
280°C. 5 sec. (IEC 60068-20)

Average Time Current(I-T Curves)



Time vs Current Characteristics: UL248-14

Rated Current	100%	200%
15~40A	>4H	<60s
50~60A	>4H	<240s



Electrical Characteristics at 25°C

Amp Code	Rated Current	Rated Voltage	Max. Voltage Drop (mV)	Breaking Capacity	Typical Melting I ² t(A ² sec)	Typical Cold Resistance (mΩ)	Approval
							cURus
2150	15A	125V AC 250V AC 32V DC 72V DC	90	150A@125V AC 150A@250V AC 1000A@32V DC 500A@72V DC	72.3	3.65	•
2200	20A		90		132	2.78	•
2250	25A		75		196	2.16	•
2300	30A		70.2		225	1.78	•
2400	40A		68.5		756.25	1.16	•
2500	50A	125V AC 32V DC 60V DC	50	250A@125V AC 1000A@32V DC 500A@60V DC	3025	0.55	•
2600	60A		50		6400	0.50	•

Note: (1) Permissible continuous operating current is ≤100% at ambient temperature of 23°C (73.4°F)

(2) The current values used for calculating I²T should be within the standard range of 8ms ~ 10ms.

Ordering Information

Series	Amp Code	Supplementary Code	Qty
477			



Sales Contact
sis01@beterfuse.com

Technical Support
Kenny@betterfuse.com

National High-tech Enterprise
SC 32C National Technical Committee Member of China
Intertek ISO 9001 Certified Company
Intertek ISO 14001 Certified Company
Intertek QC 080000 Certified Company
NQA IATF 16949 Certified Company

国家高新技术企业
SC 32C 国内专家组成员单位
ISO 9001 认证企业
ISO 14001 认证企业
QC 080000 认证企业
IATF 16949 认证体系

X-ON Electronics

Largest Supplier of Electrical and Electronic Components

Click to view similar products for [Surface Mount Fuses](#) category:

Click to view products by [Better manufacturer](#):

Other Similar products are found below :

[FHC20402ADTP](#) [NFVC6125S0R50TRF](#) [SFT-125MA](#) [TF16SN2.00TTD](#) [FCC16501ABTP](#) [FCC16102ABTP](#) [FHC16322ADTP](#) [0308.250UR](#)
[0308.375UR](#) [0308.750UR](#) [0308001.UR](#) [030801.5UR](#) [F0603G0R03FNTR](#) [SKY87604-12](#) [SKY87604-11](#) [SKY87604-13](#) [R451003.L](#)
[R451.500L](#) [R451001.L](#) [3-103-119](#) [3-103-123](#) [ABB-A 25A 500V](#) [SGB401](#) [SGB075](#) [0154002.DRL](#) [0154008.DRL](#) [0154.500DRL](#)
[189140.1,25](#) [189140.0,8](#) [189140.0,4](#) [189140.0,63](#) [189140.0,25](#) [0402FA-R200](#) [0402SFF150F/24-2](#) [0435.250KRHFS](#) [0468003.WR](#)
[0494001.NRHF](#) [0494002.NRHF](#) [0494003.NRHF](#) [049402.5NRHF](#) [049403.5NRHF](#) [0494.250NRHF](#) [0494.375NRHF](#) [0494.500NRHF](#)
[CF06V3T1R60](#) [CF06V3T2R50](#) [06H1300D](#) [JFC0603-1200FS](#) [CP06V3T2R0](#) [06F-0200L1](#)