

➤ Features

- Size 0.12*0.06 inch /3.2*1.6 mm
- RoHS compliant, lead-free and halogen-free
- Fast response to fault current
- Low resistance
- Low profile
- Compatible with high temperature solders

➤ Applications

- Computer, Mobile phones, Multimedia
- Automotive, Industrial controls, Telephony and broadband
- Game machines, Portable electronics, Battery

➤ Electrical Characteristics (25°C)

| Part Number | I _{hold} | I _{trip} | V _{max} | I _{max} | P _{d typ} | Time to trip | | R _{min} | R _{1max} |
|------------------|-------------------|-------------------|--------------------|------------------|--------------------|--------------|-------|------------------|-------------------|
| | (A) | (A) | (V _{dc}) | (A) | (W) | (A) | (Sec) | (Ω) | (Ω) |
| BSMD1206-005-30V | 0.05 | 0.15 | 30 | 40 | 0.6 | 0.25 | 1.50 | 3.600 | 50.00 |
| BSMD1206-005-60V | 0.05 | 0.15 | 60 | 40 | 0.6 | 0.25 | 1.50 | 3.600 | 50.00 |
| BSMD1206-005-72V | 0.05 | 0.15 | 72 | 40 | 0.6 | 0.25 | 1.50 | 3.600 | 50.00 |
| BSMD1206-010-30V | 0.10 | 0.25 | 30 | 40 | 0.6 | 0.50 | 1.00 | 1.600 | 15.00 |
| BSMD1206-010-60V | 0.10 | 0.25 | 60 | 40 | 0.6 | 0.50 | 1.00 | 1.600 | 15.00 |
| BSMD1206-010-72V | 0.10 | 0.25 | 72 | 40 | 0.6 | 0.50 | 1.00 | 1.600 | 15.00 |
| BSMD1206-012-60V | 0.12 | 0.29 | 60 | 40 | 0.6 | 0.50 | 1.00 | 1.600 | 13.00 |
| BSMD1206-016-33V | 0.16 | 0.37 | 33 | 40 | 0.6 | 1.00 | 0.30 | 1.000 | 6.000 |
| BSMD1206-016-48V | 0.16 | 0.37 | 48 | 40 | 0.6 | 1.00 | 0.30 | 1.000 | 6.000 |
| BSMD1206-016-60V | 0.16 | 0.37 | 60 | 40 | 0.6 | 1.00 | 0.30 | 1.000 | 6.000 |
| BSMD1206-020-24V | 0.20 | 0.46 | 24 | 40 | 0.6 | 8.00 | 0.10 | 0.350 | 2.700 |
| BSMD1206-020-30V | 0.20 | 0.46 | 30 | 40 | 0.6 | 8.00 | 0.10 | 0.350 | 2.700 |
| BSMD1206-020-33V | 0.20 | 0.46 | 33 | 40 | 0.6 | 8.00 | 0.10 | 0.350 | 2.700 |
| BSMD1206-025-16V | 0.25 | 0.50 | 16 | 40 | 0.6 | 8.00 | 0.10 | 0.350 | 2.500 |
| BSMD1206-025-24V | 0.25 | 0.50 | 24 | 40 | 0.6 | 8.00 | 0.10 | 0.350 | 2.500 |
| BSMD1206-025-30V | 0.25 | 0.50 | 30 | 40 | 0.6 | 8.00 | 0.10 | 0.350 | 2.500 |
| BSMD1206-025-33V | 0.25 | 0.50 | 33 | 40 | 0.6 | 8.00 | 0.10 | 0.350 | 2.500 |
| BSMD1206-025-48V | 0.25 | 0.50 | 48 | 40 | 0.6 | 8.00 | 0.10 | 0.350 | 2.500 |
| BSMD1206-030-16V | 0.30 | 0.65 | 16 | 40 | 0.6 | 8.00 | 0.10 | 0.250 | 1.700 |
| BSMD1206-030-24V | 0.30 | 0.65 | 24 | 40 | 0.6 | 8.00 | 0.10 | 0.250 | 1.700 |

| Part Number | I_{hold} | I_{trip} | V_{max} | I_{max} | P_d typ | Time to trip | | R_{min} | $R1_{max}$ |
|--------------------|------------|------------|--------------------|-----------|-----------|--------------|-------|--------------|--------------|
| | (A) | (A) | (V _{dc}) | (A) | (W) | (A) | (Sec) | (Ω) | (Ω) |
| BSMD1206-030-30V | 0.30 | 0.65 | 30 | 40 | 0.6 | 8.00 | 0.10 | 0.250 | 1.700 |
| BSMD1206-030-33V | 0.30 | 0.65 | 33 | 40 | 0.6 | 8.00 | 0.10 | 0.250 | 1.700 |
| BSMD1206-035-6V | 0.35 | 0.75 | 6 | 40 | 0.6 | 8.00 | 0.10 | 0.250 | 1.500 |
| BSMD1206-035-16V | 0.35 | 0.75 | 16 | 40 | 0.6 | 8.00 | 0.10 | 0.250 | 1.500 |
| BSMD1206-035-24V | 0.35 | 0.75 | 24 | 40 | 0.6 | 8.00 | 0.10 | 0.250 | 1.500 |
| BSMD1206-035-30V | 0.35 | 0.75 | 30 | 40 | 0.6 | 8.00 | 0.10 | 0.250 | 1.500 |
| BSMD1206-035-33V | 0.35 | 0.75 | 33 | 40 | 0.6 | 8.00 | 0.10 | 0.250 | 1.500 |
| BSMD1206-050-6V | 0.50 | 1.00 | 6 | 100 | 0.6 | 8.00 | 0.10 | 0.150 | 0.700 |
| BSMD1206-050-9V | 0.50 | 1.00 | 9 | 100 | 0.6 | 8.00 | 0.10 | 0.150 | 0.700 |
| BSMD1206-050-13.2V | 0.50 | 1.00 | 13.2 | 100 | 0.6 | 8.00 | 0.10 | 0.150 | 0.700 |
| BSMD1206-050-16V | 0.50 | 1.00 | 16 | 100 | 0.6 | 8.00 | 0.10 | 0.150 | 0.700 |
| BSMD1206-050-24V | 0.50 | 1.00 | 24 | 40 | 0.6 | 8.00 | 0.10 | 0.150 | 0.850 |
| BSMD1206-050-30V | 0.50 | 1.00 | 30 | 40 | 0.8 | 8.00 | 0.10 | 0.150 | 0.850 |
| BSMD1206-050-33V | 0.50 | 1.00 | 33 | 40 | 0.8 | 8.00 | 0.10 | 0.150 | 0.850 |
| BSMD1206-075-6V | 0.75 | 1.50 | 6 | 100 | 0.6 | 8.00 | 0.20 | 0.090 | 0.500 |
| BSMD1206-075-9V | 0.75 | 1.50 | 9 | 100 | 0.6 | 8.00 | 0.20 | 0.090 | 0.500 |
| BSMD1206-075-13.2V | 0.75 | 1.50 | 13.2 | 100 | 0.6 | 8.00 | 0.20 | 0.090 | 0.500 |
| BSMD1206-075-16V | 0.75 | 1.50 | 16 | 100 | 0.6 | 8.00 | 0.20 | 0.090 | 0.500 |
| BSMD1206-075-24V | 0.75 | 1.50 | 24 | 40 | 0.8 | 8.00 | 0.20 | 0.090 | 0.500 |
| BSMD1206-075-30V | 0.75 | 1.50 | 30 | 40 | 0.8 | 8.00 | 0.20 | 0.090 | 0.500 |
| BSMD1206-100-6V | 1.00 | 1.80 | 6 | 100 | 0.8 | 8.00 | 0.30 | 0.050 | 0.270 |
| BSMD1206-100-13.2V | 1.00 | 1.80 | 13.2 | 100 | 0.8 | 8.00 | 0.30 | 0.050 | 0.270 |
| BSMD1206-100-16V | 1.00 | 1.80 | 16 | 100 | 0.8 | 8.00 | 0.30 | 0.050 | 0.270 |
| BSMD1206-100-24V | 1.00 | 1.80 | 24 | 40 | 1.0 | 8.00 | 0.30 | 0.050 | 0.300 |
| BSMD1206-100-30V | 1.00 | 1.80 | 30 | 40 | 1.0 | 8.00 | 0.30 | 0.050 | 0.300 |
| BSMD1206-110-6V | 1.10 | 2.20 | 6 | 100 | 0.8 | 8.00 | 0.30 | 0.040 | 0.250 |
| BSMD1206-110-13.2V | 1.10 | 2.20 | 13.2 | 100 | 0.8 | 8.00 | 0.30 | 0.040 | 0.250 |
| BSMD1206-110-16V | 1.10 | 2.20 | 16 | 100 | 0.8 | 8.00 | 0.30 | 0.040 | 0.250 |
| BSMD1206-110-24V | 1.10 | 2.20 | 24 | 40 | 1.0 | 8.00 | 0.30 | 0.040 | 0.270 |
| BSMD1206-110-30V | 1.10 | 2.20 | 30 | 40 | 1.0 | 8.00 | 0.30 | 0.040 | 0.270 |
| BSMD1206-150-6V | 1.50 | 3.00 | 6 | 100 | 0.8 | 8.00 | 0.30 | 0.025 | 0.130 |
| BSMD1206-150-9V | 1.50 | 3.00 | 9 | 100 | 0.8 | 8.00 | 0.30 | 0.025 | 0.130 |
| BSMD1206-150-12V | 1.50 | 3.00 | 12 | 40 | 0.8 | 8.00 | 0.30 | 0.025 | 0.130 |
| BSMD1206-150-13.2V | 1.50 | 3.00 | 13.2 | 40 | 1.0 | 8.00 | 0.30 | 0.025 | 0.130 |
| BSMD1206-150-16V | 1.50 | 3.00 | 16 | 40 | 1.0 | 8.00 | 0.30 | 0.025 | 0.130 |
| BSMD1206-200-6V | 2.00 | 3.50 | 6 | 100 | 1.0 | 8.00 | 1.50 | 0.015 | 0.080 |
| BSMD1206-200-9V | 2.00 | 3.50 | 9 | 100 | 1.0 | 8.00 | 1.50 | 0.015 | 0.080 |
| BSMD1206-200-12V | 2.00 | 3.50 | 12 | 100 | 1.0 | 8.00 | 1.50 | 0.015 | 0.080 |
| BSMD1206-200-13.2V | 2.00 | 3.50 | 13.2 | 100 | 1.0 | 8.00 | 1.50 | 0.015 | 0.080 |
| BSMD1206-200-16V | 2.00 | 3.50 | 16 | 40 | 1.0 | 8.00 | 1.50 | 0.015 | 0.080 |

| Part Number | I_{hold} | I_{trip} | V_{max} | I_{max} | $P_{d\ typ}$ | Time to trip | | R_{min} | R_{1max} |
|------------------|------------|------------|--------------------|-----------|--------------|--------------|-------|-----------|------------|
| | (A) | (A) | (V _{dc}) | (A) | (W) | (A) | (Sec) | (Ω) | (Ω) |
| BSMD1206-260-6V | 2.60 | 5.20 | 6 | 100 | 1.0 | 8.00 | 2.00 | 0.010 | 0.060 |
| BSMD1206-260-12V | 2.60 | 5.20 | 12 | 40 | 1.0 | 8.00 | 2.00 | 0.010 | 0.060 |
| BSMD1206-300-6V | 3.00 | 6.00 | 6 | 100 | 1.0 | 8.00 | 4.00 | 0.010 | 0.050 |
| BSMD1206-300-8V | 3.00 | 6.00 | 8 | 40 | 1.2 | 8.00 | 4.00 | 0.010 | 0.050 |
| BSMD1206-300-12V | 3.00 | 6.00 | 12 | 40 | 1.2 | 8.00 | 4.00 | 0.010 | 0.050 |

➤ Vocabulary

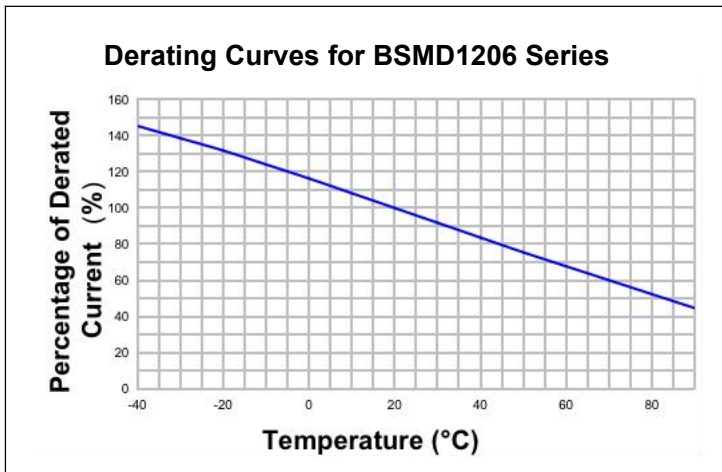
- I_{hold} = Hold current: maximum current device will pass without tripping in 25°C still air.
- I_{trip} = Trip current: minimum current at which the device will trip in 25°C still air.
- V_{max} = Maximum voltage device can withstand without damage at rated current (I_{max}).
- I_{max} = Maximum fault current device can withstand without damage at rated voltage (V_{max}).
- $P_{d\ typ.}$ = Typical power dissipated from device when in the tripped state at 25°C still air.
- R_{min} = Minimum resistance of device in initial (un-soldered) state.
- R_{1max} = Maximum resistance of device at 25°C measured one hour after tripping or reflow soldering of 260°C for 20 sec.

Caution: Operation beyond the specified ratings may result in damage and possible arcing and flame.

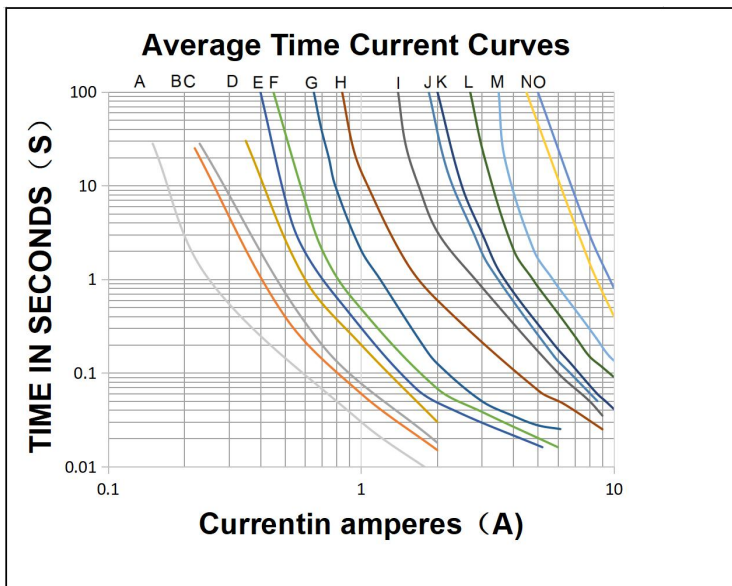
➤ Warning

- Users shall independently assess the suitability of these devices for each of their applications.
- Operation of these devices beyond the stated maximum ratings could result in damage to the devices and lead to electrical arcing and/or fire.
- These devices are intended to protect against the effects of temporary over-current or over-temperature conditions and are not intended to perform as protective devices where such conditions are expected to be repetitive or prolonged in duration.
- Exposure to silicon-based oils, solvents, electrolytes, acids, and similar materials can adversely affect the prolonged of these PPTC devices.
- These devices undergo thermal expansion under fault conditions, and thus shall be provided with adequate space and be protected against mechanical stresses.
- Circuits with inductance may generate a voltage ($L\ di/dt$) above the rated voltage of the PPTC device.

➤ **Thermal Derating Curve**



➤ **Average Time-Current Curve**



- A=BSMD1206-005
- B=BSMD1206-010
- C=BSMD1206-012
- D=BSMD1206-016
- E=BSMD1206-020
- F=BSMD1206-025
- G=BSMD1206-035
- H=BSMD1206-050
- I=BSMD1206-075
- J=BSMD1206-100
- K=BSMD1206-110
- L=BSMD1206-150
- M=BSMD1206-200
- N=BSMD1206-260
- O=BSMD1206-300

➤ Thermal Derating Chart

| Part Number | Ambient operating temperature hold current(I_{hold}) | | | | | | | | |
|--------------|--|-------|-------|-------|-------|-------|-------|-------|-------|
| | -40°C | -20°C | 0°C | 25°C | 40°C | 50°C | 60°C | 70°C | 85°C |
| BSMD1206-005 | 0.074 | 0.066 | 0.056 | 0.050 | 0.042 | 0.037 | 0.035 | 0.030 | 0.027 |
| BSMD1206-010 | 0.148 | 0.132 | 0.116 | 0.100 | 0.085 | 0.075 | 0.070 | 0.060 | 0.055 |
| BSMD1206-012 | 0.18 | 0.16 | 0.14 | 0.12 | 0.10 | 0.09 | 0.08 | 0.07 | 0.06 |
| BSMD1206-016 | 0.24 | 0.21 | 0.18 | 0.16 | 0.14 | 0.13 | 0.12 | 0.11 | 0.10 |
| BSMD1206-020 | 0.30 | 0.26 | 0.23 | 0.20 | 0.17 | 0.15 | 0.14 | 0.12 | 0.11 |
| BSMD1206-025 | 0.37 | 0.33 | 0.29 | 0.25 | 0.22 | 0.20 | 0.17 | 0.15 | 0.12 |
| BSMD1206-035 | 0.50 | 0.45 | 0.40 | 0.35 | 0.30 | 0.27 | 0.24 | 0.21 | 0.15 |
| BSMD1206-050 | 0.71 | 0.64 | 0.57 | 0.50 | 0.42 | 0.39 | 0.35 | 0.31 | 0.25 |
| BSMD1206-075 | 1.14 | 1.01 | 0.88 | 0.75 | 0.65 | 0.59 | 0.54 | 0.49 | 0.41 |
| BSMD1206-100 | 1.45 | 1.31 | 1.15 | 1.00 | 0.84 | 0.77 | 0.69 | 0.61 | 0.48 |
| BSMD1206-110 | 1.60 | 1.45 | 1.30 | 1.10 | 0.95 | 0.80 | 0.72 | 0.66 | 0.55 |
| BSMD1206-150 | 2.18 | 1.94 | 1.72 | 1.50 | 1.28 | 1.17 | 1.06 | 0.96 | 0.77 |
| BSMD1206-200 | 2.88 | 2.63 | 2.34 | 2.00 | 1.74 | 1.58 | 1.42 | 1.17 | 0.93 |
| BSMD1206-260 | 3.43 | 3.22 | 2.93 | 2.60 | 2.23 | 2.03 | 1.87 | 1.57 | 1.35 |
| BSMD1206-300 | 4.05 | 3.66 | 3.36 | 3.00 | 2.50 | 2.28 | 2.00 | 1.62 | 1.38 |

➤ Environmental Specifications

| Test | Conditions | Resistance change |
|--|-----------------------------|-------------------|
| Passive aging | +85°C, 1000 hours | ±5% typical |
| Humidity aging | +85°C, 85% R.H. , 168 hours | ±5% typical |
| Thermal shock | +85°C to -40°C, 20 times | ±33% typical |
| Resistance to solvent | MIL-STD-202,Method 215 | No change |
| Vibration | MIL-STD-202,Method 201 | No change |
| Ambient operating conditions : - 40 °C to +85 °C | | |
| Maximum surface temperature of the device in the tripped state is 125 °C | | |

➤ **Soldering Parameters**



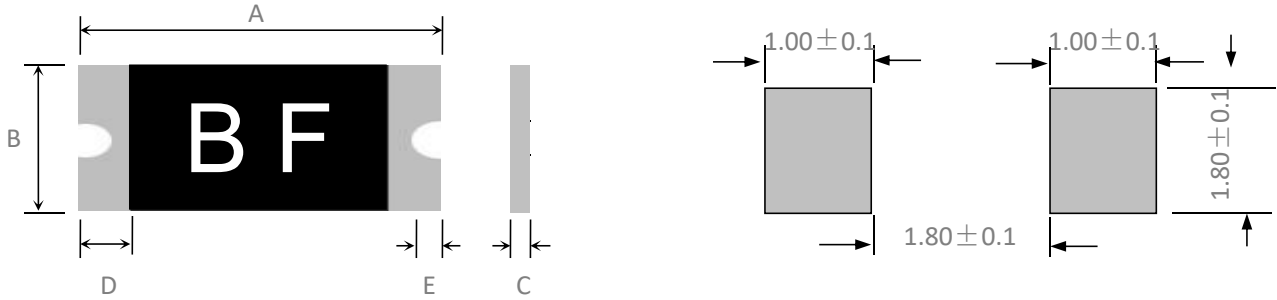
| Profile Feature | Pb-Free Assembly |
|--|----------------------------------|
| Average Ramp-Up Rate($T_{s_{max}}$ to T_p) | 3°C/second max |
| Preheat -Temperature Min($T_{s_{min}}$) -Temperature Max($T_{s_{max}}$) -Time($T_{s_{min}}$ to $T_{s_{max}}$) | 150°C 200°C 60~180 seconds |
| Time maintained above: -Temperature(T_L) -Time(t_L) | 217°C 60~150 seconds |
| Peak Temperature(T_p) | 260°C |
| Ramp-Down Rate | 6°C/second max |
| Time 25°C to Peak Temperature | 8 minutes max |
| Storage Condition | 0°C~30°C,30%-60%RH |

- Recommended reflow methods: IR, vapor phase oven, hot air oven, N₂ environment for lead-free.
- Recommended maximum paste thickness is 0.25mm.
- Devices can be cleaned using standard industry methods and solvents.

Note 1: All temperature refer to topside of the package, measured on the package body surface.

Note 2: If reflow temperatures exceed the recommended profile, devices may not meet the performance requirements.

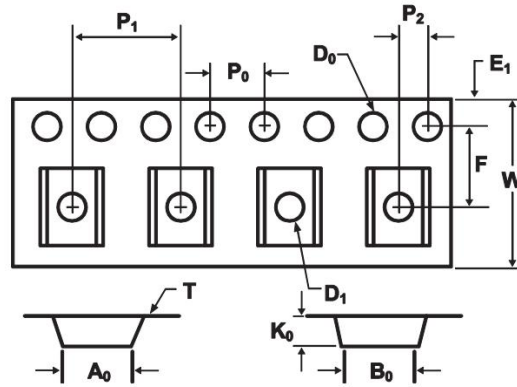
➤ **Physical Dimensions & Recommended Pad Layout (mm)**



| Part Number | Marking | Quantity | A | | B | | C | | D | E |
|------------------|---------|----------|------|------|------|------|------|------|------|------|
| | | | Min | Max | Min | Max | Min | Max | Min | Min |
| BSMD1206-005-30V | BZ | 3500 | 3.00 | 3.60 | 1.50 | 1.90 | 0.60 | 1.20 | 0.40 | 0.20 |
| BSMD1206-005-60V | BZ | 3500 | 3.00 | 3.60 | 1.50 | 1.90 | 0.60 | 1.20 | 0.40 | 0.20 |
| BSMD1206-005-72V | BZ | 3500 | 3.00 | 3.60 | 1.50 | 1.90 | 0.60 | 1.20 | 0.40 | 0.20 |
| BSMD1206-010-30V | BN | 3500 | 3.00 | 3.60 | 1.50 | 1.90 | 0.60 | 1.20 | 0.40 | 0.20 |
| BSMD1206-010-60V | BN | 3500 | 3.00 | 3.60 | 1.50 | 1.90 | 0.60 | 1.20 | 0.40 | 0.20 |
| BSMD1206-010-72V | BN | 3500 | 3.00 | 3.60 | 1.50 | 1.90 | 0.60 | 1.20 | 0.40 | 0.20 |
| BSMD1206-012-60V | BN | 3500 | 3.00 | 3.60 | 1.50 | 1.90 | 0.60 | 1.20 | 0.40 | 0.20 |
| BSMD1206-016-33V | BT | 3500 | 3.00 | 3.60 | 1.50 | 1.90 | 0.40 | 1.20 | 0.40 | 0.20 |
| BSMD1206-016-48V | BT | 3500 | 3.00 | 3.60 | 1.50 | 1.90 | 0.40 | 1.20 | 0.40 | 0.20 |
| BSMD1206-016-60V | BT | 3500 | 3.00 | 3.60 | 1.50 | 1.90 | 0.40 | 1.00 | 0.40 | 0.20 |
| BSMD1206-020-24V | BA | 3500 | 3.00 | 3.60 | 1.50 | 1.90 | 0.40 | 1.00 | 0.40 | 0.20 |
| BSMD1206-020-30V | BA | 3500 | 3.00 | 3.60 | 1.50 | 1.90 | 0.40 | 1.00 | 0.40 | 0.20 |
| BSMD1206-020-33V | BA | 3500 | 3.00 | 3.60 | 1.50 | 1.90 | 0.40 | 1.00 | 0.40 | 0.20 |
| BSMD1206-025-16V | BA | 3500 | 3.00 | 3.60 | 1.50 | 1.90 | 0.40 | 1.00 | 0.40 | 0.20 |
| BSMD1206-025-24V | BA | 3500 | 3.00 | 3.60 | 1.50 | 1.90 | 0.40 | 1.00 | 0.40 | 0.20 |
| BSMD1206-025-30V | BA | 3500 | 3.00 | 3.60 | 1.50 | 1.90 | 0.40 | 1.00 | 0.40 | 0.20 |
| BSMD1206-025-33V | BA | 3500 | 3.00 | 3.60 | 1.50 | 1.90 | 0.40 | 1.00 | 0.40 | 0.20 |
| BSMD1206-025-48V | BA | 3500 | 3.00 | 3.60 | 1.50 | 1.90 | 0.50 | 1.30 | 0.40 | 0.20 |
| BSMD1206-030-16V | BB | 3500 | 3.00 | 3.60 | 1.50 | 1.90 | 0.40 | 1.00 | 0.40 | 0.20 |
| BSMD1206-030-24V | BB | 3500 | 3.00 | 3.60 | 1.50 | 1.90 | 0.40 | 1.00 | 0.40 | 0.20 |
| BSMD1206-030-30V | BB | 3500 | 3.00 | 3.60 | 1.50 | 1.90 | 0.40 | 1.00 | 0.40 | 0.20 |
| BSMD1206-030-33V | BB | 3500 | 3.00 | 3.60 | 1.50 | 1.90 | 0.40 | 1.00 | 0.40 | 0.20 |
| BSMD1206-035-6V | BB | 3500 | 3.00 | 3.60 | 1.50 | 1.90 | 0.40 | 1.00 | 0.40 | 0.20 |
| BSMD1206-035-16V | BB | 3500 | 3.00 | 3.60 | 1.50 | 1.90 | 0.40 | 1.00 | 0.40 | 0.20 |
| BSMD1206-035-24V | BB | 3500 | 3.00 | 3.60 | 1.50 | 1.90 | 0.40 | 1.00 | 0.40 | 0.20 |
| BSMD1206-035-30V | BB | 3500 | 3.00 | 3.60 | 1.50 | 1.90 | 0.40 | 1.00 | 0.40 | 0.20 |
| BSMD1206-035-33V | BB | 3500 | 3.00 | 3.60 | 1.50 | 1.90 | 0.40 | 1.00 | 0.40 | 0.20 |
| BSMD1206-050-6V | BF | 3500 | 3.00 | 3.60 | 1.50 | 1.90 | 0.40 | 1.00 | 0.40 | 0.20 |

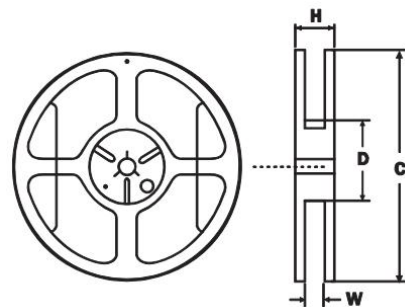
| Part Number | Marking | Quantity | A | | B | | C | | D | E |
|--------------------|---------|----------|------|------|------|------|------|------|------|------|
| | | | Min | Max | Min | Max | Min | Max | Min | Min |
| BSMD1206-050-9V | BF | 3500 | 3.00 | 3.60 | 1.50 | 1.90 | 0.40 | 1.00 | 0.40 | 0.20 |
| BSMD1206-050-13.2V | BF | 3500 | 3.00 | 3.60 | 1.50 | 1.90 | 0.40 | 1.00 | 0.40 | 0.20 |
| BSMD1206-050-16V | BF | 3500 | 3.00 | 3.60 | 1.50 | 1.90 | 0.40 | 1.00 | 0.40 | 0.20 |
| BSMD1206-050-24V | BF | 3500 | 3.00 | 3.60 | 1.50 | 1.90 | 0.50 | 1.20 | 0.40 | 0.20 |
| BSMD1206-050-30V | BF | 3500 | 3.00 | 3.60 | 1.50 | 1.90 | 0.50 | 1.20 | 0.40 | 0.20 |
| BSMD1206-050-33V | BF | 3500 | 3.00 | 3.60 | 1.50 | 1.90 | 0.50 | 1.20 | 0.40 | 0.20 |
| BSMD1206-075-6V | BG | 3500 | 3.00 | 3.60 | 1.50 | 1.90 | 0.50 | 1.00 | 0.40 | 0.20 |
| BSMD1206-075-9V | BG | 3500 | 3.00 | 3.60 | 1.50 | 1.90 | 0.50 | 1.00 | 0.40 | 0.20 |
| BSMD1206-075-13.2V | BG | 3500 | 3.00 | 3.60 | 1.50 | 1.90 | 0.50 | 1.00 | 0.40 | 0.20 |
| BSMD1206-075-16V | BG | 3500 | 3.00 | 3.60 | 1.50 | 1.90 | 0.50 | 1.00 | 0.40 | 0.20 |
| BSMD1206-075-24V | BG | 3500 | 3.00 | 3.60 | 1.50 | 1.90 | 0.60 | 1.60 | 0.40 | 0.20 |
| BSMD1206-075-30V | BG | 3500 | 3.00 | 3.60 | 1.50 | 1.90 | 0.60 | 1.60 | 0.40 | 0.20 |
| BSMD1206-100-6V | BH | 3500 | 3.00 | 3.60 | 1.50 | 1.90 | 0.50 | 1.60 | 0.40 | 0.20 |
| BSMD1206-100-13.2V | BH | 3500 | 3.00 | 3.60 | 1.50 | 1.90 | 0.50 | 1.60 | 0.40 | 0.20 |
| BSMD1206-100-16V | BH | 3500 | 3.00 | 3.60 | 1.50 | 1.90 | 0.50 | 1.60 | 0.40 | 0.20 |
| BSMD1206-100-24V | BH | 3500 | 3.00 | 3.60 | 1.50 | 1.90 | 0.50 | 1.60 | 0.40 | 0.20 |
| BSMD1206-100-30V | BH | 3500 | 3.00 | 3.60 | 1.50 | 1.90 | 0.50 | 1.60 | 0.40 | 0.20 |
| BSMD1206-110-6V | BH | 3500 | 3.00 | 3.60 | 1.50 | 1.90 | 0.50 | 1.60 | 0.40 | 0.20 |
| BSMD1206-110-13.2V | BH | 3500 | 3.00 | 3.60 | 1.50 | 1.90 | 0.50 | 1.60 | 0.40 | 0.20 |
| BSMD1206-110-16V | BH | 3500 | 3.00 | 3.60 | 1.50 | 1.90 | 0.50 | 1.60 | 0.40 | 0.20 |
| BSMD1206-110-24V | BH | 3500 | 3.00 | 3.60 | 1.50 | 1.90 | 0.50 | 1.60 | 0.40 | 0.20 |
| BSMD1206-110-30V | BH | 3500 | 3.00 | 3.60 | 1.50 | 1.90 | 0.50 | 1.60 | 0.40 | 0.20 |
| BSMD1206-150-6V | BI | 3500 | 3.00 | 3.60 | 1.50 | 1.90 | 0.50 | 1.60 | 0.40 | 0.20 |
| BSMD1206-150-9V | BI | 3500 | 3.00 | 3.60 | 1.50 | 1.90 | 0.50 | 1.60 | 0.40 | 0.20 |
| BSMD1206-150-12V | BI | 3500 | 3.00 | 3.60 | 1.50 | 1.90 | 0.80 | 1.60 | 0.40 | 0.20 |
| BSMD1206-150-13.2V | BI | 3500 | 3.00 | 3.60 | 1.50 | 1.90 | 0.80 | 1.60 | 0.40 | 0.20 |
| BSMD1206-150-16V | BI | 3500 | 3.00 | 3.60 | 1.50 | 1.90 | 0.80 | 1.60 | 0.40 | 0.20 |
| BSMD1206-200-6V | BK | 3500 | 3.00 | 3.60 | 1.50 | 1.90 | 0.70 | 1.60 | 0.40 | 0.20 |
| BSMD1206-200-9V | BK | 3500 | 3.00 | 3.60 | 1.50 | 1.90 | 0.70 | 1.60 | 0.40 | 0.20 |
| BSMD1206-200-12V | BK | 3500 | 3.00 | 3.60 | 1.50 | 1.90 | 0.70 | 1.60 | 0.40 | 0.20 |
| BSMD1206-200-13.2V | BK | 3500 | 3.00 | 3.60 | 1.50 | 1.90 | 0.70 | 1.60 | 0.40 | 0.20 |
| BSMD1206-200-16V | BK | 3500 | 3.00 | 3.60 | 1.50 | 1.90 | 0.70 | 1.60 | 0.40 | 0.20 |
| BSMD1206-260-6V | BP | 3500 | 3.00 | 3.60 | 1.50 | 1.90 | 1.00 | 1.60 | 0.40 | 0.20 |
| BSMD1206-260-12V | BP | 3500 | 3.00 | 3.60 | 1.50 | 1.90 | 1.00 | 1.60 | 0.40 | 0.20 |
| BSMD1206-300-6V | BP | 3500 | 3.00 | 3.60 | 1.50 | 1.90 | 1.00 | 1.60 | 0.40 | 0.20 |
| BSMD1206-300-8V | BP | 3500 | 3.00 | 3.60 | 1.50 | 1.90 | 1.00 | 1.60 | 0.40 | 0.20 |
| BSMD1206-300-12V | BP | 3500 | 3.00 | 3.60 | 1.50 | 1.90 | 1.00 | 1.60 | 0.40 | 0.20 |

➤ **Tape And Reel Specifications (mm)**



| Governing Specifications | BSMD1206-005~ BSMD1206-150 | BSMD1206-200~ BSMD1206-300 |
|--------------------------|-------------------------------|-------------------------------|
| W | 8.0 ± 0.3 | 8.0 ± 0.3 |
| F | 3.5 ± 0.05 | 3.5 ± 0.05 |
| E1 | 1.75 ± 0.1 | 1.75 ± 0.1 |
| D0 | 1.55 ± 0.05 | 1.55 ± 0.05 |
| D1 | 1.0 ± 0.1 | 1.0 ± 0.1 |
| P0 | 4.0 ± 0.1 | 4.0 ± 0.1 |
| P1 | 4.0 ± 0.1 | 4.0 ± 0.1 |
| P2 | 2.0 ± 0.05 | 2.0 ± 0.05 |
| A0 | 1.95 ± 0.1 | 1.95 ± 0.1 |
| B0 | 3.65 ± 0.1 | 3.65 ± 0.1 |
| T | 0.2 ± 0.1 | 0.2 ± 0.1 |
| K0 | 1.04 ± 0.1 | 1.35 ± 0.1 |
| Leader _{min} | 390 | 390 |
| Trailer _{min} | 160 | 160 |

| Reel Dimensions | |
|-----------------|-------------|
| C | φ178 ± 1.0 |
| D | φ60.2 ± 0.5 |
| H | 11.0 ± 0.5 |
| W | 9.0 ± 1.5 |



➤ **Contact information**

SHENZHEN BHFUSE INDUSTRIAL CO., LTD

TEL: 0755-85259917

E-MAIL: sales@bhfuse.com

X-ON Electronics

Largest Supplier of Electrical and Electronic Components

Click to view similar products for [Resettable Fuses - PPTC](#) category:

Click to view products by [BHFUSE](#) manufacturer:

Other Similar products are found below :

[RF0077-000](#) [RF0627-000](#) [RF3301-000](#) [RF3382-000](#) [RF3394-000](#) [RF3399-000](#) [SMD125-2](#) [RF1973-000](#) [RF2531-000](#) [RF2873-000](#) [RF3060-000](#) [RF3311-000](#) [TR600-150Q-B-0.5-0.130](#) [RXE090](#) [5E4795/04-1502](#) [TRF250-080T-B-1.0-0.125](#) [SMD100-2](#) [NIS5431MT1TXG](#) [SMD250-2](#) [RS30-090](#) [RS30-600](#) [RS30-800](#) [RS30-900](#) [RS60RB-160](#) [RS60SB-250](#) [SB250-145](#) [K30U400](#) [0ZCH0110AF2E](#) [BK60-110-DI-E0.6](#) [BK250-120-SZ-E0.6](#) [BK60-010-DI-E0.5](#) [BK250-040-DY-E0.6](#) [RF2631-000](#) [NIS4461MT3TXG](#) [NIS5420MT2TXG](#) [NIS5420MT3TXG](#) [NIS6420MT1TWG](#) [RF5032-000](#) [RF5051-000](#) [RF5105-000](#) [RF5062-000](#) [RF5055-000](#) [RF5052-000](#) [2920L075/72MR](#) [BSMD0603-025-24V](#) [BSMD0402L-005](#) [BSMD0603-010-9V](#) [BSMD1812-020-60V](#) [BSMD2920-400-30V](#) [BSMD0603-010-12V](#)