

◆ 产品特点 Features

- V、H、C 型多种结构，安装时可选择；
V, H, C a variety of structure, can choose when to install;
- 符合 ROHS 标准，无 Cd、Pb 等污染物质；
Comply with ROHS standards no Cd Pb and other pollutants;
- 充放电循环寿命长；
Long charge-discharge cycle life;
- 漏电流低，适合时钟芯片数据保持。
Ultra-low leakage current, suitable for keeping the clock chip data.



◆ 应用 Applications

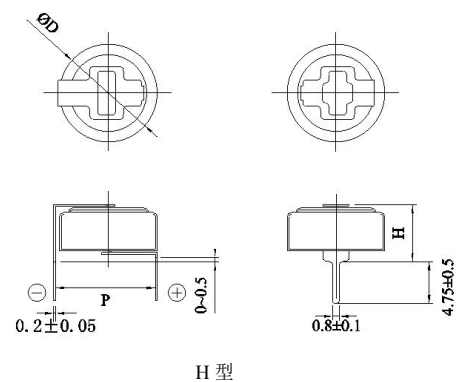
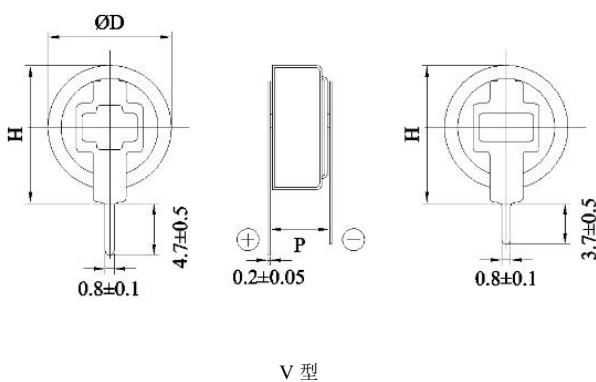
- 工作电流 $\mu\text{A}\sim 10\text{mA}$ ，工作时间秒级至几个月；
Working current from $\mu\text{A}\sim 10\text{mA}$, working hours microseconds to a few months;
- 可用于手摇手电筒、电表、时钟保持、家电控制器、玩具等。
Can be used for Hand-cranked flashlight, Electric meter, Water meter, Gas meter, The clock to keep, Electrical home appliances control, toys, etc.

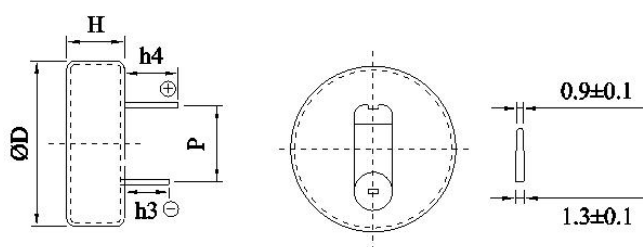
◆ 标准测试条件 standard test conditions

在标准大气压，温度 $5\sim 35\text{ }^{\circ}\text{C}$ ，相对湿度小于 85 % 条件下进行测试；本规格书标准测试条件为标准大气压，温度 $25\text{ }^{\circ}\text{C}$ ，相对湿度小于 60%。

Products are tested under normal pressure, the temperature range is from $5\sim 35\text{ }^{\circ}\text{C}$ and relative humidity is less than RH85%. The standard test conditions in this product specification are as follows: under normal pressure; the temperature at $25\text{ }^{\circ}\text{C}$ and the relative humidity less than 60%.

◆ BIGCAP®标准产品外形尺寸图 Shape of standard product





C 型

◆ BIGCAP®标准产品规格 Standard product specification

表 1

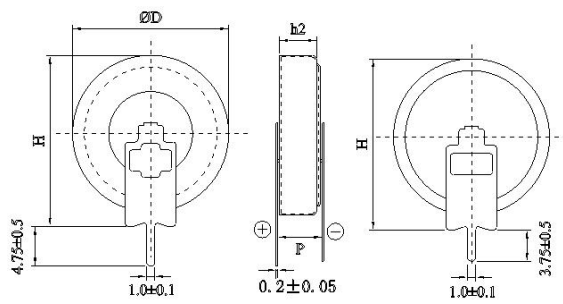
型号 Part Number	额定电压 Nominal Voltage, V dc	容量 Capacitance F	容量 允许偏差 Cap.olerance	内阻 ESR, mΩ		尺寸 Size, mm ØD×L	质量 Weight g	体积 Volume ml
				AC@1kHz	DC			
BCT003R6C104FS	3.6	0.10	±20%	40	60	13.5×6.6	3.0	0.94
BCT003R6H104FS	3.6	0.10	±20%	40	60	11.5×6.0	1.4	0.62
BCT003R6V104FS	3.6	0.10	±20%	40	60	11.5×12.5	1.4	1.30
BCT003R6C224FS	3.6	0.22	±20%	40	60	13.5×6.6	3.1	0.94
BCT003R6H224FS	3.6	0.22	±20%	40	60	11.5×6.0	1.5	0.62
BCT003R6V224FS	3.6	0.22	±20%	40	60	11.5×12.5	1.5	1.30
BCT003R6C334FAS	3.6	0.33	±20%	50	75	13.5×6.6	3.1	0.94
BCT003R6H334FAS	3.6	0.33	±20%	50	75	11.5×6.0	1.5	0.62
BCT003R6V334FAS	3.6	0.33	±20%	50	75	11.5×12.5	1.5	1.30
BCT003R6C334FBS	3.6	0.33	±20%	50	75	13.5×7.3	3.1	1.04
BCT003R6H334FBS	3.6	0.33	±20%	50	75	11.5×6.0	1.5	0.62
BCT003R6V334FBS	3.6	0.33	±20%	50	75	11.5×12.5	1.5	1.30
BCT003R6C474FS	3.6	0.47	±20%	40	60	13.5×7.3	3.2	1.04
BCT003R6H474FS	3.6	0.47	±20%	40	60	11.5×6.0	1.6	0.62
BCT003R6V474FS	3.6	0.47	±20%	40	60	11.5×12.5	1.6	1.30
BCT005R5V224FBS	5.5	0.22	±20%	75	112.5	11.5×12.5	2.3	1.30
BCT005R5V334FS	5.5	0.33	±20%	60	90	11.5×12.5	2.4	1.30

表 2

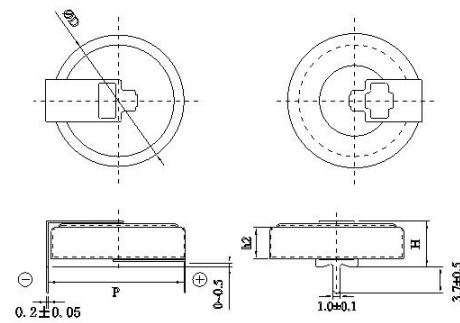
型号 Part Number	存储能量 Max. Stored Energy, mWh	能量密度 Energy Density		功率密度 Power Density		额定电流 Nominal Current, A	最大电流 Max Current, A	72hLC Leakage Current at 72h (25°C), µA
		质量比 Wh/kg Gravimetric	体积比 Wh/L Volumetric	质量比 KW/kg Gravimetric	体积比 KW/L Volumetric			
BCT003R6C104FS	0.18	0.06	0.19	0.02	0.06	0.012	0.032	<1
BCT003R6H104FS	0.18	0.13	0.29	0.04	0.09	0.012	0.032	<1
BCT003R6V104FS	0.18	0.13	0.14	0.04	0.04	0.012	0.032	<1
BCT003R6C224FS	0.40	0.13	0.42	0.02	0.06	0.015	0.042	<1
BCT003R6H224FS	0.40	0.26	0.64	0.04	0.09	0.015	0.042	<1

BCT003R6V224FS	0.40	0.26	0.30	0.04	0.04	0.015	0.042	<1
BCT003R6C334FAS	0.59	0.19	0.63	0.01	0.05	0.016	0.044	<1
BCT003R6H334FAS	0.59	0.40	0.96	0.03	0.07	0.016	0.044	<1
BCT003R6V334FAS	0.59	0.40	0.46	0.03	0.03	0.016	0.044	<1
BCT003R6C334FBS	0.59	0.19	0.57	0.01	0.04	0.016	0.044	<1
BCT003R6H334FBS	0.59	0.40	0.96	0.03	0.07	0.016	0.044	<1
BCT003R6V334FBS	0.59	0.40	0.46	0.03	0.03	0.016	0.044	<1
BCT003R6C474FS	0.85	0.26	0.81	0.02	0.05	0.031	0.085	<2
BCT003R6H474FS	0.85	0.53	1.36	0.03	0.09	0.031	0.085	<2
BCT003R6V474FS	0.85	0.53	0.65	0.03	0.04	0.031	0.085	<2
BCT005R5V224FBS	0.92	0.40	0.71	0.03	0.05	0.016	0.044	<1
BCT005R5V334FS	1.39	0.58	1.07	0.04	0.06	0.016	0.044	<1

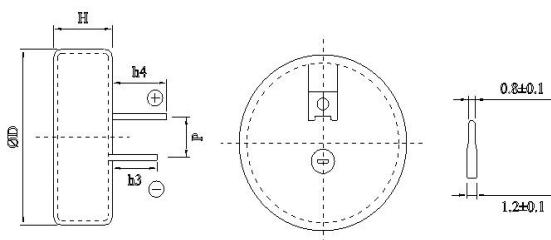
◆ **BIGCAP®标准产品外形尺寸图 Shape of standard product**



V 型



H 型



C 型

◆ BIGCAP®标准产品规格 Standard product specification

表 3

型号 Part Number	额定电压 Nominal Voltage, V dc	容量 Capacitance F	容量 允许偏差 Cap.olerance	内阻 ESR, mΩ		尺寸 Size, mm ΦD×L	质量 Weight g	体积 Volume ml
				AC@1kHz	DC			
				BCT003R6C105FS	3.6	1.0	±20%	15
BCT003R6H105FS	3.6	1.0	±20%	15	22.5	19×6.5	4.3	1.84
BCT003R6V105FS	3.6	1.0	±20%	15	22.5	19×20.5	4.3	5.80
BCT003R6C155FS	3.6	1.5	±20%	10	15	20.5×7.6	9.3	2.51
BCT003R6H155FS	3.6	1.5	±20%	10	15	19×6.5	4.5	1.84
BCT003R6V155FS	3.6	1.5	±20%	10	15	19×20.5	4.5	5.80
BCT003R6C205FS	3.6	2.0	±20%	10	15	20.5×7.7	10	2.54
BCT003R6H205FS	3.6	2.0	±20%	10	15	19×6.5	4.9	1.84
BCT003R6V205FS	3.6	2.0	±20%	10	15	19×20.5	4.9	5.80
BCT005R5V684FS	5.5	0.68	±20%	45	67.5	20.5×10	6.4	3.30
BCT005R5C684FS	5.5	0.68	±20%	45	67.5	19×20.5	13.5	5.80
BCT005R5C105FS	5.5	1.0	±20%	30	45	20.5×10	13.9	3.30
BCT005R5V105FS	5.5	1.0	±20%	30	45	19×20.5	6.7	5.80

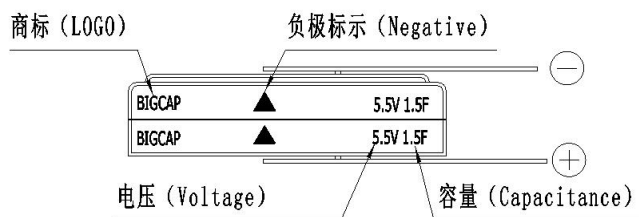
表 4

型号 Part Number	存储能量 Max. Stored Energy, mWh	能量密度 Energy Density		功率密度 Power Density		额定电流 Nominal Current,A	最大电流 Max Current,A	72hLC Leakage Current at 72h (25℃),uA
		质量比 Wh/kg Gravimetric	体积比 Wh/L Volumetric	质量比 KW/kg Gravimetric	体积比 KW/L Volumetric			
		BCT003R6C105FS	1.80	0.20	0.72			
BCT003R6H105FS	1.80	0.42	0.98	0.03	0.08	0.053	0.13	<2
BCT003R6V105FS	1.80	0.42	0.31	0.03	0.02	0.053	0.13	<2
BCT003R6C155FS	2.70	0.29	1.08	0.02	0.09	0.071	0.175	<3
BCT003R6H155FS	2.70	0.60	1.47	0.05	0.12	0.071	0.175	<3
BCT003R6V155FS	2.70	0.60	0.47	0.05	0.04	0.071	0.175	<3
BCT003R6C205FS	3.60	0.36	1.42	0.02	0.09	0.082	0.186	<4
BCT003R6H205FS	3.60	0.73	1.96	0.04	0.12	0.082	0.186	<4
BCT003R6V205FS	3.60	0.73	0.62	0.04	0.04	0.082	0.186	<4
BCT005R5V684FS	2.86	0.45	0.87	0.02	0.03	0.053	0.130	<2
BCT005R5C684FS	2.86	0.21	0.49	0.01	0.02	0.053	0.130	<2
BCT005R5C105FS	4.20	0.30	1.27	0.01	0.05	0.071	0.175	<3
BCT005R5V105FS	4.20	0.63	0.72	0.03	0.03	0.071	0.175	<3

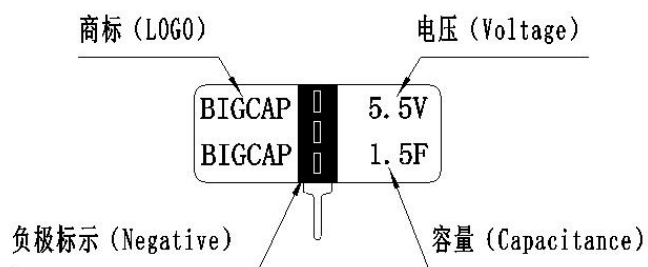
◆ 典型特性 Typical characteristics

产品依据标准 Product Standard	依据 IEC 62391-1, GB/T2693—2001, Q/BIG001—2013 测试标准 According to IEC 62391-1, GB/T2693—2001, Q/BIG001—2013 test standard	
温度特性 Characteristics in Different Temperature	-25℃~+85℃	与初始值比较, $ \Delta C/C \leq 50\%$, ESR ≤ 4 倍初始规定值 Compared with the initial value, $ \Delta C/C \leq 50\%$, ESR ≤ 4 Initial specified value
存储温度范围 (at 0V) Storage Temperature Range (at, 0V)	-25℃~+70℃	
湿热特性 (at 25℃, 90~95%RH) Humidity Characteristics (at 25℃, 90~95%RH)	240h	与初始值比较, $ \Delta C/C \leq 30\%$, ESR ≤ 2 倍初始规定值, 无漏液机械损伤 Compared with the initial value, $ \Delta C/C \leq 30\%$, ESR ≤ 2 Initial specified value, no leaked electrolyte or other mechanical damage
常温寿命 (at $U_0, 25^\circ\text{C}$) Predicted Life at Normal Temperature (at $U_0, 25^\circ\text{C}$)	10 年	与初始值比较, $ \Delta C/C \leq 30\%$, ESR ≤ 4 倍初始规定值, 无漏液机械损伤 Compared with the initial value, $ \Delta C/C \leq 30\%$, ESR ≤ 4 Initial specified value, no leaked electrolyte or other mechanical damage
高温寿命 (at $U_0, 85^\circ\text{C}$) High Temperature Life (at $U_0, 85^\circ\text{C}$)	1000h	
循环寿命 (at $U_0, 25^\circ\text{C}$) Cycle Life (at $U_0, 25^\circ\text{C}$)	500000 次	
存放寿命 (at 0V, 85℃) Shelf Life (at 0V, 85℃)	1000h	与初始值比较, $ \Delta C/C \leq 20\%$, ESR ≤ 3 倍初始规定值, 无漏液机械损伤 Compared with the initial value, $ \Delta C/C \leq 20\%$, ESR ≤ 3 Initial specified value, no leaked electrolyte or other mechanical damage
自放电特性 (电压保持特性) (at 25℃) Self discharge characteristics (voltage holding characteristics) (at 25℃)	正负极间电压大于等于 3.0V/4.2V The voltage between the positive and negative electrode $\geq 3.0\text{V}/4.2\text{V}$	充电过程: 无负载, 额定电压充电 24h 放置过程: 相对湿度小于 60%RH, 开路放置 24h Charging process: normal temperature, non-loaded, charge at rated voltage for 24h Lay aside process: temperature less than 25℃, relative humidity less than 60%RH, lay aside 24h at open circuit

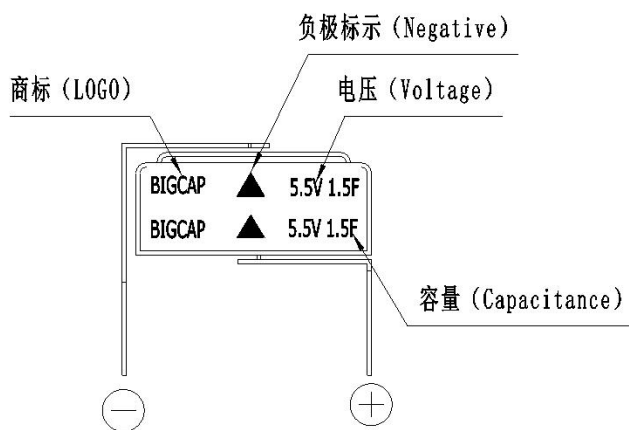
◆ **标识 Markings**



V 型

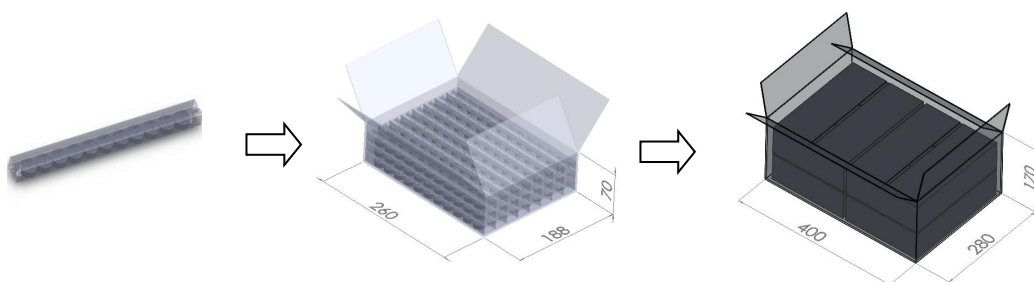


C 型



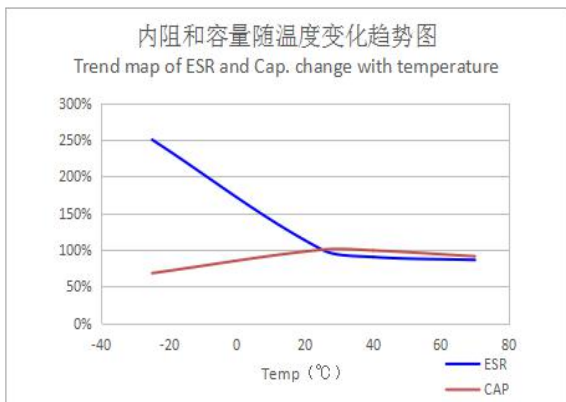
H 型

◆ **包装方式 Packaging method**

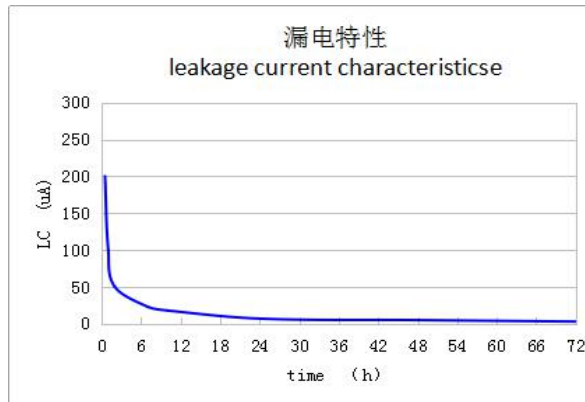


◆ 特性曲线 characteristic curve

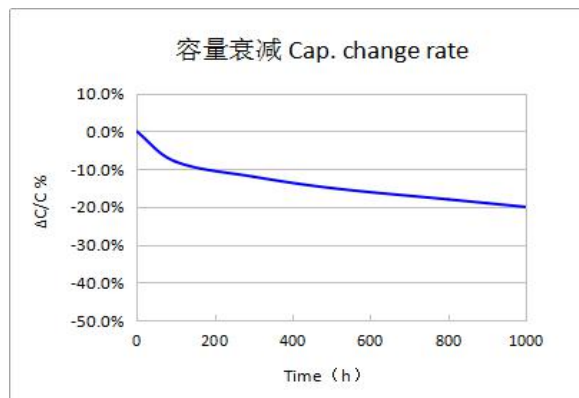
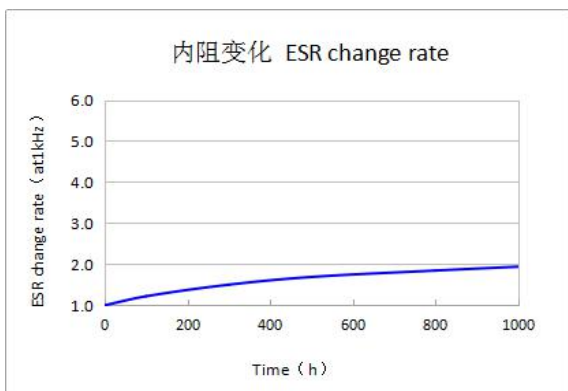
(1) 温度特性 Characteristics in different temperature



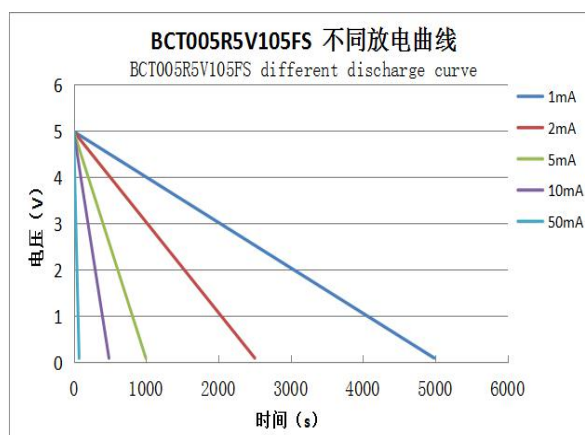
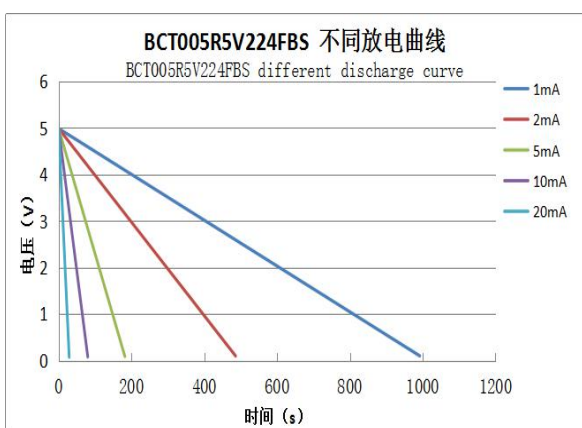
(2) 漏电流特性 LC characteristics



(3) 高温特性 High Temperature Life (at 3.6V/5.5V,85°C)



(4) 放电特性特性 LC characteristics



*以上特性曲线图均是趋势图，每一个型号的具体数据请与厂家技术支持联系

*The above characteristic curves are trend charts. Please contact the manufacturer's technical support for the specific data of each model

X-ON Electronics

Largest Supplier of Electrical and Electronic Components

Click to view similar products for [Supercapacitors](#) / [Ultracapacitors](#) category:

Click to view products by [BIGCAP](#) manufacturer:

Other Similar products are found below :

[BZ12GA154ZHB](#) [BZ195B273ZNBDM](#) [C-TEC1225 P](#) [SCCY73B407SLBLE](#) [CPM3225A-2K](#) [iMOD054V062P3L-11A](#) [SCCS30B126SRB](#)
[SC5V5Z255M](#) [TV1020-3R0605-AP](#) [SC5V5C224Z](#) [SC6V0Z505MV](#) [SC5V5Z255MH](#) [SC3V0L156MV](#) [SC2V7L156M](#) [SC5V5V224Z](#)
[SC5V5H334Z](#) [SC6V0Z105MV](#) [SC2V7L206M](#) [SC2V7L105MLR](#) [SC5V5Z505M](#) [SC5V5Z106MH](#) [SC5V5H105Z](#) [SC2V7L705MLR](#)
[SC5V5H104Z](#) [SC5V5C474Z](#) [SC3V0L256MV](#) [SC5V5Z105Z](#) [SC5V5C334Z](#) [SC5V5V474Z](#) [SC5V5V334Z](#) [SC5V5Z505MH](#) [SC5V5V104Z](#)
[SC5V5V155Z](#) [SC5V5H155Z](#) [SC5V5C155Z](#) [SC5V5H224Z](#) [FMU0H334ZFTP18](#) [ADCR-S03R0SA505MB](#) [ADCR-S03R0SA335MB](#) [ADCR-S03R0SA156MB](#) [ADCR-S03R0SA256MB](#) [ADCR-S03R0SA106MB](#) [ADCR-S03R0SA305MB](#) [ADCR-S03R0SB505MB](#)
[DB5U207M30045HA](#) [DH5U128W60074TH](#) [DRE10/2.5](#) [106DCN2R7M](#) [SCCR20B335SRB](#) [SCCT30B156SRB](#)