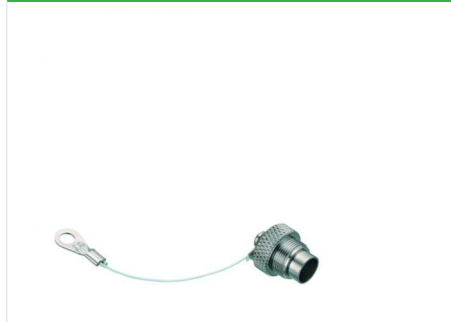
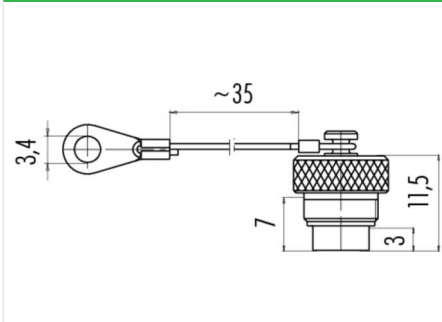


Product description **Protection cap for female panel mount connector**
 Order number **08 0352 000 001**

Illustration



Scale drawing



Technical data

Degree of protection IP67

Matching products

- 09 0404 00 02 - Female panel mount connector, solder
- 09 0408 00 03 - Female panel mount connector, solder
- 09 0412 00 04 - Female panel mount connector, solder
- 09 0416 00 05 - Female panel mount connector, solder
- 09 0424 00 07 - Female panel mount connector, solder
- 09 0428 00 08 - Female panel mount connector, solder
- 09 0404 80 02 - Female panel mount connector, solder, screwed from front
- 09 0408 80 03 - Female panel mount connector, solder, screwed from front
- 09 0412 80 04 - Female panel mount connector, solder, screwed from front
- 09 0416 80 05 - Female panel mount connector, solder, screwed from front
- 09 0424 80 07 - Female panel mount connector, solder, screwed from front
- 09 0428 80 08 - Female panel mount connector, solder, screwed from front
- 09 0404 90 02 - Female panel mount connector, dip-solder, screwed from front
- 09 0408 90 03 - Female panel mount connector, dip-solder, screwed from front
- 09 0412 90 04 - Female panel mount connector, dip-solder, screwed from front
- 09 0416 90 05 - Female panel mount connector, dip-solder, screwed from front
- 09 0424 90 07 - Female panel mount connector, dip-solder, screwed from front
- 09 0428 90 08 - Female panel mount connector, dip-solder, screwed from front
- 09 0404 30 02 - Female panel mount connector, dip-solder, screwed from front with shielding sheet (6 mm)
- 09 0408 30 03 - Female panel mount connector, dip-solder, screwed from front with shielding sheet (6 mm)
- 09 0412 30 04 - Female panel mount connector, dip-solder, screwed from front with shielding sheet (6 mm)
- 09 0416 30 05 - Female panel mount connector, dip-solder, screwed from front with shielding sheet (6 mm)
- 09 0424 30 07 - Female panel mount connector, dip-solder, screwed from front with shielding sheet (6 mm)
- 09 0428 30 08 - Female panel mount connector, dip-solder, screwed from front with shielding sheet (6 mm)
- 09 0404 35 02 - Female panel mount connector, dip-solder, screwed from front with shielding sheet (10 mm)
- 09 0408 35 03 - Female panel mount connector, dip-solder, screwed from front with shielding sheet (10 mm)
- 09 0412 35 04 - Female panel mount connector, dip-solder, screwed from front with shielding sheet (10 mm)
- 09 0416 35 05 - Female panel mount connector, dip-solder, screwed from front with shielding sheet (10 mm)
- 09 0424 35 07 - Female panel mount connector, dip-solder, screwed from front with shielding sheet (10 mm)
- 09 0428 35 08 - Female panel mount connector, dip-solder, screwed from front with shielding sheet (10 mm)
- 09 0404 55 02 - Female panel mount connector, dip-solder, screwed from front with shielding sheet, angled
- 09 0416 55 05 - Female panel mount connector, dip-solder, screwed from front with shielding sheet, angled
- 09 0424 65 07 - Female panel mount connector with flexible printed circuit board (PCB), contacts 7
- 09 0428 65 08 - Female panel mount connector with flexible printed circuit board (PCB), contacts 8

X-ON Electronics

Largest Supplier of Electrical and Electronic Components

Click to view similar products for [Binder manufacturer](#):

Other Similar products are found below :

[79-6172-20-08](#) [99-2442-42-04](#) [99-9114-50-05](#) [76-0232-0015-00004-0200](#) [76-0532-1011-00008-0200](#) [08-2670-000-000](#) [09-0111-300-04](#) [09-0124-300-06](#) [99-5461-15-19](#) [99-9116-490-05](#) [99-9127-490-08](#) [99-9227-400-08](#) [99-3360-25-03](#) [99-3730-810-04](#) [99-4221-160-04](#) [99-4637-20-06](#) [79-3534-37-04](#) [09-0431-76-04](#) [99-0610-02-04](#) [09-0127-80-07](#) [99-4603-00-09](#) [09-0148-72-12](#) [99-5109-210-04](#) [99-5462-75-19](#) [79-9722-100-08](#) [31-5235-300-000](#) [77-3408-0000-20004-0500](#) [77-3534-0000-50704-0500](#) [77-3630-0000-50003-0200](#) [99-4627-10-12](#) [08-2301-000-000](#) [09 0137 70 04](#) [79-9723-020-08](#) [61-0796-085-00](#) [08-2636-400-001](#) [09-0123-782-06](#) [09-0129-70-12](#) [99-0629-19-04](#) [99-5105-40-03](#) [99-5125-15-07](#) [99-5172-75-08](#) [99-5606-15-03](#) [99-9135-490-12](#) [99-1429-822-04](#) [99-0436-15-05](#) [99-2440-62-03](#) [09-0041-00-07](#) [08-0045-000-001](#) [09-0323-80-06](#) [09-0427-30-08](#)