

Product data sheet

Automation technology - Voltage and Power Supply

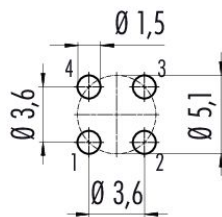


| | |
|---------------------|--|
| Product description | M12 Male panel mount connector, Contacts: 4, unshielded, THT, IP68, UL, VDE, M16x1.5, front fastened |
| Area | M12-T series 813 |
| Part no. | 09 0631 90 04 |

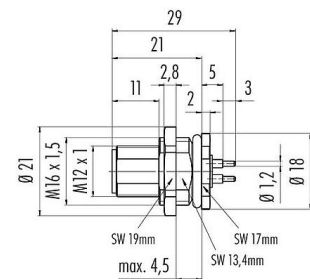
Illustration



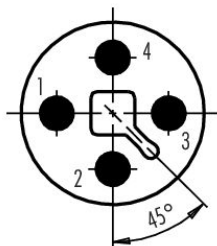
Conductor layout



Scale drawing



Contact arrangement (Plug-in side)



You can find the assembly instructions on the next page.

Technical data

General features

| | |
|------------------|--|
| Part no. | 09 0631 90 04 |
| Connector design | Male panel mount connector |
| Type standard | DIN EN IEC 61076-2-111:2018-10;VDE 0687-76-2-111:2018-10 |
| Version | Connector pin straight |

| | |
|---------------------|---|
| Product description | M12 Male panel mount connector, Contacts: 4, unshielded, THT, IP68, UL, VDE, M16x1.5, front fastened |
| - | - |
| Area | M12-T series 813 |
| Part no. | 09 0631 90 04 |

| | |
|---------------------------|------------------------------------|
| Connector locking system | screw |
| Termination | THT |
| Degree of protection | IP68 |
| Cross-sectional area | max. 1.50 mm ² / AWG 16 |
| Temperature range from/to | -40 °C / 85 °C |
| Mechanical operation | > 100 Mating cycles |
| Weight (g) | 14.51 |
| Customs tariff number | 85369010 |
| Country of Origin | DE |

Electrical parameters

| | |
|---------------------------|------------|
| Rated voltage | 63 V |
| Rated impulse voltage | 1500 V |
| Rated current | 12.0 A |
| Pollution degree | 3 |
| Overvoltage category | III |
| Insulating material group | II |
| EMC compliance | unshielded |

Material

| | |
|-----------------------|--------------------------------------|
| Contact body material | PA |
| Contact material | CuZn (brass) |
| Contact plating | Au (gold) |
| REACH SVHC | CAS 7439-92-1 (Lead) |
| SCIP number | b97c823b-d50c-467a-9911-a24809178f54 |

Authorization/approvals

| | |
|-----------|---------|
| Approvals | UL, VDE |
|-----------|---------|

Classifications

| | |
|-------------|-------------|
| eCl@ss 11.1 | 27-44-01-09 |
| ETIM 9.0 | EC003569 |

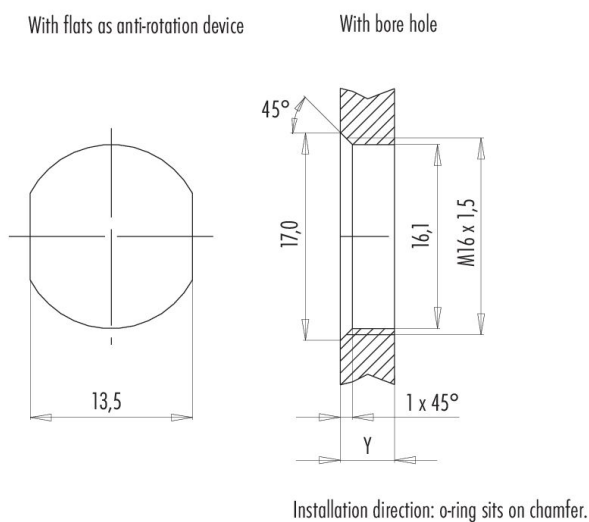
Product data sheet

Automation technology - Voltage and Power Supply



Product description **M12 Male panel mount connector, Contacts: 4, unshielded, THT, IP68, UL, VDE, M16x1.5, front fastened**
 Area **M12-T series 813**
 Part no. **09 0631 90 04**

Assembly instructions / Panel cut-out



Tightening moment

Metall housing/Plastic housing 1,25 Nm

| Thickness of wall Y (mm) | | |
|------------------------------------|------------------------------------|----------|
| Version | min (mm) | max (mm) |
| Fastened from rear | 2 | 3,5 |
| Front fastened | 2 | 4,5 |
| positioning possible ¹⁾ | 2 | 3,5 |
| Screw clamp | 2 | 3,5 |
| Thread M12 x 1 | 2 | 3,0 |
| Thread M14 x 1 ²⁾ | ³⁾ 1,5/ ⁴⁾ 2 | 6,5 |

Notes

- ¹⁾ Do not attach a chamfer
- ²⁾ Wall thickness:
use nut 38 5385 100 001 up to 1,5 mm,
>1,5 mm cut thread
- ³⁾ Nut
- ⁴⁾ Thread in wall of housing

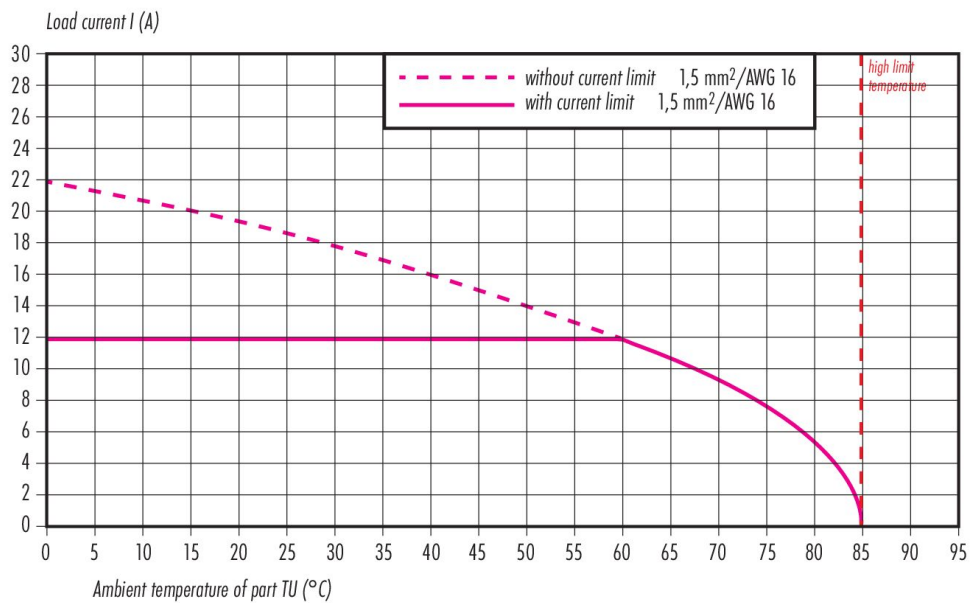
Product data sheet

Automation technology - Voltage and Power Supply



| | |
|---------------------|--|
| Product description | M12 Male panel mount connector, Contacts: 4, unshielded, THT, IP68, UL, VDE, M16x1.5, front fastened |
| - | - |
| Area | M12-T series 813 |
| Part no. | 09 0631 90 04 |

Derating curve



| | |
|---------------------|---|
| Product description | M12 Male panel mount connector, Contacts: 4, unshielded, THT, IP68, UL, VDE, M16x1.5, front fastened |
| - | - |
| Area | M12-T series 813 |
| Part no. | 09 0631 90 04 |

Security notices

The connectors have been developed for applications in plant engineering, control and electrical equipment construction. The user is responsible for checking whether the connectors can also be used in other areas of application.

Plug connectors with enclosure protection IP67 and IP68 are not suitable for use under water. When used outdoors, the plug connectors must be protected separately against corrosion. For further information on the IP protection classes, please refer to the "Technical Information" download centre.

X-ON Electronics

Largest Supplier of Electrical and Electronic Components

Click to view similar products for [Binder manufacturer](#):

Other Similar products are found below :

[01-0010-001](#) [01-0146-001](#) [01-0769-001](#) [01-1717-001](#) [02-0007-000](#) [02-0055-000](#) [02-0055-001](#) [02-1785-000](#) [04-0183-009](#) [04-0186-009](#) [04-0208-002](#) [07-0010-001](#) [07-0090-000](#) [08-0045-000-001](#) [08-0352-000-001](#) [08-0425-000-000](#) [08-0427-000-000](#) [08-0428-000-000](#) [08-0628-000-008](#) [08-1077-000-000](#) [08 1080 000 000](#) [08-1200-060-036](#) [08-1205-000-000](#) [08-2299-000-000](#) [08-2300-000-000](#) [08 2302 000 000](#) [08 2424 010 000](#) [08-2425-010-000](#) [08-2441-000-000](#) [08-2610-000-000](#) [08-2629-000-001](#) [08-2636-000-001](#) [08-2668-000-001](#) [08-2670-000-000](#) [08-2671-000-000](#) [08-2672-000-000](#) [08-2673-000-000](#) [08-2676-000-000](#) [08-2677-000-000](#) [08-2769-000-000](#) [08-2843-000-000](#) [08-2973-000-000](#) [08-3129-000-000](#) [09-0035-00-03](#) [09-0041-00-07](#) [09-0043-00-07](#) [09-0054-80-14](#) [09-0054-90-14](#) [09 0058 00 03](#) [09 0074 00 02](#)