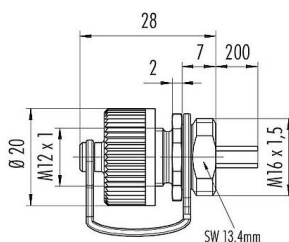


Product description	<b>M12 Male panel mount connector, Contacts: 4, unshielded, single wires, IP69K, M16x1.5, for outdoor applications</b>
Area	<b>M12-A series 763</b>
Part no.	<b>09 3431 284 04</b>

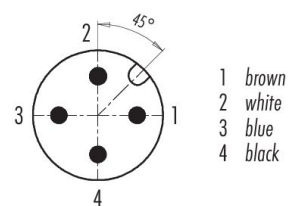
### Illustration



### Scale drawing



### Contact arrangement (Plug-in side)



You can find the assembly instructions on the next page.

## Technical data

### General features

Part no.	<b>09 3431 284 04</b>
Connector design	Male panel mount connector
Type standard	DIN EN 61076-2-101
Wire length	0.2 m (Standard 0.2 m. Other lengths are available on request).
Version	Connector pin straight
Connector locking system	screw
Termination	single wires
Degree of protection	IP69K IP68
Cross-sectional area	0.25 mm <sup>2</sup> / AWG 24
Temperature range from/to	-40 °C / 100 °C
Mechanical operation	> 100 Mating cycles
Weight (g)	16.00
Customs tariff number	85369010
Country of Origin	DE

### Electrical parameters

Rated voltage	250 V
Rated impulse voltage	2500 V
Rated current	4.0 A
Insulation resistance	> 10 <sup>10</sup> Ω
Pollution degree	3
Overvoltage category	II
Insulating material group	II
EMC compliance	unshielded

Product description	<b>M12 Male panel mount connector, Contacts: 4, unshielded, single wires, IP69K, M16x1.5, for outdoor applications</b>
-	-
Area	<b>M12-A series 763</b>
Part no.	<b>09 3431 284 04</b>

## Material

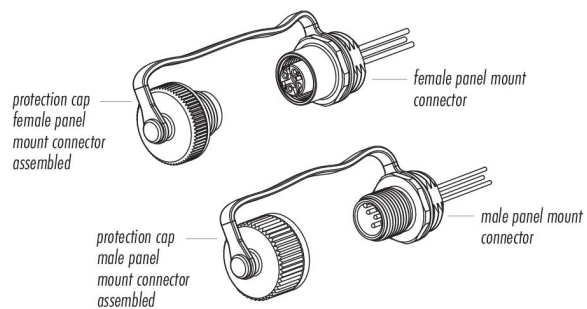
Housing material	Stainless steel
Contact body material	PA
Contact material	CuZn (brass)
Contact plating	Au (gold)
REACH SVHC	CAS 7439-92-1 (Lead)
SCIP number	ebb5a894-b868-4521-ae6e-529dbe02b2d9

## Classifications

ETIM 9.0	EC003569
----------	----------

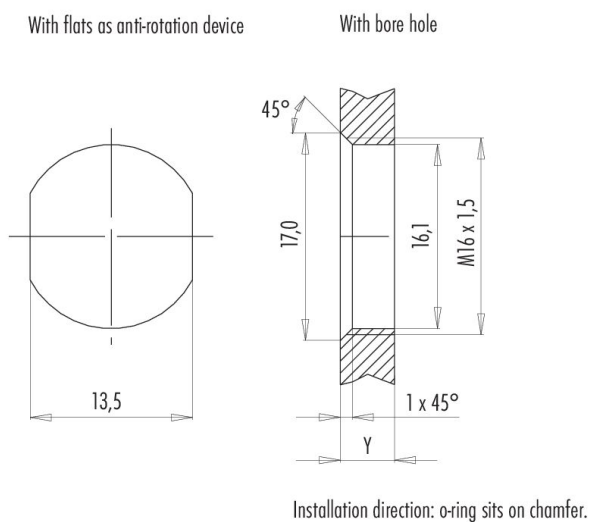
## Assembly instructions

1. Fasten panel mount connector in panel cut out.
2. If a mating connector is not used, mount the protection cap.



Product description **M12 Male panel mount connector, Contacts: 4, unshielded, single wires, IP69K, M16x1.5, for outdoor applications**  
 -  
 Area **M12-A series 763**  
 Part no. **09 3431 284 04**

### Assembly instructions / Panel cut-out



### Tightening moment

Metall housing/Plastic housing 1,25 Nm

Thickness of wall Y (mm)		
Version	min (mm)	max (mm)
Fastened from rear	2	3,5
Front fastened	2	4,5
positioning possible <sup>1)</sup>	2	3,5
Screw clamp	2	3,5
Thread M12 x 1	2	3,0
Thread M14 x 1 <sup>2)</sup>	<sup>3)</sup> 1,5/ <sup>4)</sup> 2	6,5

### Notes

- <sup>1)</sup> Do not attach a chamfer
- <sup>2)</sup> Wall thickness:  
use nut 38 5385 100 001 up to 1,5 mm,  
>1,5 mm cut thread
- <sup>3)</sup> Nut
- <sup>4)</sup> Thread in wall of housing

Product description	<b>M12 Male panel mount connector, Contacts: 4, unshielded, single wires, IP69K, M16x1.5, for outdoor applications</b>
-	-
Area	<b>M12-A series 763</b>
Part no.	<b>09 3431 284 04</b>

### Security notices

The connector must not be plugged or unplugged under load. Non-observance and improper use can result in personal injury.

The connectors have been developed for applications in plant engineering, control and electrical equipment construction. The user is responsible for checking whether the connectors can also be used in other areas of application.

The user must take suitable safety precautions to ensure that the connector cannot be accidentally disconnected.

Plug connectors with enclosure protection IP67 and IP68 are not suitable for use under water. For further information on the IP protection classes, please refer to the "Technical Information" download centre.

## X-ON Electronics

Largest Supplier of Electrical and Electronic Components

*Click to view similar products for [Binder manufacturer](#):*

Other Similar products are found below :

[01-0010-001](#) [01-0146-001](#) [01-0769-001](#) [01-1717-001](#) [02-0007-000](#) [02-0055-000](#) [02-0055-001](#) [02-1785-000](#) [04-0183-009](#) [04-0186-009](#) [04-0208-002](#) [07-0010-001](#) [07-0090-000](#) [08-0045-000-001](#) [08-0352-000-001](#) [08-0425-000-000](#) [08-0427-000-000](#) [08-0428-000-000](#) [08-0628-000-008](#) [08-1077-000-000](#) [08 1080 000 000](#) [08-1200-060-036](#) [08-1205-000-000](#) [08-2299-000-000](#) [08-2300-000-000](#) [08 2302 000 000](#) [08 2424 010 000](#) [08-2425-010-000](#) [08-2441-000-000](#) [08-2610-000-000](#) [08-2629-000-001](#) [08-2636-000-001](#) [08-2668-000-001](#) [08-2670-000-000](#) [08-2671-000-000](#) [08-2672-000-000](#) [08-2673-000-000](#) [08-2676-000-000](#) [08-2677-000-000](#) [08-2769-000-000](#) [08-2843-000-000](#) [08-2973-000-000](#) [08-3129-000-000](#) [09-0035-00-03](#) [09-0041-00-07](#) [09-0043-00-07](#) [09-0054-80-14](#) [09-0054-90-14](#) [09 0058 00 03](#) [09 0074 00 02](#)