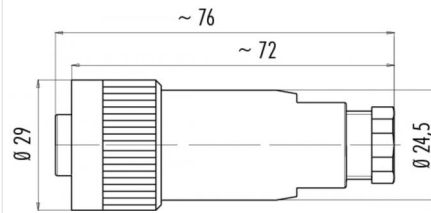


Product description **Contacts: 3+PE, female cable connector, PG 9, screw**
Area **RD24 Power Series 692/693**
Order number **99 0210 00 04**

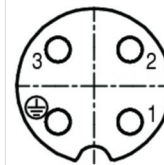
Illustration



Scale drawing

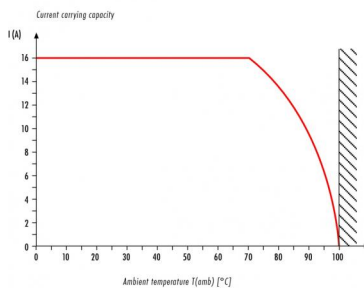


Contact arrangement



	X	Y
1	3,18	-3,18
2	3,18	3,18
3	-3,18	3,18
PE	-3,18	-3,18

Derating curve



You can find the component part drawing and assembly instructions on the next page.

Technical data

General values

Connector design female cable connector
Connector locking system bolted
Termination screw clamp
Wire gauge (mm) max. 2.50 mm²
Wire gauge (AWG) max. 14
Cable outlet 6,0 - 9,5 mm
Upper limit temperature 100 °C
Lower limit temperature -40 °C
Customs tariff number 85369010

Electrical values

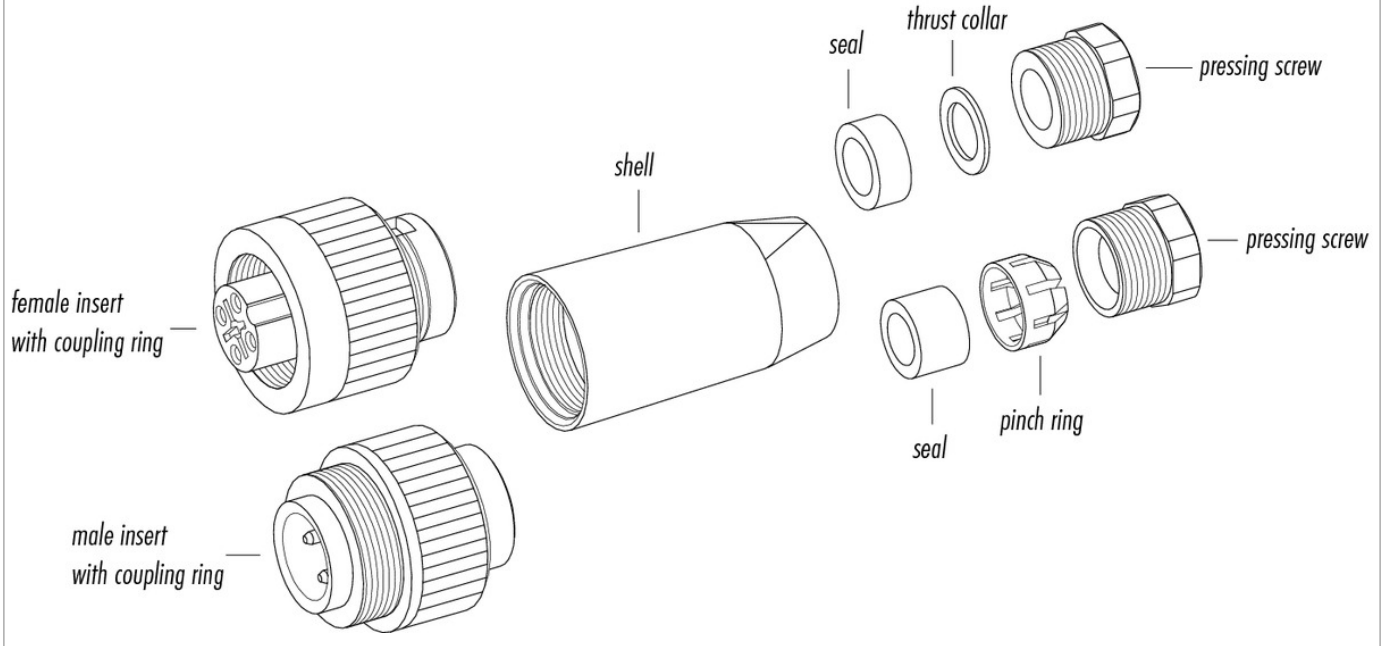
Rated current (40 °C) 16 A
Rated voltage 400 V
Rated impulse voltage 6000 V
Pollution degree 3
Overvoltage category III
Insulating material group III
Volume resistivity ≤ 5 mΩ
Insulation resistance ≥ 10¹⁰Ω
EMC compliance Shielding is not possible
Degree of protection IP67
Degree of protection 2 IP65 with cable diameter 6-7 mm
Mechanical operation IP65 with cable diameter 6-7 mm
> 500 Mating cycles

Material

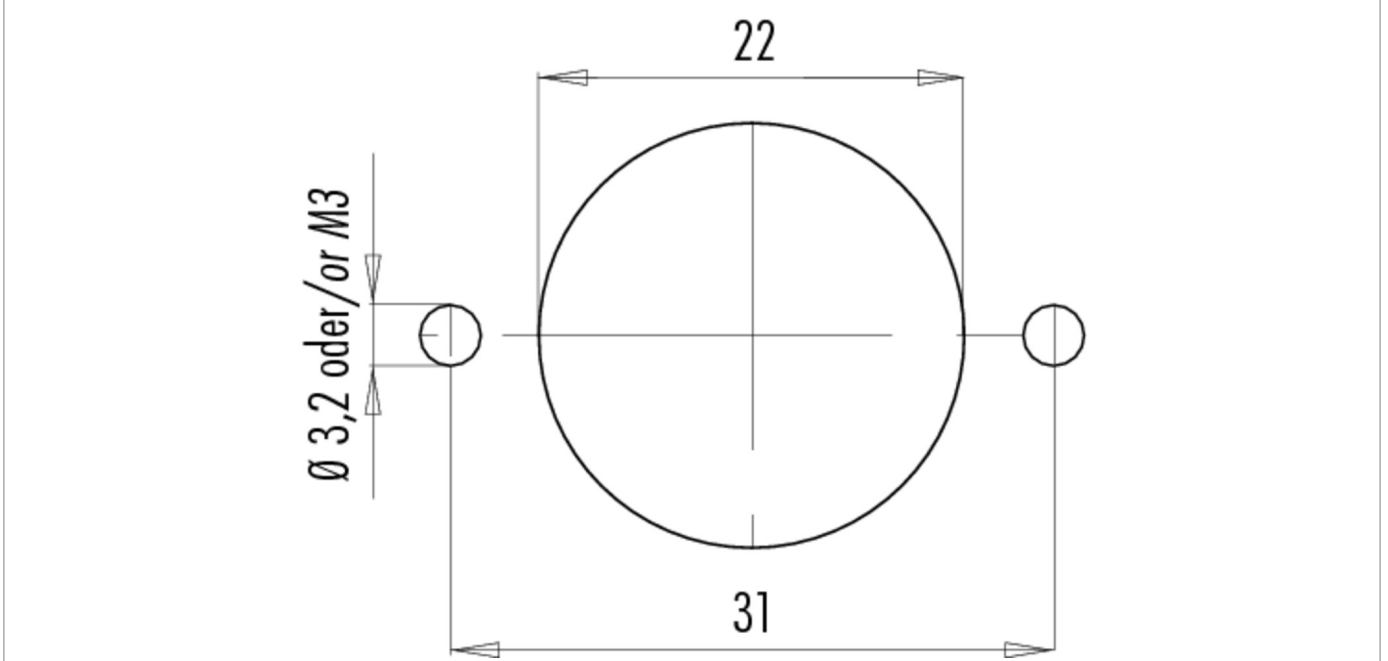
Contact material CuZn (brass)
Contact plating Ag (silver)
Contact body material PBT (UL 94 V-0)

Product description **Contacts: 3+PE, female cable connector, PG 9, screw**
Area **RD24 Power Series 692/693**
Order number **99 0210 00 04**

Component part drawing



Assembly instructions / Panel cut-out



Product description	Contacts: 3+PE, female cable connector, PG 9, screw
Area	RD24 Power Series 692/693
Order number	99 0210 00 04

Security notices

The connector must not be connected or separated under load. Non-observance and incorrect use can result in personal injury.

The connectors are designed for use in plant, control system and electrical equipment. The end user is responsible for checking whether the connectors are suitable for use in other applications.

To prevent the connector being opened unintentionally when used in electrical circuits containing hazardous life parts, the thread between the housing and the connector head must be secured using a suitable cyanoacrylate adhesive. This does not apply to connectors used in SELV and PELV circuits according to IEC 61140 (EN 61140, VDE 0140-1).

Connectors used in electrical circuits containing hazardous life parts must only be assembled and used by or under the supervision of persons with the requisite electrotechnical training, taking the applicable regulations and standards into account.

The end user must take suitable safety measures to ensure that the connector cannot be disconnected accidentally. Connectors with degree of protection IP 67 and IP 68 are not suitable for use under water. When used outdoors, the connectors must be separately protected against corrosion. For further information about IP degrees of protection refer to 'Technical support' in the Download Centre.

To lock the cable connector to the equipment connector, the threaded ring is tightened until it is 'finger-tight' (approx. 50 cNm).

X-ON Electronics

Largest Supplier of Electrical and Electronic Components

Click to view similar products for [Unspecified Connectors](#) category:

Click to view products by [Binder](#) manufacturer:

Other Similar products are found below :

[1-21107-1](#) [RAD-OUT-8D-REL](#) [RF-17S1N8A80DU](#) [2-21053-5](#) [PSC-28-1](#) [38111](#) [403000A10M050](#) [1-1589688-1](#) [QUINT-PS/1AC/48DC/10](#)
[99 9113 02 05](#) [578302](#) [578286](#) [130623](#) [186316](#) [153253](#) [186328](#) [153276](#) [153341](#) [153322](#) [153354](#) [193951](#) [130642](#) [1713941](#) [HC-DD72-I-](#)
[CT-F](#) [VC-AR1/2M-S88-SET](#) [RC-5AS2000](#) [RC-Z2068](#) [VC-TR5/6M](#) [RAD-900-CONF-RF1](#) [RAD-CON-SMA-N-SS](#) [RAD-ISM-900-ANT-](#)
[OMNI-0-6](#) [RAD-PIG-EF316-N-RSMA](#) [RIF-0-RPT-12DC/21](#) [RIF-1-BPT/2X21](#) [RIF-1-RPT-LV-120AC/2X21AU](#) [RIF-RH-1](#) [SIM-AMSC1](#)
[PV-FT-C2F-HSG](#) [HC-EVO-B06-HHFS-2B-PL-BK](#) [99 0210 00 04](#) [801377](#) [803579](#) [710-00007](#) [122.005-6](#) [122.012-10](#) [122.018-10](#) [122.038-6](#)
[125.038-8](#) [135.016](#) [136.0804](#)