

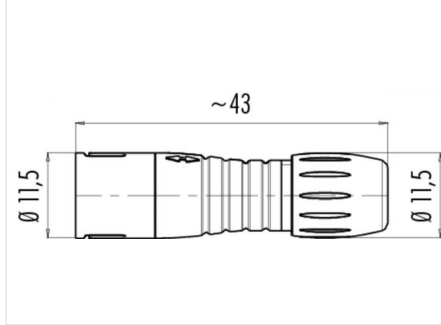
Product description **Contacts: 8, cable plug connector**

Area **Snap-in IP67 Series 620**  
Order number **99 9225 00 08**

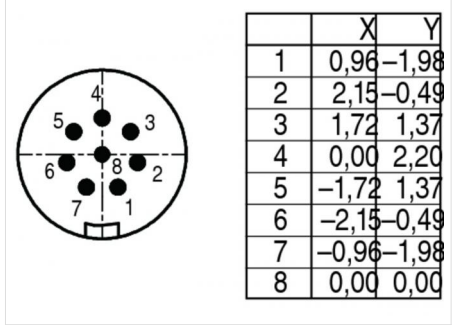
### Illustration



### Scale drawing



### Contact arrangement



You can find the component part drawing on the next page.

## Technical data

### General values

Connector design cable connector  
Connector locking system snap  
Termination löten  
Wire gauge (mm) 0,25 mm<sup>2</sup>  
Wire gauge (AWG) 24  
Cable outlet 3,0 - 5,0 mm  
Upper limit temperature 85 °C  
Lower limit temperature -25 °C

### Electrical values

Rated voltage 63 V  
Rated impulse voltage 800 V  
Pollution degree 2  
Overvoltage category II  
Insulating material group II  
Rated current (40 °C) 1 A  
Volume resistivity ≤ 3 mΩ  
EMC compliance Shielding is not possible  
Degree of protection IP67  
Mechanical operation > 500 Mating cycles

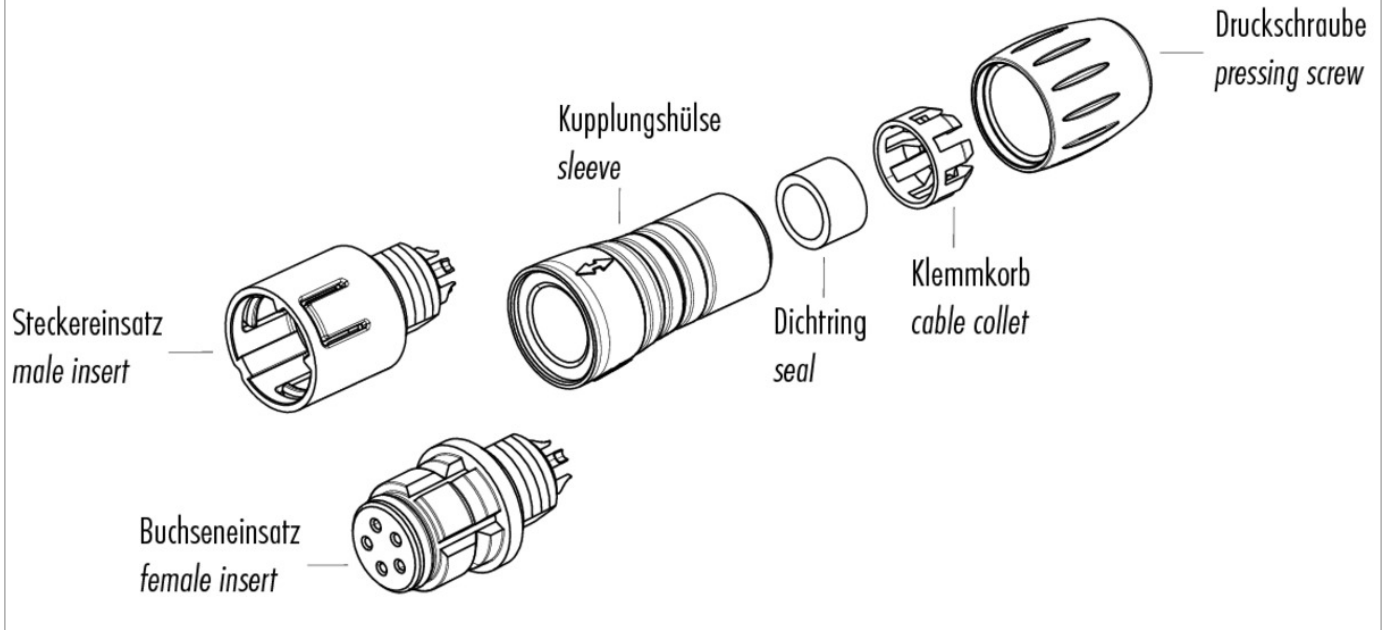
### Material

Contact material CuZn (brass)  
Contact plating Au (gold)  
Contact body material PA (UL 94 V-0)

Product description **Contacts: 8, cable plug connector**

Area **Snap-in IP67 Series 620**  
Order number **99 9225 00 08**

### Component part drawing



Product description      **Contacts: 8, cable plug connector**

Area                              **Snap-in IP67 Series 620**  
Order number                **99 9225 00 08**

## Sicherheitshinweise

The connectors are designed for use in plant, control system and electrical equipment. The end user is responsible for checking whether the connectors are suitable for use in other applications. Connectors with degree of protection IP 67 and IP 68 are not suitable for use under water. When used outdoors, the connectors must be separately protected against corrosion. For further information about IP degrees of protection refer to 'Technical support' in the Download Centre.

## X-ON Electronics

Largest Supplier of Electrical and Electronic Components

*Click to view similar products for [binder manufacturer](#):*

Other Similar products are found below :

[16-8085-001](#) [16-8100-000](#) [16-8090-000](#) [16-8093-000](#) [09 0330 00 12](#) [09 0153 70 08](#) [09 0301 00 02](#) [09 0305 00 03](#) [09 0337 00 16](#) [09 0477 00 07](#) [09 9478 00 07](#) [66-0004-001](#) [99-9125-60-08](#) [99-9106-60-03](#) [99 0079 100 04](#) [79-3108-52-04](#) [79-3110-52-04](#) [66-0003-001](#) [99-3782-200-08](#) [61-0903-139](#) [09 5283 00 03](#) [09-0316-702-05](#) [66-0005-000](#) [02-0055-001](#) [09-5288-00-08](#) [09-0104-300-02](#) [09-0110-25-04](#) [09-0112-782-04](#) [09-0173-300-08](#) [09-0312-290-04](#) [09-9477-00-07](#) [99-4218-300-07](#) [09-3442-92-05](#) [99-0437-186-05](#) [99-0218-210-07](#) [43-1706-000-04](#) [08-2809-000-000](#) [99-9205-050-03](#) [99-0201-00-07](#) [09-0312-09-04](#) [99-0610-02-04](#) [09-0319-80-05](#) [99-9206-050-03](#) [09-0073-20-02](#) [09-0081-20-04](#) [09-0322-92-06](#) [99-2026-20-07](#) [43-1714-133-03](#) [99-0143-12-06](#) [99-0142-12-05](#)