

DC 12038-03



SIZE :

120x120x38mm (4.72"x4.72"x1.50")

CONSTRUCTION :

- Die-cast aluminum housing
- Glass fiber reinforced plastic: Impeller are UL 94V-0 rating

OPERATING TEMPERATURE :

Ball bearing - 30°C to +75°C

Sleeve bearing - 10°C to +70°C

INSULATION RESISTANCE :

10meg Ohm min. at 500 VDC
(between frame and terminal)

DIELECTRIC STRENGTH :

5mA max. at 500 VAC 60Hz one minute
(between frame and terminal)

FUNCTION :

frequency generator or rotation detection signal option
relay control option

WEIGHT :

420 grams

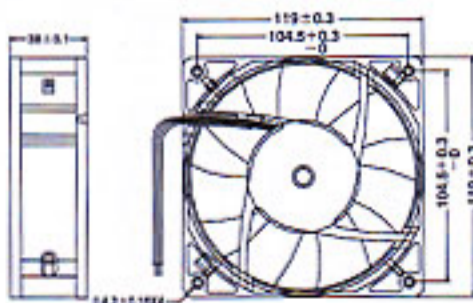


Specifications

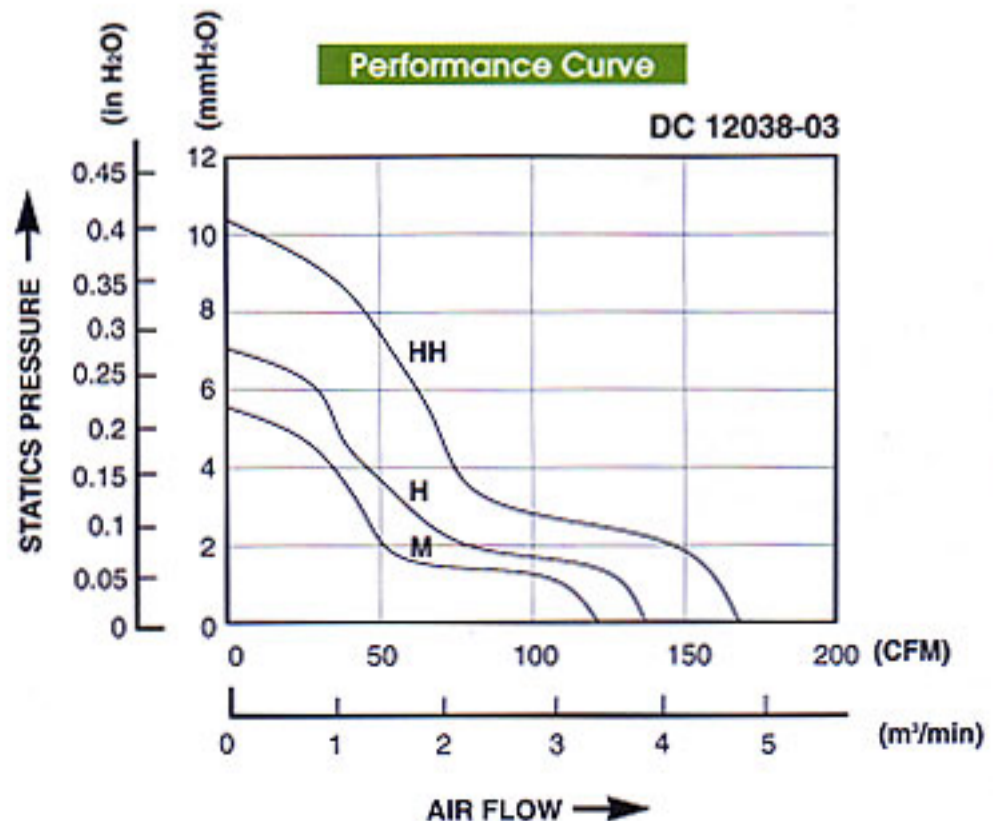
Specifications are subject to change without notice

MODEL NO.	BEARING	RATED VOLTAGE	OPERATING VOLTAGE RANGE	RATED CURRENT	RATED INPUT POWER	SPEED R.P.M.	MAX. AIR FLOW		MAX. AIR PRESSURE		NOISE dB-A
		VDC	V	A	W		m ³ /min	CFM	mmH ₂ O	IN H ₂ O	
BP1203812M-03	Ball	12	10.2-13.8	1.00	12.00	2400	3.43	121.00	5.60	0.22	46
SP1203812M-03	Sleeve										
BP1203824M-03	Ball	24	20.4-27.6	0.60	14.40	2400	3.43	121.00	5.60	0.22	46
SP1203824M-03	Sleeve										
BP1203848M-03	Ball	48	40.8-55.2	0.18	8.64	2400	3.43	121.00	5.60	0.22	46
SP1203848M-03	Sleeve										
BP1203812H-03	Ball	12	10.2-13.8	1.10	13.20	2900	4.11	145.00	7.30	0.29	48
SP1203812H-03	Sleeve										
BP1203824H-03	Ball	24	20.4-27.6	0.80	19.20	2900	4.11	145.00	7.30	0.29	48
SP1203824H-03	Sleeve										
BP1203848H-03	Ball	48	40.8-55.2	0.40	19.20	2900	4.11	145.00	7.30	0.29	48
SP1203848H-03	Sleeve										
BP1203812HH-03	Ball	12	10.2-13.8	1.80	21.60	3400	4.76	168.00	10.81	0.43	50
SP1203812HH-03	Sleeve										
BP1203824HH-03	Ball	24	20.4-27.6	1.10	26.40	3400	4.76	168.00	10.81	0.43	50
SP1203824HH-03	Sleeve										
BP1203848HH-03	Ball	48	40.8-55.2	0.50	24.00	3400	4.76	168.00	10.81	0.43	50
SP1203848HH-03	Sleeve										

Dimensions (mm)



Performance Curve



X-ON Electronics

Largest Supplier of Electrical and Electronic Components

Click to view similar products for [bi-sonic manufacturer](#):

Other Similar products are found below :

[9P-230LS-T](#) [SP802524L-03](#) [BP602512HH-03-W](#) [8P-230LS-T](#) [4C-230HB-T](#) [BP1202524M-W](#) [BP501012M-W](#) [8P-230HB-T](#) [BP1203824H-03-W](#) [8P-230HS-W](#) [BP601012M-W](#) [BP1202524H-W](#) [BP802512H-03-W](#) [4E-230S-17-T](#) [4C-230HB-W](#) [BP1202512H-W](#) [12P-230HB-T](#) [BP922524H-W](#) [SP802512H-03-W](#) [BP402012H-W](#) [SP402012M-W](#) [BP401005H-W](#) [BP401012M-W](#) [BP402024H-W](#) [BP802524HL-03](#) [BP402024M-W](#) [BP922524M-W](#) [5E-230B-W](#) [SP802524H-03-W](#) [5E-DVB-1-W](#) [BP602524H-03-W](#)