

# DC 5010



**SIZE :**

50x50x10mm (1.97"x1.97"x0.39")

**CONSTRUCTION :**

Glass fiber reinforced plastic:

Impeller and housing PBT are UL 94V-0 rating

**OPERATING TEMPERATURE :**

Ball bearing - 30°C to +75°C

Sleeve bearing - 10°C to +70°C

**INSULATION RESISTANCE :**

10meg Ohm min. at 500 VDC

(between frame and terminal)

**DIELECTRIC STRENGTH :**

5mA max. at 500 VAC 60Hz one minute

(between frame and terminal)

**FUNCTION :**

frequency generator signal option

**WEIGHT :**

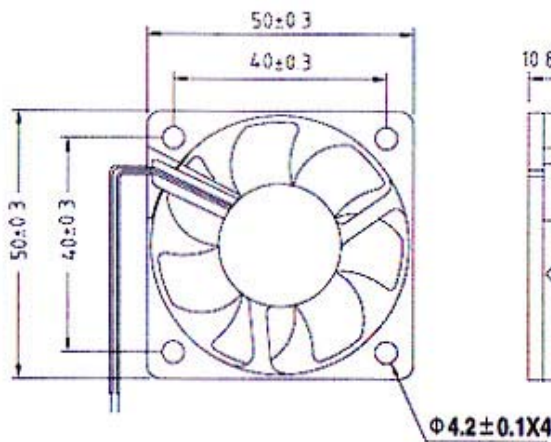
20 grams

## Specifications

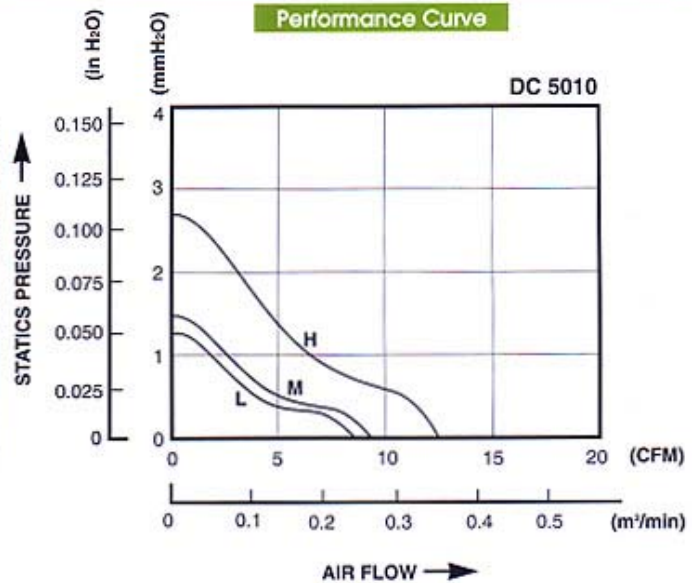
Specifications are subject to change without notice

MODEL NO.	BEARING	RATED VOLTAGE	OPERATING VOLTAGE RANGE	RATED CURRENT	RATED INPUT POWER	SPEED R.P.M.	MAX. AIR FLOW		MAX. AIR PRESSURE		NOISE dB-A
		VDC	V	A	W		m <sup>3</sup> /min	CFM	mmH <sub>2</sub> O	IN H <sub>2</sub> O	
BP501012L	Ball	12	10.2-13.8	0.07	0.84	3500	0.212	7.49	1.20	0.047	20
SP501012L	Sleeve										
BS501012L	Ball & Sleeve										
BP501012M	Ball	12	10.2-13.8	0.10	1.20	4000	0.249	8.79	1.46	0.057	29
SP501012M	Sleeve										
BS501012M	Ball & Sleeve										
BP501012H	Ball	12	10.2-13.8	0.16	1.92	5500	0.345	12.21	2.54	0.099	32
SP501012H	Sleeve										
BS501012H	Ball & Sleeve										

### Dimensions (mm)



### Performance Curve



## **X-ON Electronics**

Largest Supplier of Electrical and Electronic Components

*Click to view similar products for [bi-sonic manufacturer](#):*

Other Similar products are found below :

[9P-230LS-T](#) [SP802524L-03](#) [BP602512HH-03-W](#) [8P-230LS-T](#) [4C-230HB-T](#) [BP1202524M-W](#) [BP501012M-W](#) [8P-230HB-T](#) [BP1203824H-03-W](#) [8P-230HS-W](#) [BP601012M-W](#) [BP1202524H-W](#) [BP802512H-03-W](#) [4E-230S-17-T](#) [4C-230HB-W](#) [BP1202512H-W](#) [12P-230HB-T](#) [BP922524H-W](#) [SP802512H-03-W](#) [BP402012H-W](#) [SP402012M-W](#) [BP401005H-W](#) [BP401012M-W](#) [BP402024H-W](#) [BP802524HL-03](#) [BP402024M-W](#) [BP922524M-W](#) [5E-230B-W](#) [SP802524H-03-W](#) [5E-DVB-1-W](#) [BP602524H-03-W](#)