

DEVELOPMENT BOARDS

BitScope Blade 19" Racks

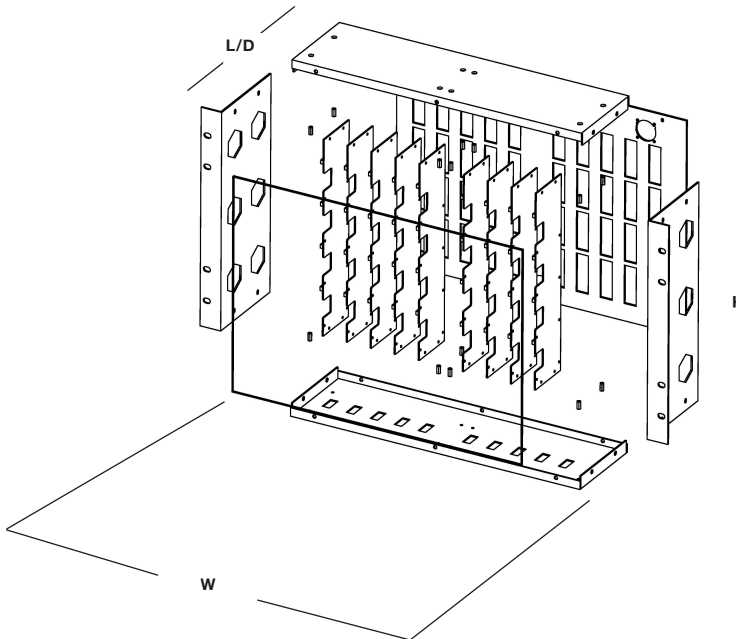
BitScope Blade Racks are designed to house the BitScope Blades (Duo and Quattro) and mount in standard 19" racks.

- Blade Rack 20 is 5U High and holds x10 Duo Pi (BB02) Blades and x20 Raspberry Pi Boards
- Blade Rack 40 is 7U High and holds x10 Quattro Pi (BB04) blades x40 Raspberry Pi boards
- The Blade Racks are manufactured in black powder coated steel with transparent acrylic front panel
- There are cable entries/exits in the top, bottom, rear and sides of the each blade rack
- Supplied flat-packed

TYPE. NO	DESCRIPTION	LENGTH / DEPTH	WIDTH	HEIGHT
CBBRACK20	Blade Rack 20	128mm	483mm	222mm
CBBRACK40	Blade Rack 40	128mm	483mm	311mm

SPECIFICATION	
Standard unit includes	X1 Acrylic front
	X1 Steel rear panel
	X2 Top/bottom plates
	X2 Sides
	Assembly hardware (excludes internal mounting hardware)

CBBRACK40



Blade Rack 40 (exploded view)

UNIVERSAL ENCLOSURES

HAND HELD CASES

HEAVY DUTY ENCLOSURES

DIN RAIL ENCLOSURES

INTERFACE SUPPORTS

ELECTRICAL ENCLOSURES

DIECAST & METAL ENCLOSURES

DESKTOP & INSTRUMENT CASES

MULTI-PURPOSE & POTTING BOXES

19" ENCLOSURES

19" CABINETS

DEVELOPMENT BOARD ENCLOSURES

CUSTOM SIZED ENCLOSURES

FSPT/ CUSTOM SERVICES



+44 (0)1638 716101
info@camdenboss.com
www.camdenboss.com

We operate a constant improvement policy, our products are subject to change without notice.

Ver 1



X-ON Electronics

Largest Supplier of Electrical and Electronic Components

Click to view similar products for [bitscope](#) manufacturer:

Other Similar products are found below :

[BS05P](#) [CBBRACK20](#) [CLP-02](#) [PRB-02](#) [CBBRACK40](#) [BS05U](#) [BB02B](#) [BB04B](#) [MP01A](#) [BB01B](#)