

# CUT-OUT COVERS™

## Connector Cut-Out Covers

- 20 Standard sizes and styles accommodate most industry standard connectors
- Fast, easy assembly with push-on stainless steel clips furnished with each cover
- Provides an attractive finished look to panels
- For use with CPCI, VME, Eurocard and other panels



### Mounting Information:

Attaches with provided stainless steel, push-on clips

### Material Specifications:

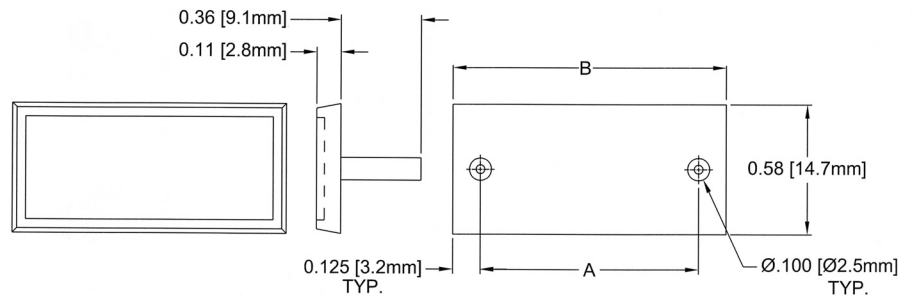
UL Rated 94V-0, Black, ABS  
 Oxygen Index: +28%  
 UL File #E121562

### Application Notes:

Cut-Out covers can be hot stamped and/or labeled for easy identification

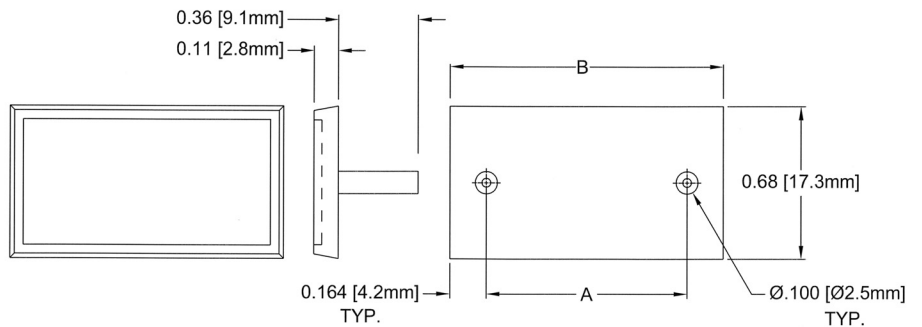
### Series 10

Part No.	A	B	Clip No.	Price Code
10-9	.984 (25.0)	1.23 (31.2)	SSC-1	BB
10-15	1.312 (33.3)	1.56 (39.6)	SSC-1	DD
10-25	1.852 (47.0)	2.10 (53.3)	SSC-1	FF
10-37	2.500 (63.5)	2.75 (69.9)	SSC-1	HH
10-50	2.406 (61.1)	2.66 (67.6)	SSC-1	JJ



### Series 12

Part No.	A	B	Clip No.	Price Code
12-14R	1.417 (36.0)	1.745 (44.3)	SSC-1	FF
12-24R	1.842 (46.8)	2.170 (55.1)	SSC-1	GG
12-36R	2.352 (59.7)	2.680 (68.1)	SSC-1	JJ
12-50R	2.947 (74.9)	3.275 (83.2)	SSC-1	KK
12-64R	3.542 (90.0)	3.875 (98.4)	SSC-1	MM



## X-ON Electronics

Largest Supplier of Electrical and Electronic Components

*Click to view similar products for [D-Sub Tools & Hardware](#) category:*

*Click to view products by [Bivar](#) manufacturer:*

Other Similar products are found below :

[000-01-09-132](#) [000-01-21-132](#) [000-01-31-162](#) [572019-00105-70](#) [000-01-37-162](#) [621-250-113-115](#) [D110550-2](#) [D20418-137](#) [D2041839](#) [780-518-50SG6-WS](#) [86552009](#) [86553115TLF](#) [86553117TLF](#) [1230032-1](#) [1-5021101-2](#) [1589283-4](#) [160-000-005R031](#) [16-000230](#) [160-025-004R031](#) [160-000-137R000](#) [160-020-209R000](#) [164C03939A](#) [177-505-A-2-2](#) [1-966830-8](#) [21018-6](#) [21028-2](#) [2-1393560-9](#) [JS-1000](#) [L17D204182M3E](#) [L17D53018](#) [300X10779X](#) [160X10189X](#) [160X10419X](#) [160X10959X](#) [162-000-050R000](#) [21018-5](#) [212561-3](#) [248C21550X](#) [CF15P](#) [QLOCKPOST-2](#) [D110277](#) [500-008NF1K-01](#) [500-008NF3R3KS-01](#) [500-017M09FN](#) [500-017M15MHN](#) [500-024M1](#) [500-068M3](#) [5-1393561-5](#) [C115373-0001](#) [C115373-0002](#)