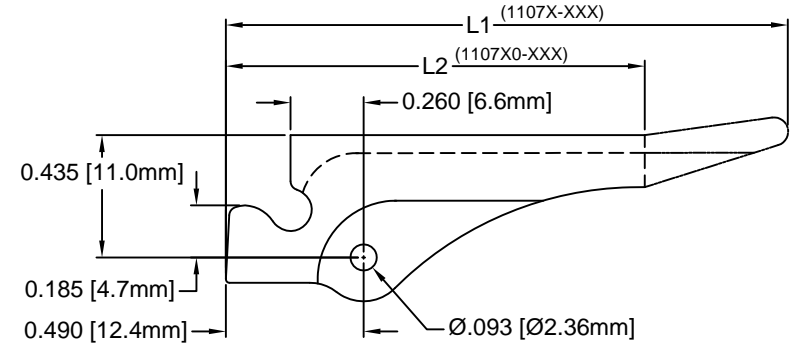
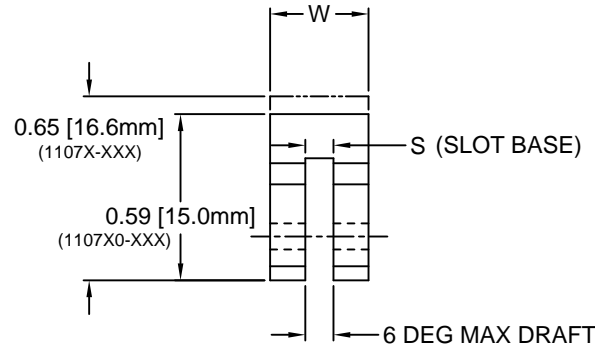
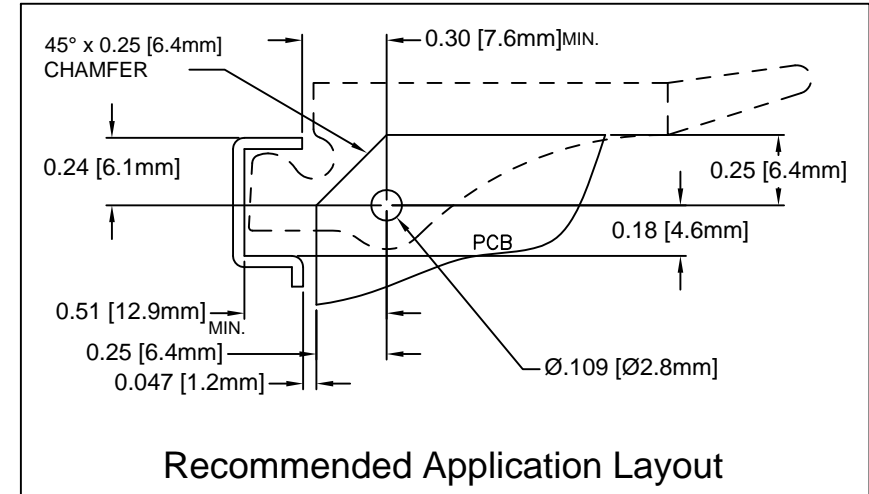


| REV. | DESCRIPTION | DATE | APPROVED |
|------|--|----------|----------|
| C | Engineering Update w/o Changes | 02/13/04 | M. C. |
| D | Updated S Dimension | 11/26/07 | M. C. |
| E | Updated 14-NL Material to 94V-0 | 09/11/12 | T. Y. |
| F | Added Notes 3, 4, 5 & Color Options Sheet #2 | 05/16/16 | J. C. |



| PART NO. | COLOR | S | W | L1 | L2 | PCB THICKNESS | ROLL PIN | DESC |
|----------------|----------|--------------|--------------|--------------|--------------|---------------|----------|----------|
| 1107-062 NT | NATURAL | .075 (1.9mm) | .290 (7.4mm) | 2.0 (50.8mm) | - | .062 (1.6mm) | RP-250 | 83023-09 |
| 1107-062 XX | SEE S.#2 | | | | | | | |
| 11073-062 NT | NATURAL | .075 (1.9mm) | .350 (8.9mm) | 2.0 (50.8mm) | - | .062 (1.6mm) | RP-312 | - |
| 11073-062 XX | SEE S.#2 | | | | | | | |
| 11073-093 NT | NATURAL | .100 (2.5mm) | .350 (8.9mm) | 2.0 (50.8mm) | - | .093 (2.4mm) | RP-312 | - |
| 11073-093 XX | SEE S.#2 | | | | | | | |
| 11073-125 NT | NATURAL | .140 (3.6mm) | .350 (8.9mm) | 2.0 (50.8mm) | - | .125 (3.2mm) | RP-312 | 83023-10 |
| 11073-125 XX | SEE S.#2 | | | | | | | |
| 110710-062 NT | NATURAL | .075 (1.9mm) | .290 (7.4mm) | - | 1.5 (38.1mm) | .062 (1.6mm) | RP-250 | 83023-11 |
| 110710-062 XX | SEE S.#2 | | | | | | | |
| 1107310-062 NT | NATURAL | .075 (1.9mm) | .350 (8.9mm) | - | 1.5 (38.1mm) | .062 (1.6mm) | RP-312 | - |
| 1107310-062 XX | SEE S.#2 | | | | | | | |
| 1107310-093 NT | NATURAL | .100 (2.5mm) | .350 (8.9mm) | - | 1.5 (38.1mm) | .093 (2.4mm) | RP-312 | - |
| 1107310-093 XX | SEE S.#2 | | | | | | | |
| 1107310-125 NT | NATURAL | .140 (3.6mm) | .350 (8.9mm) | - | 1.5 (38.1mm) | .125 (3.2mm) | RP-312 | - |
| 1107310-125 XX | SEE S.#2 | | | | | | | |



| STANDARD TOLERANCE (UNLESS OTHERWISE SPECIFIED) | | BIVAR® | |
|--|--------------------------|---|-----------------------|
| DECIMALS | ANGULAR | 4 THOMAS, IRVINE, CA. 92618 TEL: (949) 951-8808 FAX: (949) 951-3974 | |
| .X ± .1 | X° ± 1° | TITLE: PCB INSERTER/EXTRACTOR PART NO: 1107XXX-XXX XX REVISION: F | |
| .XX ± .01 | | | |
| .XXX ± .005 | | | |
| DESIGNED: D. Green | DATE: 04/16/03 | CAGE CODE : 32559 | SHEET # 1 OF 2 |
| CHECKED: M. Chen | DATE: 04/16/03 | CAD GENERATED DOCUMENT. DO NOT MEASURE DRAWING. | |

4. PRE-ASSEMBLED ROLL PINS AVAILABLE UPON REQUEST.
3. ROLL PINS INCLUDED. PACKAGED SEPARATELY.
2. MATERIAL: NYLON 6/6, 30% GLASS, 94V-0 NATURAL.
1. GENERAL SPECIFICATIONS: BIVAR MOLDED COMPONENT SPECIFICATION BV00-E101.


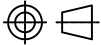
OTHER AVAILABLE COLORS
 * SEE TABLE FOR ORDERING INFORMATION

| REV. | DESCRIPTION | DATE | APPROVED |
|------|--------------|------|----------|
| | SEE SHEET #1 | | |
| | | | |
| | | | |
| | | | |

1 1 0 7 _ _ _ - _ _ _ _

| SERIES |
|-------------|
| 1107-062 |
| 11073-062 |
| 11073-093 |
| 11073-125 |
| 110710-062 |
| 1107310-062 |
| 1107310-093 |
| 1107310-125 |

| ORDER CODE | COLOR |
|------------|--------------|
| AA | AQUA |
| BK | BLACK |
| BE | BLUE |
| BN | BROWN |
| FG | FOREST GREEN |
| GY | GRAY |
| GN | GREEN |
| LE | LIME |
| OE | ORANGE |
| PK | PINK |
| RD | RED |
| VT | VIOLET |
| YW | YELLOW |

| | | | | |
|---|---------|---|----------------------------------|-----------------------------------|
| STANDARD TOLERANCE (UNLESS OTHERWISE SPECIFIED) | |  4 THOMAS, IRVINE, CA. 92618 TEL: (949) 951-8808 FAX: (949) 951-3974 | | |
| DECIMALS | ANGULAR | | | |
|  | | TITLE: PCB INSERTER/EXTRACTOR | | |
| | | DESIGNED: D. Green | DATE: 04/16/03 | PART NO: 1107XXX-XXX XX |
| CHECKED: M. Chen | | DATE: 04/16/03 | CAGE CODE : 32559 SHEET # 2 OF 2 | |
| CAD GENERATED DOCUMENT. DO NOT MEASURE DRAWING. | | | | |

5. PARTS ARE DYED TO COLOR UPON REQUEST.

X-ON Electronics

Largest Supplier of Electrical and Electronic Components

Click to view similar products for [Extraction, Removal & Insertion Tools](#) category:

Click to view products by [Bivar](#) manufacturer:

Other Similar products are found below :

[M8196914-08](#) [768211-2](#) [809-131](#) [844751-2](#) [8-59558-2](#) [91018-1](#) [12014013](#) [12093647](#) [1-21048-0](#) [R282867020](#) [12093078](#) [1-21048-6](#)
[12121897](#) [DCF.91.405.5LT](#) [1322](#) [15314260](#) [15350698](#) [15350707](#) [15430130](#) [1579018-4](#) [1643916-1](#) [1-679532-0](#) [1976593-3](#) [OUTEXT-0321](#)
[2-1579008-3](#) [2-1579008-4](#) [229694-7](#) [231106-1](#) [241469](#) [91040-3](#) [91040-7](#) [965004-000](#) [965069-000](#) [1738219-1](#) [ET-JL05-16](#) [FG 0300 146](#)
[3000](#) [FIT-6](#) [210S048](#) [2-1579007-9](#) [231879-1](#) [312138-3](#) [RJ11FODE](#) [356-162](#) [M8196914-10](#) [4-1579018-0](#) [430395-001](#) [483249-1](#) [5-](#)
[1579007-2](#) [5-1579007-9](#) [BPR10](#)