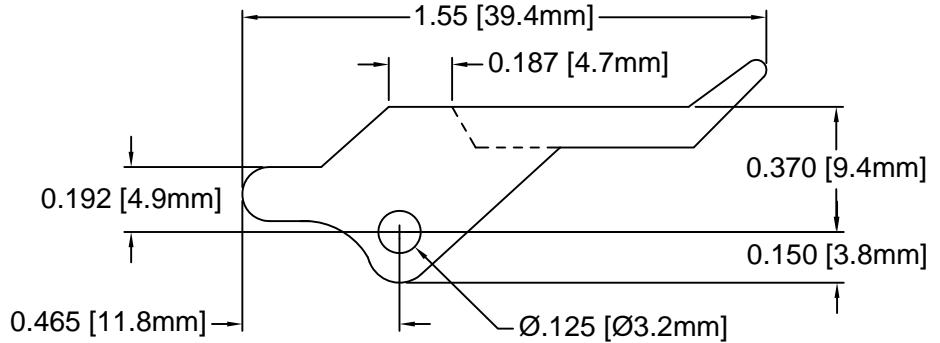
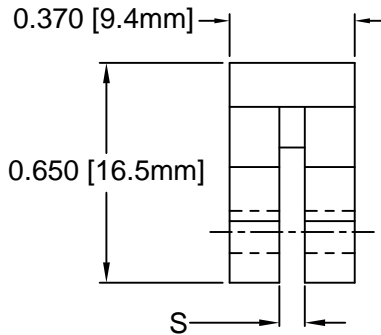
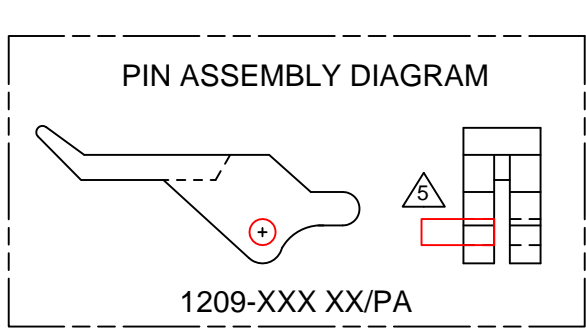
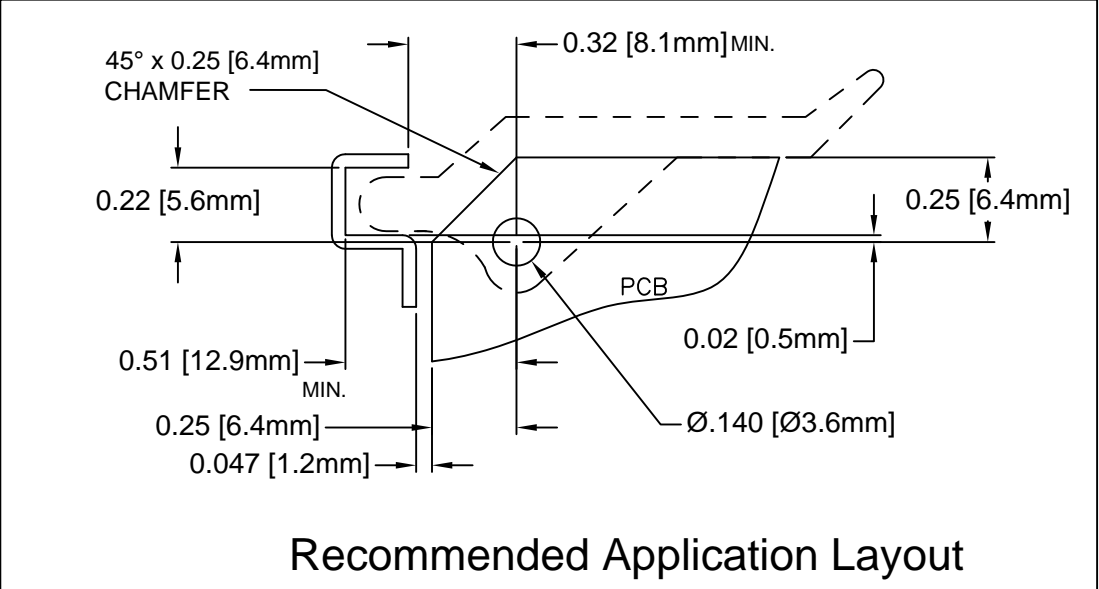


REV.	DESCRIPTION	DATE	APPROVED
D	Added Note 5 Pin Assembly	05/01/08	M. C.
E	Added /PA Diagram	05/14/09	T. Y.
F	Added 1209-093 WE	09/05/12	T. Y.
G	Removed Part From Part Offering List	09/29/15	J. C.
H	Added Note 4, 5, 6 & Color Options Sheet #2	05/16/16	J. C.



PART NO.	COLOR	ROLL PIN	S	PCB THICKNESS
1209-062 NT	NATURAL	RP-375	.075"(1.9mm)	.062"(1.6mm)
1209-062 WE	WHITE	RP-375		
1209-062 XX	SEE S.#2	RP-375		



Recommended Application Layout

5. PRE-ASSEMBLED ROLL PINS AVAILABLE UPON REQUEST. ADD /PA SUFFIX ON P/N. INSERT PIN INTO Ø.125" HOLE.
4. ROLL PINS INCLUDED. PACKAGED SEPARATELY.
 3. MATERIAL: NYLON 6/6, 94V-0, WHITE.
 2. MATERIAL: NYLON 6/6, 94V-2, NATURAL.
 1. GENERAL SPECIFICATIONS: BIVAR MOLDED COMPONENT SPECIFICATION BV00-E101.

STANDARD TOLERANCE (UNLESS OTHERWISE SPECIFIED)		BIVAR®	
DECIMALS	ANGULAR	4 THOMAS, IRVINE, CA. 92618 TEL: (949) 951-8808 FAX: (949) 951-3974	
.X ± .1	X° ± 1°	TITLE: PCB INSERTER/EXTRACTOR, CARD-O-PULL	
.XX ± .01		PART NO: 1209-XXX XX	
.XXX ± .005		REVISION: H	
DESIGNED: M. Chen	DATE: 02/24/03	CAGE CODE : 32559 SHEET # 1 OF 2	
CHECKED: D. Green	DATE: 02/25/03	CAD GENERATED DOCUMENT. DO NOT MEASURE DRAWING.	

OTHER AVAILABLE COLORS
 * SEE TABLE FOR ORDERING INFORMATION

REV.	DESCRIPTION	DATE	APPROVED
	SEE SHEET #1		



1209-062 --

 |

 SERIES

ORDER CODE	COLOR
AA	AQUA
BK	BLACK
BE	BLUE
BN	BROWN
FG	FOREST GREEN
GY	GRAY
GN	GREEN
LE	LIME
OE	ORANGE
PK	PINK
RD	RED
VT	VIOLET
YW	YELLOW

6. PARTS ARE DYED TO COLOR UPON REQUEST.

STANDARD TOLERANCE (UNLESS OTHERWISE SPECIFIED) DECIMALS ANGULAR		 4 THOMAS, IRVINE, CA. 92618 TEL: (949) 951-8808 FAX: (949) 951-3974	
			
DESIGNED: M. Chen	DATE: 02/24/03	TITLE: PCB INSERTER/EXTRACTOR, CARD-O-PULL	REVISION: H
CHECKED: D. Green	DATE: 02/25/03	PART NO: 1209-XXX XX	CAGE CODE : 32559 SHEET # 2 OF 2
CAD GENERATED DOCUMENT. DO NOT MEASURE DRAWING.			

X-ON Electronics

Largest Supplier of Electrical and Electronic Components

Click to view similar products for [Tool Kits & Cases](#) category:

Click to view products by [Bivar](#) manufacturer:

Other Similar products are found below :

[AM3310HLX23GXS](#) [229668-1](#) [217434-1](#) [QB-78K0RKE3L-TB](#) [4263](#) [1055420-1](#) [11-18-3023](#) [63860-8170](#) [856600-2](#) [11-40-3247](#) [63883-2870](#) [63866-1070](#) [63865-5170](#) [63863-5070](#) [63892-7370](#) [11-18-3209](#) [63860-4070](#) [63881-0970](#) [A0403641](#) [11-18-3040](#) [63865-2070](#) [63910-1470](#) [11-11-0387](#) [63850-7470](#) [11-18-3201](#) [63910-7570](#) [FM 0501 146](#) [63883-0670](#) [63830-0070](#) [63901-2670](#) [11-18-3147](#) [11-18-3079](#) [63883-2670](#) [63900-1770](#) [11-18-3190](#) [63851-1070](#) [63912-4770](#) [63911-5270](#) [63895-1070](#) [63860-1470](#) [63850-6070](#) [1-69411-3](#) [63852-9270](#) [63802-6270](#) [11-18-3202](#) [63852-9170](#) [63850-1070](#) [63830-0170](#) [11-18-3016](#) [63910-2870](#)