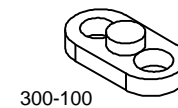
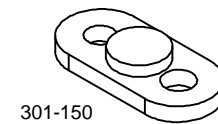
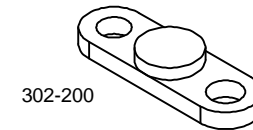
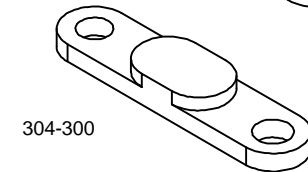
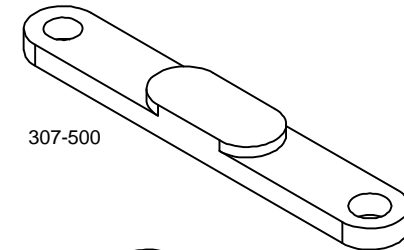
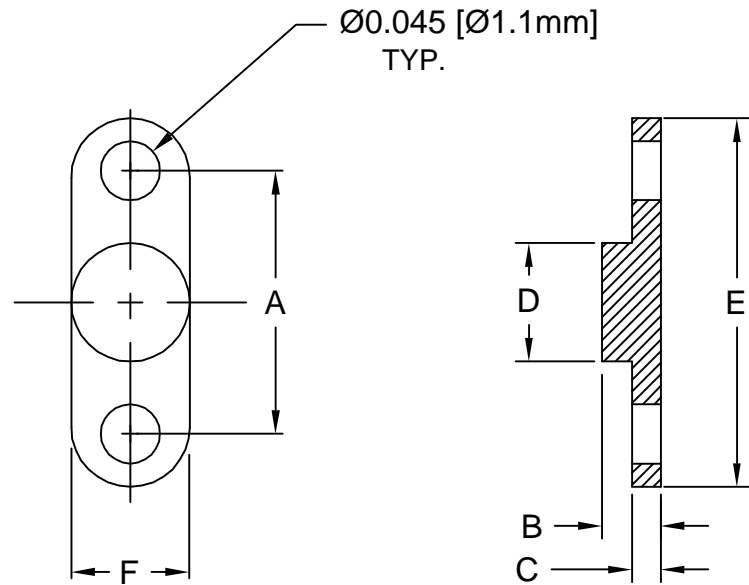


REV.	DESCRIPTION	DATE	APPROVED
A	Engineering Release.	03/07/03	M. C.
B	TYPO Correction.	03/14/03	M. C.
C	Release for Re-Tool.	11/10/03	M. C.
D	Release for Quotation.	02/19/04	M. C.
E	Production Release.	03/26/04	M. C.



PART NO.	A	B	C	D	E	F
300-100-022	.100 (2.5mm)	N.A.	.022 (.55mm)	N.A.	.180 (4.6mm)	.090 (2.3mm)
300-100-030		.030 (.76mm)	.011 (.28mm)	.050 (1.3mm)	.180 (4.6mm)	.090 (2.3mm)
300-100		.045 (1.1mm)	.022 (.55mm)	.050 (1.3mm)		
300-100-075		.075 (1.9mm)	.022 (.55mm)	.055 (1.4mm)		
301-150CS	.150 (3.8mm)	N.A.	.022 (.55mm)	N.A.	.270 (6.9mm)	.125 (3.2mm)
301-150-030		.030 (.76mm)	.011 (.28mm)	.090 (2.3mm)	.270 (6.9mm)	.125 (3.2mm)
301-150-040		.040 (1.0mm)	.022 (.55mm)			
301-150		.045 (1.1mm)	.022 (.55mm)			
301-150 MOD	.045 (1.1mm)	.022 (.55mm)	.090 (2.3mm)	.240 (6.1mm)	.090 (2.3mm)	
302-200-030	.200 (5.1mm)	.030 (.76mm)	.011 (.28mm)	.090 (2.3mm)	.290 (7.4mm)	.090 (2.3mm)
302-200-040		.040 (1.0mm)	.022 (.55mm)			
302-200		.045 (1.1mm)	.022 (.55mm)			
303-250	.250 (6.4mm)	.045 (1.1mm)	.026 (.66mm)	.090 (2.3mm)	.340 (8.6mm)	.090 (2.3mm)
304-300	.300 (7.5mm)	.045 (1.1mm)	.026 (.66mm)	.140 (3.6mm)	.390 (9.9mm)	
305-350	.350 (8.9mm)	.045 (1.1mm)	.030 (.76mm)	.140 (3.6mm)	.440 (11.2mm)	
306-400	.400 (10.2mm)	.045 (1.1mm)	.030 (.76mm)	.190 (4.8mm)	.490 (12.4mm)	
307-500	.500 (12.7mm)	.045 (1.1mm)	.030 (.76mm)	.190 (4.8mm)	.590 (15.0mm)	

2. MATERIAL: NYLON 6/6, 94V-2, NATURAL. BIVAR MATERIAL CODE 03-NL.
BASF ULTRAMID NYLON 6/6 A3K NATURAL.

1. GENERAL SPECIFICATIONS: BIVAR MOLDED COMPONENT SPECIFICATION BV00-E101.

STANDARD TOLERANCE (UNLESS OTHERWISE SPECIFIED)		 4 THOMAS, IRVINE, CA. 92618 TEL: (949) 951-8808 FAX: (949) 951-3974	
DECIMALS	ANGULAR		
.X ±.1	X° ±1°	TITLE: CAPACITOR MOUNT, 300 SERIES PART NO: 30X-XXX-XXX REVISION: E	
.XX ±.01			
.XXX ±.005			
DESIGNED: Michael Chen	DATE: 03/07/03	CAGE CODE: 32559	SHEET # 1 OF 1
CHECKED: D. Green	DATE: 03/07/03	CAD GENERATED DOCUMENT, DO NOT MEASURE DRAWING.	

X-ON Electronics

Largest Supplier of Electrical and Electronic Components

Click to view similar products for [Capacitor Hardware](#) category:

Click to view products by [Bivar](#) manufacturer:

Other Similar products are found below :

[B44020B0002B030](#) [B44020J0006B012](#) [B44020J0007B012](#) [B44030J0036B000](#) [SG12000P](#) [FN322-3-05](#) [300-100-075](#) [31762-87](#)

[B44020A0002B025](#) [B44030J0051B000](#) [B44030J0064B000](#) [B44030J0090B000](#) [31762-45](#) [340-400](#) [4586-48](#) [B44020B0001B025](#)

[B44030A0051B000](#) [B44030A0036B000](#) [2353](#) [2788](#) [124586-0026A](#) [B44030A0064B000](#) [2785](#) [2789](#) [307-500](#) [31762-132](#) [31762-51](#) [32107-3](#)

[4586-97A](#) [125562-03](#) [VR1B](#) [VR3B](#) [VR6B](#) [VR6A](#) [VR4](#) [VR10B](#) [TH17](#) [32108-2](#) [2740](#) [302-200](#) [32107-1](#) [32107-2](#) [VR8](#) [VR4A](#) [VR1A](#) [2738](#)

[125562-02](#) [3896](#) [MAL804324041E3](#) [MAL804324031E3](#)