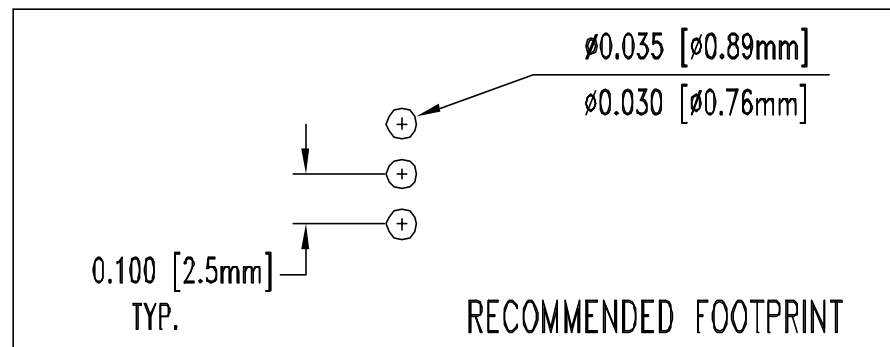
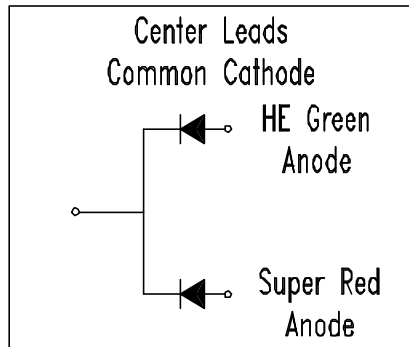
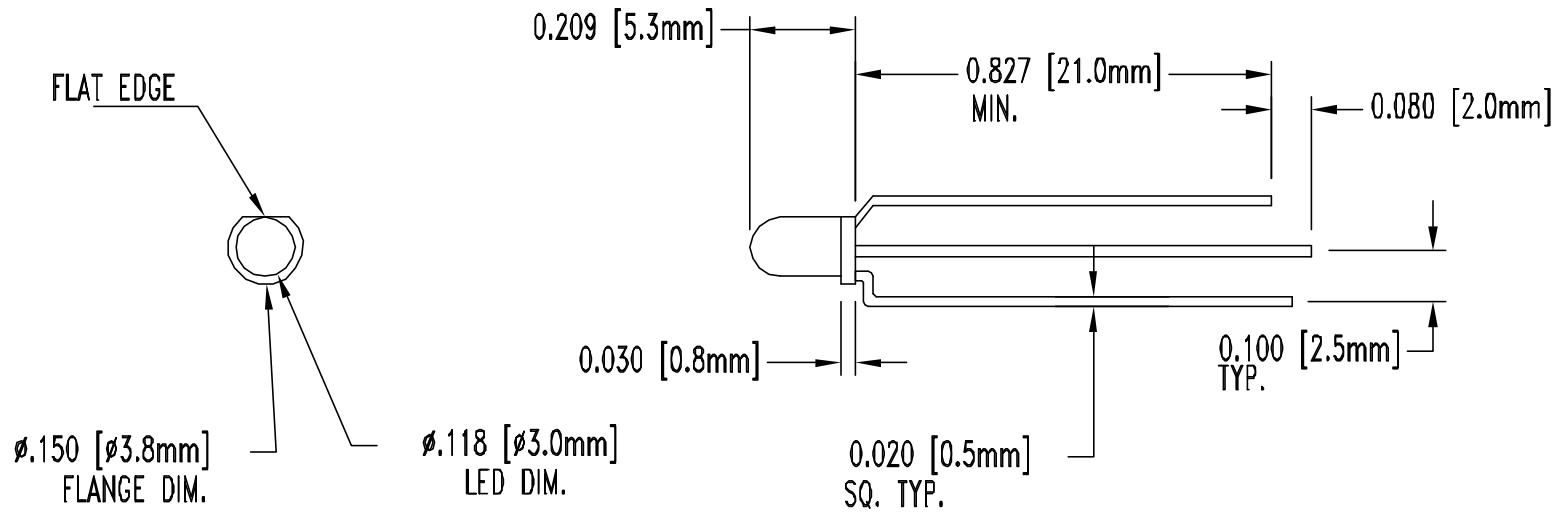


REV	DESCRIPTION	DATE	APPROVED
A	ENGINEERING RELEASE.	08/13/03	MC



LED Part No.	Chip			Lens Appearance	Absolute Maximum Ratings				Electro-Optical Data @20mA			Viewing Angle (deg)
	Material	Peak Wave λ P (nm)	Color		Δλ (nm)	Pd (mW)	Typ. If (mA)	Peak If (mA)	Vf (V)		Iv Typ. (mcd)	
3SBC-3-F	GaAlAs/GaAs	660	Super Red	WHITE DIFFUSED	20	60	30	150	Typ.	Max.	120.0	40
	GaP/GaP	568	HE Green		30	100	30	150	2.2	2.6	50.0	

### ABSOLUTE MAXIMUM RATINGS (Ta=25° C)

REVERSE VOLTAGE \_\_\_\_\_ 5V

REVERSE CURRENT \_\_\_\_\_ 100uA

OPERATING TEMPERATURE RANGE \_\_\_\_\_ -25° C - 85° C

STORAGE TEMPERATURE \_\_\_\_\_ -30° C - 100° C

LEAD SOLDERING TEMPERATURE(1/16" FROM BODY) \_\_\_\_\_ 260° C FOR 5 SECONDS

UNLESS OTHERWISE SPECIFIED:  
DIMENSIONS ARE IN INCHES

TOLERANCES

DECIMALS	ANGULAR
.X ± .1	X° ± 1°
.XX ± .01	
.XXX ± .005	

**Bivar®**

4 THOMAS, IRVINE, CA.92618  
TEL: (949) 961-8808 FAX: (949) 961-3974

PART NAME:  
T-1 (3mm) BI-COLOR/TRI-COLOR LED

DESIGNER DAVID GREEN	DATE 08/13/03	SIZE A	DWG. NO. 3SBC-3-F	REV A
CHECKER M CHEN	DATE 08/13/03	SCALE 1=1	CAGE CODE 32559	SHEET 1 OF 1

## X-ON Electronics

Largest Supplier of Electrical and Electronic Components

*Click to view similar products for [Standard LEDs - Through Hole category](#):*

*Click to view products by [Bivar manufacturer](#):*

Other Similar products are found below :

[LTL-10254W](#) [LTL-1214A](#) [LTL-1BEDJ](#) [LTL-2231AT](#) [LTL-3251A](#) [LTL-4262N](#) [LTL-5234](#) [LTL87HTBK](#) [LTL-87HD4B](#) [7383/V7C3-BSTA-L/PR3/MS](#) [HLMP-AG64-X10ZZ](#) [HLMP-EG1A-Z10DV](#) [HLMP-EL3B-WXKDD](#) [HLMP-HB74-UVBDD](#) [HLMP-HG65-VY0DD](#) [HLMP-HM74-34CDD](#) [HLMP-HM75-34CDD](#) [1L0532V23G0TD001](#) [NSPW500CS](#) [C4SMA-BGF-CQ34Q3C2](#) [L53GC13](#) [264-7SURTS530-A3](#) [L-C150JRCT](#) [S4SMS-BJF-CQ42QGF2](#) [S4SMS-GJF-CW12QMF2](#) [LD CQDP-1U3U-W5-1-K](#) [LO566UHR3-70G-A3](#) [SLA560WBD2PT3](#) [LP379PPG1C0G0300001](#) [SLR-322MCT32](#) [SLR-342DUT32](#) [SLR-342MC3F](#) [SLR343BC7TT32](#) [SLR343BCTT32](#) [SLX-LX3044GD](#) [SLX-LX3044ID](#) [SLX-LX3044YD](#) [1.90690.3330000](#) [SSL-LX20483ID](#) [SSL-LX3034YD](#) [SSL-LX5093LGT-11](#) [SSL-LX5093PGC](#) [SSL-LX5093SRC/F](#) [SSL-LX5093SYT](#) [SSL-LX509E3SIT](#) [SSL-LX509FT3ID](#) [SSL-LX50FT3GD](#) [SSS-LX4673ID-410B](#) [1L0532Y24I0TD001](#) [264-7SYGD/S530-E2](#)