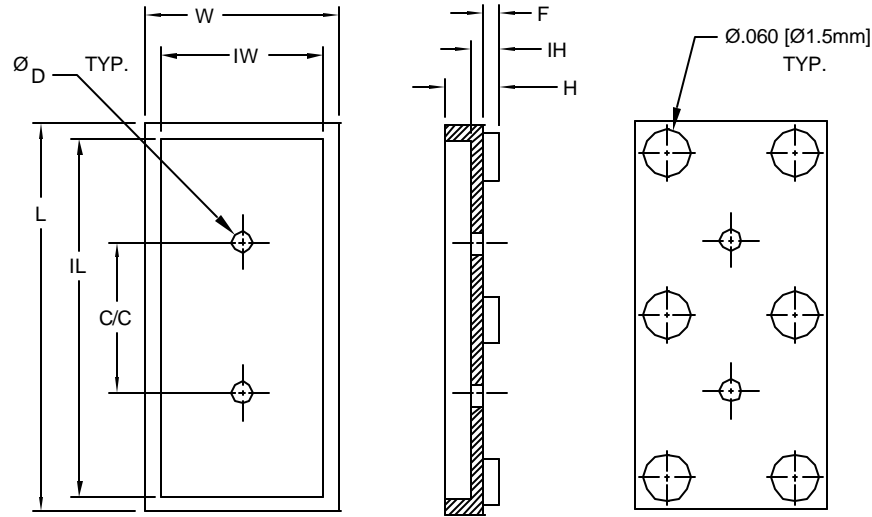


| REV. | DESCRIPTION | DATE | APPROVED |
|------|--------------------------------|----------|----------|
| B | Engineering Update w/o Changes | 02/23/04 | M. C. |
| C | Typo Correction | 04/06/05 | M. C. |
| | | | |
| | | | |



| PART NO. | L | IL | W | IW | C/C | D | IH | F | H |
|----------|---------------|---------------|---------------|--------------|---------------|--------------|--------------|--------------|--------------|
| 470-015 | .495 (12.6mm) | .455 (11.6mm) | .245 (6.2mm) | .205 (5.2mm) | .192 (4.9mm) | .028 (.71mm) | .015 (.38mm) | .000 (0.0mm) | .050 (1.3mm) |
| 470-025 | | | | | | | .025 (.64mm) | .010 (.25mm) | .060 (1.5mm) |
| 470-035 | | | | | | | .035 (.89mm) | .020 (.51mm) | .070 (1.8mm) |
| 470-045 | | | | | | | .045 (.71mm) | .030 (.76mm) | .080 (2.0mm) |
| 471-015 | .495 (12.6mm) | .455 (11.6mm) | .245 (6.2mm) | .205 (5.2mm) | .192 (4.9mm) | .050 (1.3mm) | .015 (.38mm) | .000 (0.0mm) | .050 (1.3mm) |
| 471-025 | | | | | | | .025 (.64mm) | .010 (.25mm) | .060 (1.5mm) |
| 471-035 | | | | | | | .035 (.89mm) | .020 (.51mm) | .070 (1.8mm) |
| 471-045 | | | | | | | .045 (.71mm) | .030 (.76mm) | .080 (2.0mm) |
| 472-015 | .825 (21.0mm) | .775 (19.7mm) | .425 (10.8mm) | .375 (9.5mm) | .486 (12.3mm) | .040 (1.0mm) | .015 (.38mm) | .000 (0.0mm) | .075 (1.9mm) |
| 472-025 | | | | | | | .025 (.64mm) | .010 (.25mm) | .085 (2.2mm) |
| 472-035 | | | | | | | .035 (.89mm) | .020 (.51mm) | .095 (2.4mm) |
| 472-045 | | | | | | | .045 (.71mm) | .030 (.76mm) | .105 (2.7mm) |
| 473-015 | .825 (21.0mm) | .775 (19.7mm) | .425 (10.8mm) | .375 (9.5mm) | .486 (12.3mm) | .060 (1.5mm) | .015 (.38mm) | .000 (0.0mm) | .075 (1.9mm) |
| 473-025 | | | | | | | .025 (.64mm) | .010 (.25mm) | .085 (2.2mm) |
| 473-035 | | | | | | | .035 (.89mm) | .020 (.51mm) | .095 (2.4mm) |
| 473-045 | | | | | | | .045 (.71mm) | .030 (.76mm) | .105 (2.7mm) |
| 474-015 | .825 (21.0mm) | .775 (19.7mm) | .425 (10.8mm) | .375 (9.5mm) | .486 (12.3mm) | .110 (2.8mm) | .015 (.38mm) | .000 (0.0mm) | .075 (1.9mm) |
| 474-025 | | | | | | | .025 (.64mm) | .010 (.25mm) | .085 (2.2mm) |
| 474-035 | | | | | | | .035 (.89mm) | .020 (.51mm) | .095 (2.4mm) |
| 474-045 | | | | | | | .045 (.71mm) | .030 (.76mm) | .105 (2.7mm) |

2. MATERIAL: NYLON 6/6, 94V-2, WHITE. BIVAR MATERIAL CODE 04-WE.
 BASF ULTRAMID NYLON 6/6 A3K WHITE.

1. GENERAL SPECIFICATIONS: BIVAR MOLDED COMPONENT SPECIFICATION BV00-E101.

| STANDARD TOLERANCE (UNLESS OTHERWISE SPECIFIED) | |
|--|---------|
| DECIMALS | ANGULAR |
| .X ± .1 | X° ± 1° |
| .XX ± .01 | |
| .XXX ± .005 | |



| | |
|----------------------------------|--------------------------|
| DESIGNED: Michael Chen | DATE: 03/10/03 |
| CHECKED: D. Green | DATE: 03/10/03 |

BIVAR[®]
 4 THOMAS, IRVINE, CA. 92618
 TEL: (949) 951-8808 FAX: (949) 951-3974

TITLE:
CRYSTAL MOUNT SERIES

| | |
|----------------------------|-----------------------|
| PART NO: 47X-XXX | REVISION: C |
| CAGE CODE : 32559 | SHEET # 1 OF 1 |

CAD GENERATED DOCUMENT. DO NOT MEASURE DRAWING.

X-ON Electronics

Largest Supplier of Electrical and Electronic Components

Click to view similar products for [Mounting Fixings](#) category:

Click to view products by [Bivar](#) manufacturer:

Other Similar products are found below :

[5912235-2](#) [007541](#) [627](#) [M3783-7001](#) [71-074914-006](#) [75-69211-3P](#) [75-69214-6P](#) [75-69220-27S](#) [75-69224-5S](#) [7717-8DAP](#) [85043GULPR](#)
[85047GULPT](#) [85048GBESR](#) [FPK-02-R10](#) [PMS27488-001-01](#) [1-18023-0](#) [H-118-2](#) [DB1](#) [1302030464](#) [DC37-22-21PX](#) [1302010957](#)
[1302263564](#) [1302340393](#) [1404-0016-78](#) [14540](#) [1561-60](#) [1566](#) [1566](#) [BR16A](#) [HS4737-2001 REV G](#) [HS5659MB98PN](#) [NT20SATT01](#)
[201C5058-01-201 REV E](#) [22594-8](#) [KBB-141](#) [89078GBEPR](#) [89078GBESR](#) [915060](#) [SF4011-60101](#) [97-CS-50](#) [1671](#) [1855-54](#) [T-2085-SP](#)
[20800240002](#) [21899-4](#) [2193](#) [2518](#) [25745-1](#) [H-118-1](#) [354467](#)