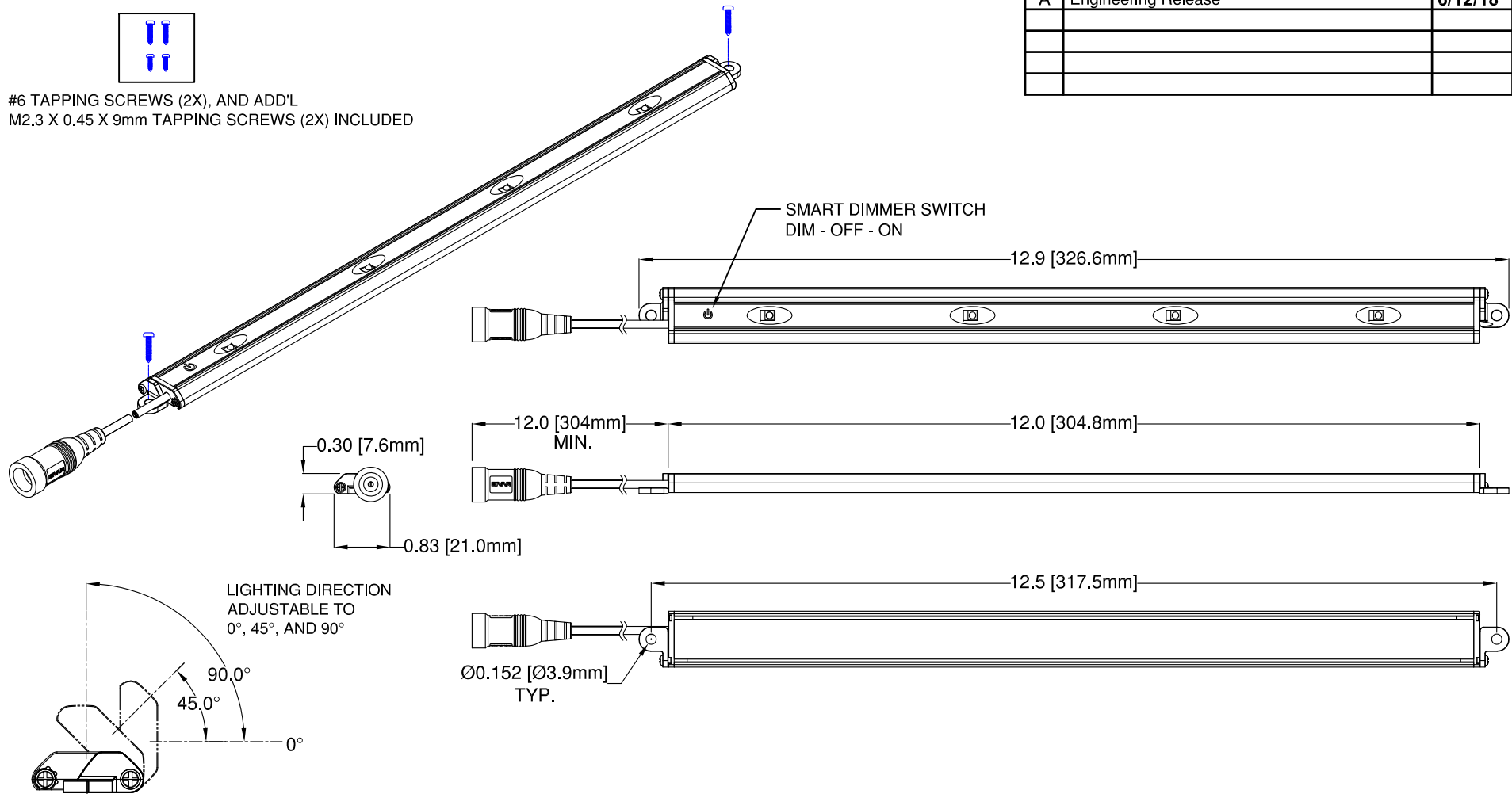


#6 TAPPING SCREWS (2X), AND ADD'L
M2.3 X 0.45 X 9mm TAPPING SCREWS (2X) INCLUDED



1. Power Input: 24VDC, Constant Voltage
2. Power Consumption: 5.0 Watts
3. White Color Temperature: 6500K Cool White
4. Output Projection: 120° FWHM
5. Luminous Output: 390 Lumens (155 Lumens when Dimmed)
6. Housing Color: Black
7. Operating Temperature: 0C ~ +40C
8. For Use in Dry Locations Only
9. Pre-set to "ON" When Initially Powered



Mating Connector:
5.5 x 2.1 x 11mm DC Plug

REV.	DESCRIPTION	DATE	APPROVED
A	Engineering Release	6/12/18	G.O.

STANDARD TOLERANCE (UNLESS OTHERWISE SPECIFIED)		 4 THOMAS, IRVINE, CA. 92618 TEL: (949) 951-8808 FAX: (949) 951-3974			
DECIMALS	ANGULAR				
.X ±.1	X° ± 1°	TITLE: BC5000 SERIES LIGHTING COOLWHITE			
.XX ±.02					
.XXX ±.010		DESIGNED: TD. NGUYEN	DATE: 6/11/18	PART NO: BC5000-C-S	REVISION: A
		REVISER: N/A	DATE: N/A	CAGE CODE: 32559	
		CHECKED: K. BARON	DATE: 6/12/18	SCALE: NONE	SHEET # 1 OF 1
CAD GENERATED DOCUMENT, DO NOT MEASURE DRAWING					

X-ON Electronics

Largest Supplier of Electrical and Electronic Components

Click to view similar products for [LED Lighting Fixtures](#) category:

Click to view products by [Bivar](#) manufacturer:

Other Similar products are found below :

[1301080067](#) [XVEC21P](#) [XVEC2B7](#) [113163000-00662717](#) [113472000-00691461](#) [XVBC2B3](#) [XVBC2B7](#) [XVBC4B4](#) [XVBC4B5](#) [XVBC4B6](#)
[XVBC4M3](#) [XVBC4M4](#) [XVBC4M5](#) [XVBC4M8](#) [XVBZ01](#) [XVBZ03A](#) [XVBZ04](#) [E35600](#) [FLK7LED](#) [XVBZ04A](#) [XVBC4M7](#) [XVBC4M6](#)
[XVBC4B3](#) [XVBC2B8](#) [2700127](#) [2702933](#) [2702477](#) [2403122](#) [2403121](#) [2402991](#) [89406068](#) [148-00076](#) [190007019-00014904](#) [226108019-](#)
[00610754](#) [4823](#) [4824](#) [4868](#) [112887037-00076065](#) [113021000-00564565](#) [113473000-00704968](#) [NB-RLAMP01](#) [112577000-00539774](#)
[113458000-00668976](#) [E35500](#) [408001403-00671626](#) [SL7/4-FW](#) [LML-6TER-CAB](#) [SL4-FMS-100](#) [SL4-FMS-400](#) [SL7-CB-400](#)