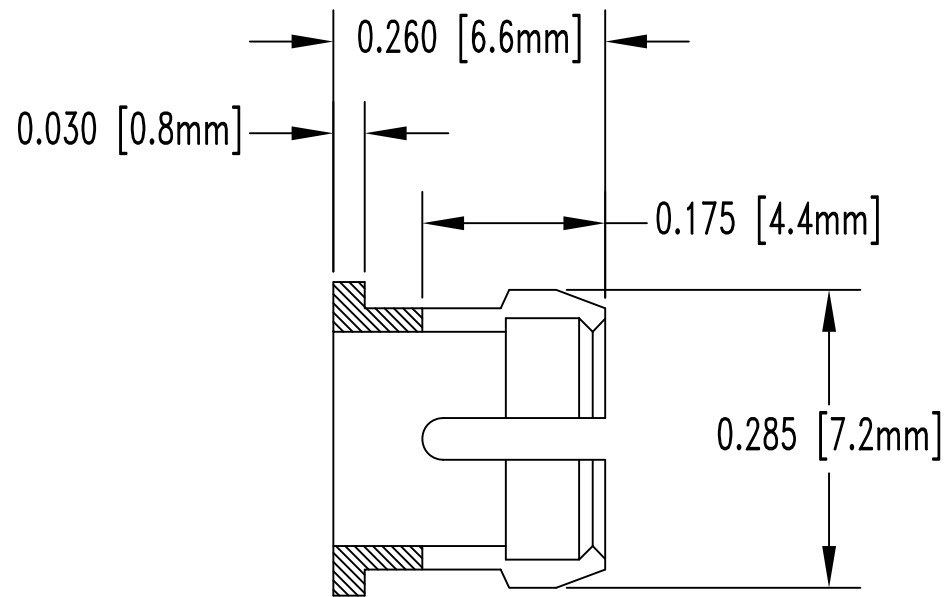
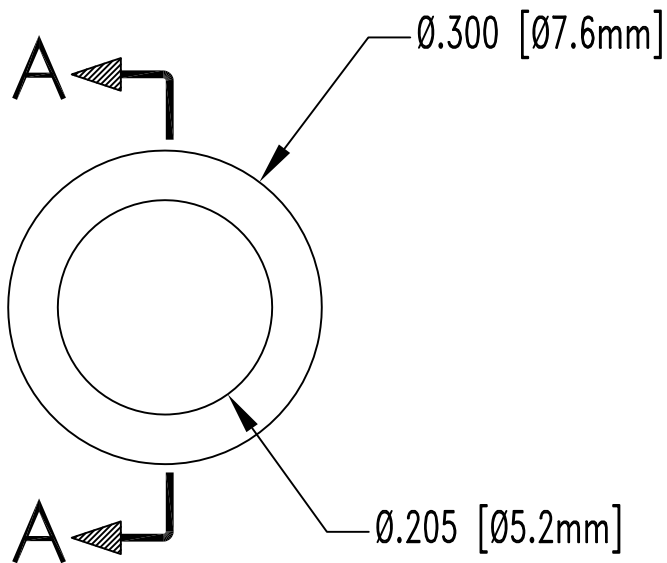


| REV | DESCRIPTION | DATE | APPROVED |
|-----|----------------------|----------|----------|
| A | ENGINEERING RELEASE. | 05/17/02 | M. C. |
| B | MATERIAL UPDATE. | 02/28/03 | M. C. |
| C | Update Part Name | 04/05/12 | T. Y. |



SECTION A-A

2. MATERIAL: NYLON 6/6, 94V-0, BLACK. (0% REGRIND ALLOWED)
RTP POLYAMIDE NYLON 6/6, RTP 0200 FR, BLACK, 94V-0, OR
MODIFIED PLASTICS MN6/6-SE BK, 94V-0, BIVAR MATERIAL CODE 22-BK.
1. GENERAL SPECIFICATIONS: BIVAR MOLDED COMPONENT SPECIFICATION BV00-E101.

| | | | | | | | | | | | |
|---|------------------|--|--|--------------|----------|---------|-----|---|--|-------|---|
| UNLESS OTHERWISE SPECIFIED: DIMENSIONS ARE IN INCHES | | Bivar [®] 4 THOMAS, IRVINE, CA.92618 TEL: (949) 951-8808 FAX: (949) 951-3074 | | | | | | | | | |
| TOLERANCES | | | | | | | | | | | |
| DECIMALS | ANGULAR | PART NAME: CLIP SNAP-IN MOUNTING FOR T1 3/4 (5mm) LEDs | | | | | | | | | |
| .X ± .1 | X° ± 1° | | | | | | | | | | |
| .XX ± .01 | | | | | | | | | | | |
| .XXX ± .005 | | | <table border="1"> <tr> <td>SIZE</td> <td>DWG NAME</td> <td>DWG NO.</td> <td>REV</td> </tr> <tr> <td>A</td> <td></td> <td>C-174</td> <td>C</td> </tr> </table> | SIZE | DWG NAME | DWG NO. | REV | A | | C-174 | C |
| SIZE | DWG NAME | DWG NO. | REV | | | | | | | | |
| A | | C-174 | C | | | | | | | | |
| DESIGNER SHANE IRVING | DATE 11/24/98 | SCALE 1=1 | CAGE CODE 32559 | SHEET 1 OF 1 | | | | | | | |
| CHECKER M CHEN | DATE 02/28/03 | | | | | | | | | | |

X-ON Electronics

Largest Supplier of Electrical and Electronic Components

Click to view similar products for [LED Mounting Hardware](#) category:

Click to view products by [Bivar](#) manufacturer:

Other Similar products are found below :

[00624250](#) [00624750](#) [M2200](#) [7047](#) [990-4901-010](#) [990-8115-001](#) [CMP22](#) [M16-T1](#) [C-101](#) [L2K-L4GD](#) [L2K-L5XL](#) [LDN51-125SL/BT](#)
[00624500](#) [7046](#) [7056](#) [SN3486](#) [26-0053](#) [TC4-R-](#) [SLQ16](#) [LM6-2](#) [LM12-1](#) [LM10-1](#) [CM00624375](#) [CM00624900](#) [RNG132](#) [FIX-LEDH-10.5](#)
[FIX-LEDH-11](#) [FIX-LEDH-11.5](#) [FIX-LEDH-12](#) [FIX-LEDH-14](#) [FIX-LEDH-17](#) [FIX-LEDH-18](#) [FIX-LEDH-4](#) [FIX-LEDH-4.5](#) [FIX-LEDH-7.5](#)
[FIX-LEDH-9.5](#) [FIX-LEDS-1.5](#) [FIX-LEDS-2](#) [FIX-LEDS-3.5](#) [FIX-LEDT-11](#) [FIX-LEDT-20](#) [FIX-LEDT-26](#) [FIX-LEDT-5](#) [FIX-LEDT-9](#)
[SQLEDS2-4-26](#) [7382](#) [CNXDX4624](#) [CNXDX4608](#) [CNXDF4608](#) [4740](#)