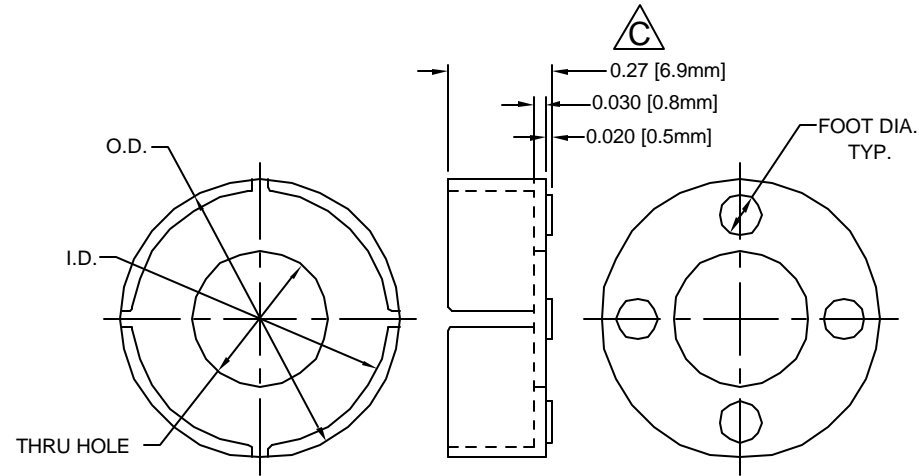


REV.	DESCRIPTION	DATE	APPROVED
B	Engineering Update w/o Changes	02/26/04	M. C.
C	Changed Dim. "0.275" to "0.27"	01/31/05	M. C.

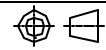


PART NO.	EC TYPE	I.D.	O.D.	THRU HOLE	FOOT DIA.
ECM-1	5	.227 (5.8mm)	.287 (7.3mm)	.125 (3.2mm)	.060 (1.5mm)
ECM-2	6-6.3	.273 (6.9mm)	.333 (8.5mm)	.150 (3.8mm)	.070 (1.8mm)
ECM-3	8	.345 (8.8mm)	.405 (10.3mm)	.225 (5.7mm)	.070 (1.8mm)
ECM-4	10	.424 (10.8mm)	.484 (12.3mm)	.250 (6.4mm)	.100 (2.5mm)
ECM-5	12.5-13	.542 (13.8mm)	.602 (15.3mm)	.350 (8.9mm)	.105 (2.7mm)
ECM-6	16	.660 (16.8mm)	.720 (18.3mm)	.350 (8.9mm)	.106 (2.7mm)
ECM-7	18	.738 (18.7mm)	.798 (20.3mm)	.350 (8.9mm)	.106 (2.7mm)

PART NO.	EC TYPE	I.D.	O.D.	THRU HOLE	FOOT DIA.
ECM-8	20	.817 (20.8mm)	.877 (22.3mm)	.441 (11.2mm)	.118 (3.0mm)
ECM-9	22	.896 (22.8mm)	.956 (24.3mm)	.449 (11.4mm)	.118 (3.0mm)
ECM-10	25	1.008 (25.6mm)	1.074 (27.3mm)	.547 (13.9mm)	.138 (3.5mm)
ECM-11	25.5	1.030 (26.2mm)	1.090 (27.7mm)	.547 (13.9mm)	.138 (3.5mm)
ECM-12	30	1.210 (30.5mm)	1.270 (32.3mm)	.645 (16.4mm)	.138 (3.5mm)
ECM-13	35	1.410 (35.8mm)	1.470 (37.3mm)	.645 (16.4mm)	.138 (3.5mm)

2. MATERIAL: NYLON 6/6, 94V-2, NATURAL. BIVAR MATERIAL CODE 03-NL.
 BASF ULTRAMID NYLON 6/6 A3K NATURAL.

1. GENERAL SPECIFICATIONS: BIVAR MOLDED COMPONENT SPECIFICATION BV00-E101.

STANDARD TOLERANCE (UNLESS OTHERWISE SPECIFIED)		BIVAR®	
DECIMALS	ANGULAR	4 THOMAS, IRVINE, CA. 92618 TEL: (949) 951-8808 FAX: (949) 951-3974	
.X ± .1	X° ± 1°	TITLE: ELECTROLYTIC CAPACITOR MOUNT	
.XX ± .01		DESIGNED: Shane Irving	DATE: 08/27/98
.XXX ± .005		CHECKED: M. Chen	DATE: 03/04/03
		PART NO: ECM-XX	REVISION: C
		CAGE CODE : 32559	SHEET # 1 OF 1
CAD GENERATED DOCUMENT. DO NOT MEASURE DRAWING.			

X-ON Electronics

Largest Supplier of Electrical and Electronic Components

Click to view similar products for [Capacitor Hardware](#) category:

Click to view products by [Bivar](#) manufacturer:

Other Similar products are found below :

[B44020B0002B030](#) [B44020J0006B012](#) [B44020J0007B012](#) [B44030J0036B000](#) [SG12000P](#) [FN322-3-05](#) [300-100-075](#) [31762-87](#)

[B44020A0002B025](#) [B44030J0051B000](#) [B44030J0064B000](#) [B44030J0090B000](#) [31762-45](#) [340-400](#) [4586-48](#) [B44020B0001B025](#)

[B44030A0051B000](#) [B44030A0036B000](#) [2353](#) [2788](#) [124586-0026A](#) [B44030A0064B000](#) [2785](#) [2789](#) [307-500](#) [31762-132](#) [31762-51](#) [32107-3](#)

[4586-97A](#) [125562-03](#) [VR1B](#) [VR3B](#) [VR6B](#) [VR6A](#) [VR4](#) [VR10B](#) [TH17](#) [32108-2](#) [2740](#) [302-200](#) [32107-1](#) [32107-2](#) [VR8](#) [VR4A](#) [VR1A](#) [2738](#)

[125562-02](#) [3896](#) [MAL804324041E3](#) [MAL804324031E3](#)