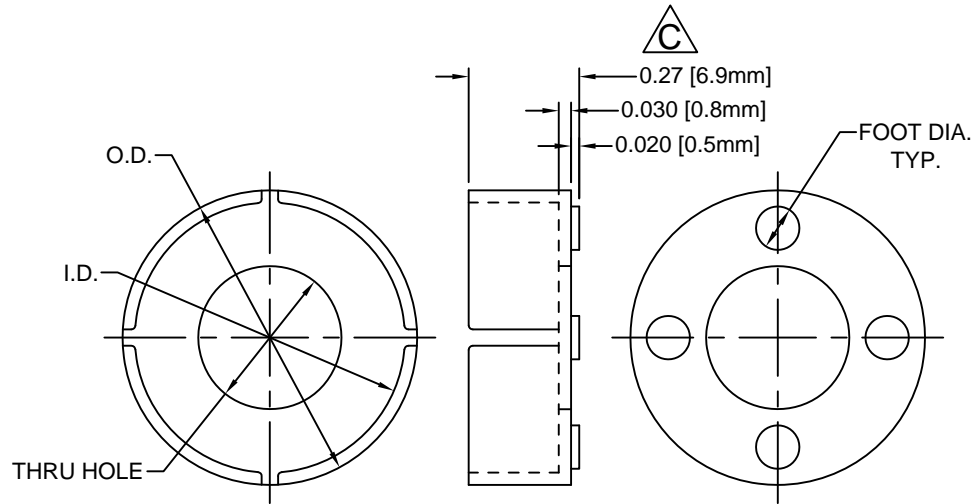



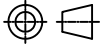
REV.	DESCRIPTION	DATE	APPROVED
B	Engineering Update w/o Changes	02/26/04	M. C.
C	Changed Dim. "0.275" to "0.27"	01/31/05	M. C.
D	Removed P/N ECM-2	07/16/14	J. C.
E	Removed Part From Part Offering List	09/29/15	J. C.
F	Removed Part From Part Offering List	11/20/15	J. C.



PART NO.	EC TYPE	I.D.	O.D.	THRU HOLE	FOOT DIA.
ECM-1	5	.227 (5.8mm)	.287 (7.3mm)	.125 (3.2mm)	.060 (1.5mm)
ECM-4	10	.424 (10.8mm)	.484 (12.3mm)	.250 (6.4mm)	.100 (2.5mm)
ECM-5	12.5-13	.542 (13.8mm)	.602 (15.3mm)	.350 (8.9mm)	.105 (2.7mm)
ECM-13	35	1.410 (35.8mm)	1.470 (37.3mm)	.645 (16.4mm)	.138 (3.5mm)

2. MATERIAL: NYLON 6/6, 94V-2, NATURAL.

1. GENERAL SPECIFICATIONS: BIVAR MOLDED COMPONENT SPECIFICATION BV00-E101.

STANDARD TOLERANCE (UNLESS OTHERWISE SPECIFIED)		 4 THOMAS, IRVINE, CA. 92618 TEL: (949) 951-8808 FAX: (949) 951-3974		
DECIMALS	ANGULAR			
.X ± .1	X° ± 1°		TITLE: ELECTROLYTIC CAPACITOR MOUNT	
.XX ± .01			PART NO: ECM-XX	REVISION: F
.XXX ± .005			CAGE CODE : 32559	SHEET # 1 OF 1
DESIGNED: S. Irving	DATE: 08/27/98	CHECKED: M. Chen	DATE: 03/04/03	CAD GENERATED DOCUMENT. DO NOT MEASURE DRAWING.

X-ON Electronics

Largest Supplier of Electrical and Electronic Components

Click to view similar products for [Capacitor Hardware](#) category:

Click to view products by [Bivar](#) manufacturer:

Other Similar products are found below :

[B44020B0002B030](#) [B44020J0006B012](#) [B44020J0007B012](#) [B44030J0036B000](#) [SG12000P](#) [FN322-3-05](#) [300-100-075](#) [31762-87](#)

[B44020A0002B025](#) [B44030J0051B000](#) [B44030J0064B000](#) [B44030J0090B000](#) [31762-45](#) [340-400](#) [4586-48](#) [B44020B0001B025](#)

[B44030A0051B000](#) [B44030A0036B000](#) [2353](#) [2788](#) [124586-0026A](#) [B44030A0064B000](#) [2785](#) [2789](#) [307-500](#) [31762-132](#) [31762-51](#) [32107-3](#)

[4586-97A](#) [125562-03](#) [VR1B](#) [VR3B](#) [VR6B](#) [VR6A](#) [VR4](#) [VR10B](#) [TH17](#) [32108-2](#) [2740](#) [302-200](#) [32107-1](#) [32107-2](#) [VR8](#) [VR4A](#) [VR1A](#) [2738](#)

[125562-02](#) [3896](#) [MAL804324041E3](#) [MAL804324031E3](#)