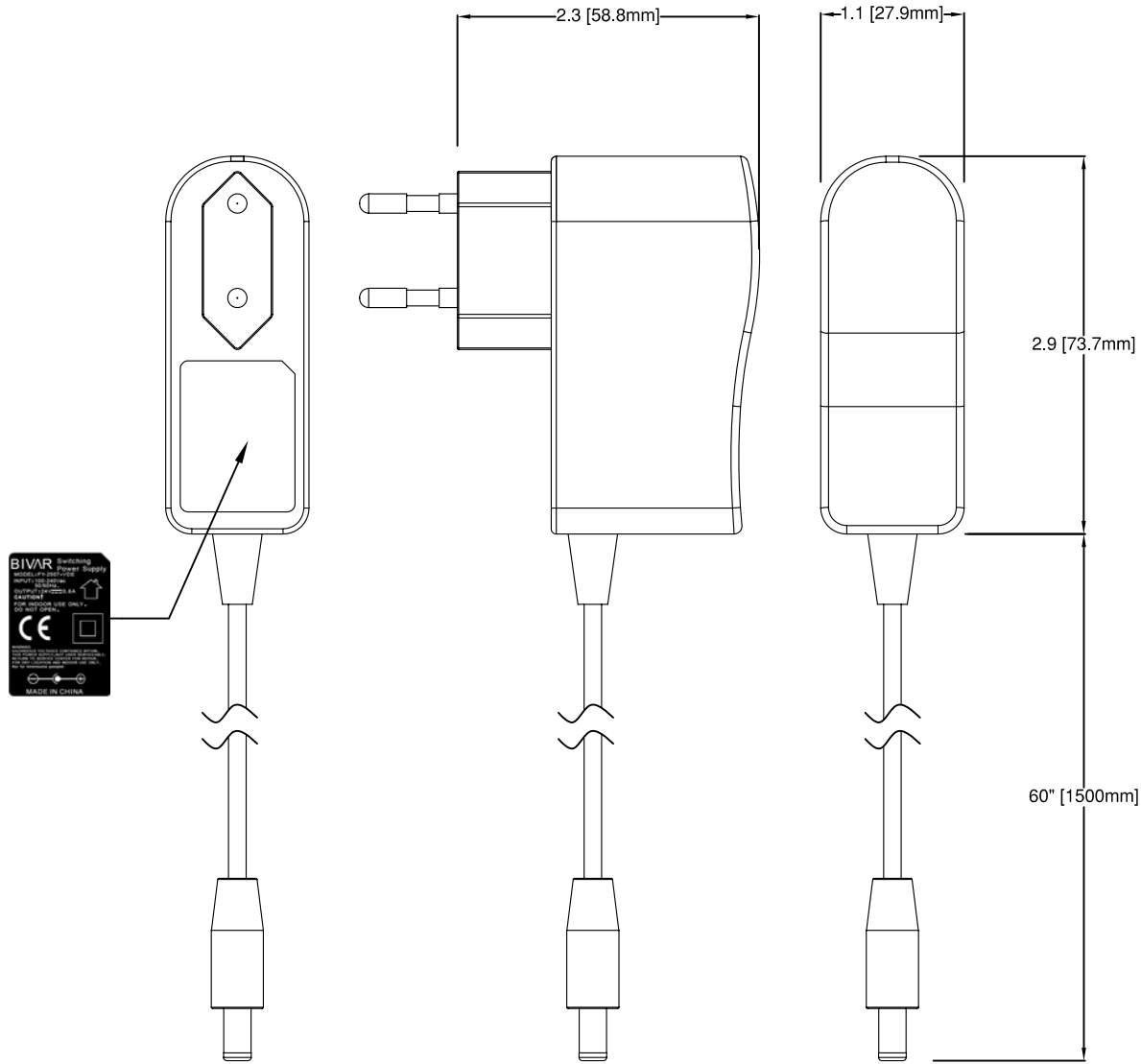


REV.	DESCRIPTION	DATE	APPROVED
A	Engineering Release.	04/30/07	M. C.
B	Initial Production Release.	08/01/07	M. C.
C	Updated Environmental Characteristics and PN	04/23/08	M. C.



ELECTRICAL CHARACTERISTICS

NO	ITEM	SPECIFICATIONS	CONDITION
1	INPUT	AC 90-264V	RATED AC 100-240V
2	FREQUENCY	47Hz-63Hz	RATED 50/60Hz
3	INRUSH CURRENT	30A MAX.	AC 240V, RATED LOAD 25°C COLD START
4	EFFICIENCY	80% TYP.	AC 220-240V, RATED LOAD
5	LEAKAGE CURRENT	0.50mA MAX.	AC240V/60Hz INPUT RATED LOAD
6	RATED OUTPUT	DC 24V	
7	RATED LOAD	0.60A	0.65A MAX.
8	LOAD/LINE REGULATION	24.0V±5% ,±1%	0A-0.60A
9	RIPPLE & NOISE VOLTAGE	100mVp-p	REFERENCE ITEM 9
10	OUTPUT SHORT PROTECTION	SHORT BE REMOVE NO DAMAGE	SHORT TIME 10 MINUTES MAX.
11	OVER VOLTAGE PROTECTION	ZENER SHORT PROTECTION	20 mA load AC120V/60Hz INPUT, RATED LOAD
12	HOLD UP TIME	10mS TYP.	
13	STAND BY POWER	0.30W TYP.	AC 230V INPUT, NO LOAD
14	LASTING CURRENT REGULATION	±30mA	

ENVIRONMENTAL CHARACTERISTICS

	TEMPERATURE RANGE	HUMIDITY RANGE
OPERATION	0°C ~ +45°C	10 ~ 90% RH
STORAGE	-20°C ~ +70°C	5 ~ 90% RH

STANDARD TOLERANCE (UNLESS OTHERWISE SPECIFIED)

DECIMALS	ANGULAR
.X ±.1	X° ± 1°
.XX ±.01	
.XXX ±.005	

BIVAR[®]

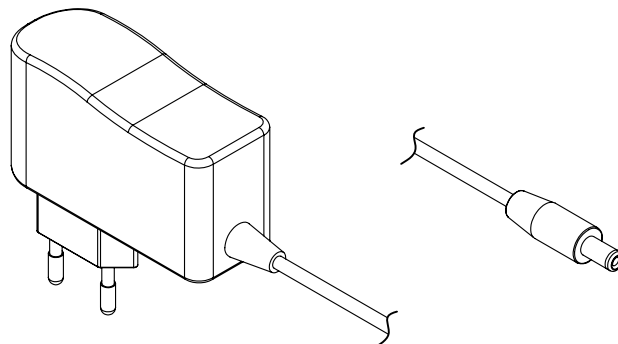
4 THOMAS, IRVINE, CA, 92618
TEL: (949) 951-8808 FAX: (949) 951-3974

TITLE: 24V Wide Range, VED Approved, Universal Regulated Switching Power Supply

DESIGNED: M. Chen	DATE: 04/30/07	PART NO: EIADT-VDE-001	REVISION: C
CHECKED: T. Yin	DATE: 04/30/07		CAGE CODE : 32559

CAD GENERATED DOCUMENT, DO NOT MEASURE DRAWING.

Mating Connector:
5.5 x 2.1 x 9mm DC Plugs



X-ON Electronics

Largest Supplier of Electrical and Electronic Components

Click to view similar products for [Wall Mount AC Adapters](#) category:

Click to view products by [Bivar](#) manufacturer:

Other Similar products are found below :

[ADP-163 E](#) [ADP-167 J](#) [ADP-168 K](#) [ADP-159 A](#) [ADP-165 G](#) [PSAC05A-050L6](#) [RLMDT361800](#) [DA10-050CH](#) [DA5-050US-B](#)
[RLMDT701800](#) [WSU120-2000-R13](#) [WSU180-1330-13](#) [AC-DC ADAPTER 160W](#) [WSU120-2000-13](#) [WSU150-0800-13](#) [WSU075-3200-13](#)
[WSU060-2000-R13](#) [WSU090-2500-13](#) [WSU050-2000-R13](#) [WSU240-1000-13](#) [WSU240-0500-R13](#) [WSU075-1500-13](#) [WSU050-3000-13](#)
[WSU120-1500-13](#) [WSU120-1500-R13](#) [WSU045-1500-13](#) [WSU240-0750-13](#) [WSU090-2500-R13](#) [WSU240-1500-13](#) [WSU180-0660-13](#)
[WSU075-1500-R13](#) [WSU090-1300-13](#) [WSU180-1330-R13](#) [BB-SMI1812VP230C1](#) [WSU050-1500-13](#) [WSU090-0800-13](#) [WSU120-0700-13](#)
[WSU045-3000-13](#) [WSU180-0450-13](#) [WSU150-0560-R13](#) [WSU135-0880-13](#) [WSU120-3000-13](#) [WSU120-1000-R13](#) [WSU090-1300-R13](#)
[WSU060-1250-R13](#) [WSU060-1250-13](#) [WSU045-2000-R13](#) [WSU045-1500-R13](#) [PSAC05A-050L6M](#) [392007-01](#)