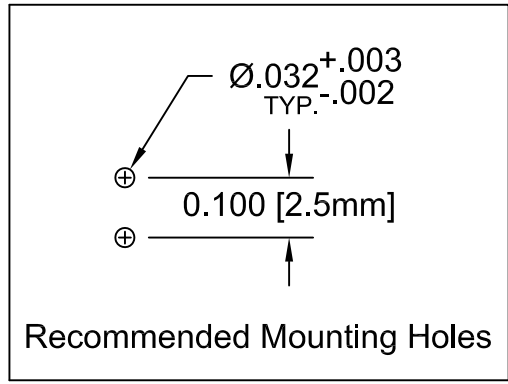
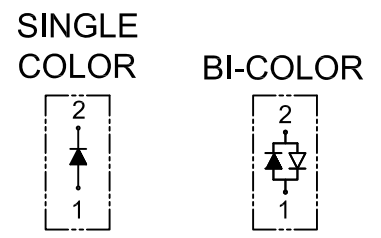
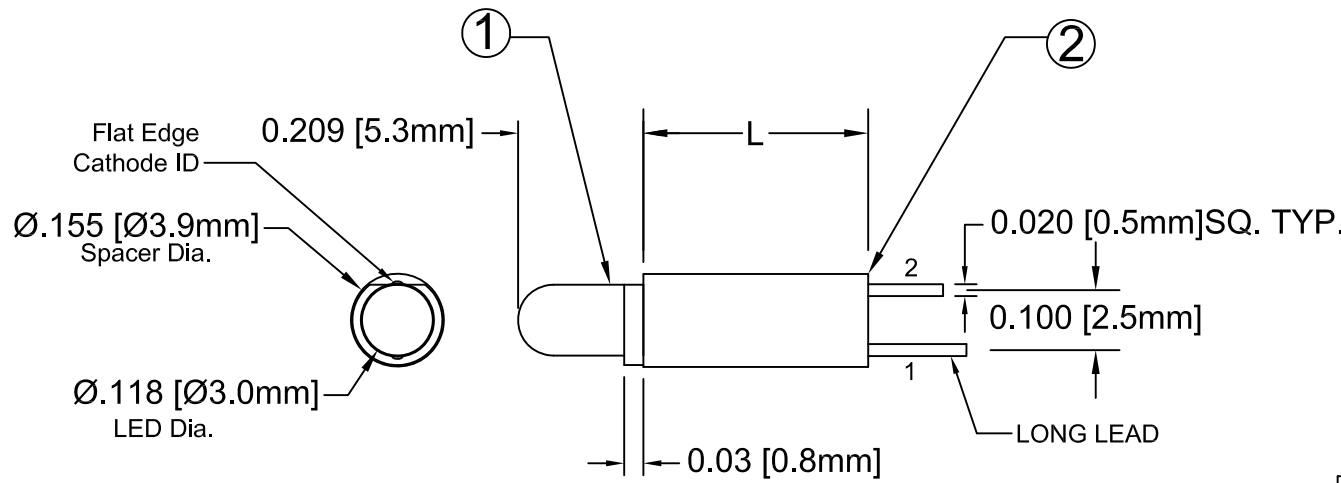


ITEM	Q'TY	PART NUMBER	PART DESCRIPTION
1	1	3XXX-F	T-1 (3mm) Flanged LED, See Page 2-3
2	1	ELM5XXX	Extruded, Self-Retaining Narrow LED Spacer

REV.	DESCRIPTION	DATE	APPROVED
C	Added Bicolor LEDs.	09/20/06	M. C.
D	Update BOM and Top View of ELM	11/07/06	M. C.
E	Added Low Current LEDs	01/04/07	M. C.
F	Corrected LED Part Numbers on Page 3	03/12/07	M. C.
G	Added 3SRC-F LED to Page 3	12/21/07	M. C.
H	Removed Tolerance Note.	09/03/08	M. C.
J	Added ELM5XXX3UYC Specs.	09/24/08	M. C.
K	Added Bi-Color LED Polarity Diagram.	03/29/10	T. Y.



BI-COLOR POLARITY		
LED P/N	(1) Cathode	(2) Cathode
3BC-F	Green	Red
3BC-Y/G-F	Green	Yellow


ABSOLUTE MAXIMUM RATINGS (Ta=25°C)

REVERSE VOLTAGE _____	5V
REVERSE CURRENT _____	100uA
OPERATING TEMPERATURE RANGE _____	-25° C - 85° C
STORAGE TEMPERATURE _____	-30° C - 100° C
LEAD SOLDERING TEMPERATURE(1/16" FROM BODY) _____	260° C FOR 5 SECONDS

STANDARD TOLERANCE (UNLESS OTHERWISE SPECIFIED)		 BIVAR ® 4 THOMAS, IRVINE, CA. 92618 TEL: (949) 951-8808 FAX: (949) 951-3974	
DECIMALS	ANGULAR		
.X ± .1	X° ± 1°		
.XX ± .02		 TITLE: EXTRUDED VERTICAL T-1 (3mm) LED NARROW SPACER PROFILE ASSY	
.XXX ± .010			
DESIGNED: Ty Yln	DATE: 03/10/04	PART NO: ELM5XXX3XX REVISION: K	
CHECKED: D. Green	DATE: 03/10/04		
		CAGE CODE : 32559 SHEET # 1 OF 3 <small>CAD GENERATED DOCUMENT, DO NOT MEASURE DRAWING.</small>	


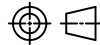
REV.	DESCRIPTION	DATE	APPROVED
	See Page 1		

LED Part No.	Chip			Lens Appearance	Absolute Maximum Ratings				Electro-Optical Data @ 20mA			Viewing Angle (Deg)
	Material	Peak Wave Length λ_p (nm)	Emitted Color		$\Delta\lambda$ (nm)	Pd (mW)	If (mA)	Peak If (mA)	Vf (V)		Iv (mcd)	
									Typ.	Max.	Typ.	
3BWC-F	GaN/SiC	430	BLUE	WATER CLEAR	65	150	25	70	4.0	4.5	15	20
3BWD-F	GaN/SiC	430	BLUE	DIFFUSED	65	150	25	70	4.0	4.5	10	35
3BWT-F	GaN/SiC	430	BLUE	TINTED	65	150	25	70	4.0	4.5	15	20
3PGC-F	GaP/GaP	555	PURE GREEN	WATER CLEAR	25	80	30	150	2.2	2.8	10	20
3PGD-F	GaP/GaP	555	PURE GREEN	DIFFUSED	25	80	30	150	2.2	2.8	5	35
3PGT-F	GaP/GaP	555	PURE GREEN	TINTED	25	80	30	150	2.2	2.8	10	20
3GC-F	GaP/GaP	568	GREEN	WATER CLEAR	30	80	30	150	2.1	2.8	40	20
3GD-F	GaP/GaP	568	GREEN	DIFFUSED	30	80	30	150	2.1	2.8	25	35
3GT-F	GaP/GaP	568	GREEN	TINTED	30	80	30	150	2.2	2.8	40	20
3YC-F	GaAsP/GaP	590	YELLOW	WATER CLEAR	35	80	30	150	2.0	2.8	40	20
3YD-F	GaAsP/GaP	590	YELLOW	DIFFUSED	35	80	30	150	2.0	2.8	20	35
3YT-F	GaAsP/GaP	590	YELLOW	TINTED	35	80	30	150	2.0	2.8	40	20
3UYC-F	GaAsP/GaP	590	YELLOW	WATER CLEAR	35	80	30	150	2.0	2.4	300	20
3AC-F	GaAsP/GaP	605	AMBER	WATER CLEAR	35	80	30	150	2.0	2.8	40	20
3AD-F	GaAsP/GaP	605	AMBER	DIFFUSED	35	80	30	150	2.0	2.8	25	35
3AT-F	GaAsP/GaP	605	AMBER	TINTED	35	80	30	150	2.0	2.8	40	20
3HC-F	GaAsP/GaP	625	HE RED	WATER CLEAR	45	80	30	150	2.0	2.8	50	20
3HD-F	GaAsP/GaP	625	HE RED	DIFFUSED	45	80	30	150	2.0	2.8	30	35
3HT-F	GaAsP/GaP	625	HE RED	TINTED	45	80	30	150	2.0	2.6	50	20
3RC-F	GaP/GaP	700	RED	WATER CLEAR	40	45	20	80	2.1	2.8	2.5	20
3RD-F	GaP/GaP	700	RED	DIFFUSED	40	45	20	80	2.1	2.8	2	35
3RT-F	GaP/GaP	700	RED	TINTED	40	45	20	80	2.1	2.8	2.5	20
3SRC-F	GaAlAs/GaAs	645	RED	WATER CLEAR	40	70	30	150	1.7	2.4	60	20
3BC-F	GaAsP/GaAs	625	RED	WHITE DIFFUSED	45	80	30	150	2.0	2.8	6	45
	GaP/GaP	568	GREEN		30	80	30	150	2.1	2.8	6	
3BC-Y/G-F	GaAsP/GaP	590	YELLOW	WHITE DIFFUSED	35	80	30	150	2.0	2.8	4	45
	GaP/GaP	568	GREEN		30	80	30	150	2.1	2.8	6	

STANDARD TOLERANCE (UNLESS OTHERWISE SPECIFIED) $\pm 10\%$ All Values		 BIVAR [®] 4 THOMAS, IRVINE, CA. 92618 TEL: (949) 951-8808 FAX: (949) 951-3974	
ANGULAR X° ± 1°			
DESIGNED: T. Yin		DATE: 03/10/04	TITLE: Extruded Vertical T-1 (3mm) LED Narrow Spacer Profile Assy PART NO: ELM5XXX3XX REVISION: K
CHECKED: David Green		DATE: 03/10/04	
		CAGE CODE : 32559	SHEET # 2 OF 3
CAD GENERATED DOCUMENT, DO NOT MEASURE DRAWING.			

REV.	DESCRIPTION	DATE	APPROVED
	SEE SHEET#1.		

LED Part No.	Chip			Lens Appearance	Absolute Max. Ratings			Electro-Optical Data @ 2mA			Viewing Angle 2θ ½ (Deg)
	Material	Peak Wave Length λp(nm)	Emitted Color		Δλ (nm)	Pd (mW)	If (mA)	Vf (V)		Iv (mcd)	
								TYP	MAX	TYP	
3BWDL-F	GaN/SiC	430	BLUE	DIFFUSED	65	10	5	4.0	4.5	6	35
3GDL-F	GaP/GaP	568	GREEN	DIFFUSED	30	10	5	2.1	2.8	2	35
3PGDL-F	GaP/GaP	555	PURE GREEN	DIFFUSED	25	10	5	2.2	2.8	4	35
3YDL-F	GaAsP/GaP	590	YELLOW	DIFFUSED	35	10	5	2.0	2.6	2	35
3ADL-F	GaAsP/GaP	605	AMBER	DIFFUSED	35	10	5	2.0	2.8	6	35
3HDL-F	GaAsP/GaP	625	HE RED	DIFFUSED	45	10	5	2.0	2.6	3	35
3RDL-F	GaP/GaP	700	RED	DIFFUSED	40	10	5	2.1	2.8	1	35
3SRDL-F	GaAlAs/GaAs	645	SUPER RED	DIFFUSED	20	10	5	1.7	2.4	3	35

STANDARD TOLERANCE (UNLESS OTHERWISE SPECIFIED) ±10% ALL VALUES		 BIVAR [®] 4 THOMAS, IRVINE, CA. 92618 TEL: (949) 951-8808 FAX: (949) 951-3974	
ANGULAR X° ± 5°			
		TITLE: Extruded Vertical T-1 (3mm) LED Narrow Spacer Profile Assy	
		DESIGNED: T. Yin	DATE: 03/10/04
CHECKED: David Green		DATE: 03/10/04	CAGE CODE : 32559 SHEET # 3 OF 3
CAD GENERATED DOCUMENT, DO NOT MEASURE DRAWING.			

X-ON Electronics

Largest Supplier of Electrical and Electronic Components

Click to view similar products for [LED Circuit Board Indicators](#) category:

Click to view products by [Bivar](#) manufacturer:

Other Similar products are found below :

[568-0701-841F](#) [LTL-4221NH129](#) [LTL-42DGNMHDP1](#) [HLMP1521101](#) [HLMP1523802F](#) [HLMP1700101F](#) [HLMP1700104F](#) [SMF-HM1530YD-305](#) [SSF-LXH409SYSUGW](#) [AM2520EHSGD](#) [HLMP1301104F](#) [HLMP1385101F](#) [HLMP1421101](#) [HLMP1503103F](#) [HLMP1503104F](#) [HLMP1700102F](#) [HLMP1700106F](#) [HLMP1700107F](#) [HLMP1790101F](#) [HLMP1790103F](#) [LTL-4211NHBP](#) [5390H3](#) [551-2802F](#) [552-0794-810F](#) [553-0222-812F](#) [HT3-BC-T](#) [564-0700-831F](#) [WP59BLGEW](#) [103-3101-1231-403](#) [5502407811F](#) [550-3007-810F](#) [551-3307MF](#) [552080-1](#) [573-2399-100F](#) [5932-927-2701-3F](#) [SMF-HM1530SRD-509](#) [SSF-LXH100MID](#) [SSF-LXH2103SRSDRP](#) [SSF-LXH555USBW](#) [WP937SB/4YGW](#) [WP937EB2EGW](#) [551-0312-802F](#) [553-0110-802F](#) [561-5501-050F](#) [6202T3-5VLC](#) [LTL-307G08A-D](#) [CMD57164](#) [568-2231-313F](#) [568-0102-809F](#) [568-0102-808F](#)