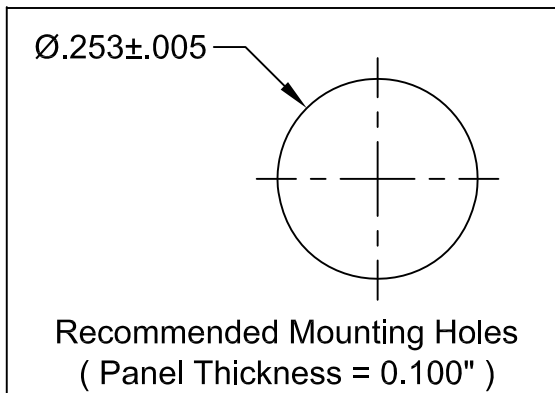
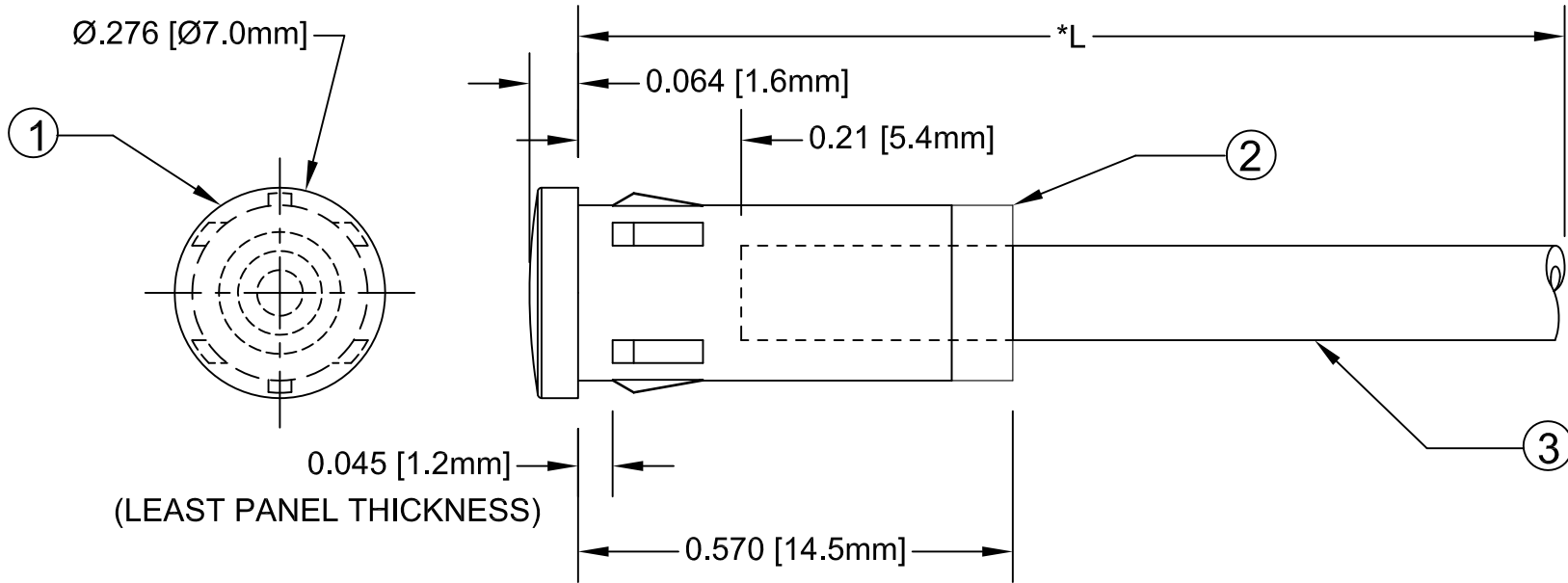




| ITEM | Q'TY | PART NUMBER    | PART DESCRIPTION                           |
|------|------|----------------|--|
| 1    | 1    | FLP-LC-5-02    | LENS CAP, FLEXIBLE LIGHT-PIPE, BODY        |
| 2    | 1    | FLP-LC-5-03    | 2mm LENS CAP, FLEXIBLE LIGHT-PIPE, INSERT  |
| 3    | 1    | FLPS2031-X.XXX | 2mm LIGHT PIPE CABLE, CUT LENGTH IN INCHES |

| REV. | DESCRIPTION          | DATE     | APPROVED |
|------|----------------------|----------|----------|
| A    | Engineering Release  | 09/14/09 | T. Y.    |
| B    | Updated Fiber In BOM | 11/16/12 | T. Y.    |
|      |                      |          |          |
|      |                      |          |          |
|      |                      |          |          |



| " L "              | Tolerance |
|--------------------|-----------|
| 0.750" ~ 16.000"   | ±0.050"   |
| 16.100" ~ 40.000"  | ±0.150"   |
| 40.100" ~ 80.000"  | ±0.300"   |
| 80.100" ~ 3,940.0" | ±0.5%     |

\*NOTE:  
ALLOWABLE CUT LENGTH IS UP TO 3 DECIMAL PLACES.

|  |                          |   |                       |
|--|--------------------------|---|-----------------------|
| STANDARD TOLERANCE<br>( UNLESS OTHERWISE SPECIFIED ) |                          | <br>4 THOMAS, IRVINE, CA. 92618<br>TEL: (949) 951-8808 FAX: (949) 951-3974 |                       |
| DECIMALS   | ANGULAR                  |   |                       |
| .X ±.1   | X° ± 1°                  |  <b>TITLE:</b> LENS CAP / FLP ASSEMBLY,<br>7mm ROUND                       |                       |
| .XX ±.02   |                          |   |                       |
| .XXX ±.010   |                          |   |                       |
| DESIGNED:<br><b>Brian Oliver</b>                     | DATE:<br><b>09/14/09</b> | <b>PART NO:</b> FLP25-XX.X  | REVISION:<br><b>B</b> |
| CHECKED:<br><b>Fred Jensen</b>                       | DATE:<br><b>09/14/09</b> | <b>CAGE CODE :</b> 32559  | <b>SHEET #</b> 1 OF 1 |
| CAD GENERATED DOCUMENT, DO NOT MEASURE DRAWING.      |                          |   |                       |

## X-ON Electronics

Largest Supplier of Electrical and Electronic Components

*Click to view similar products for [LED Light Pipes](#) category:*

*Click to view products by [Bivar](#) manufacturer:*

Other Similar products are found below :

[1367627-1](#) [SLP3-300-450-F](#) [SLP3-400-450-R](#) [LPA-C011301S-6](#) [LPF-C011306S](#) [FLP25-1.95](#) [VLP-640-F](#) [LPA-C011301S-5.4](#) [LPA-R051171S-12](#) [LPA-S011331S](#) [515-1027-803F](#) [515-1217F](#) [SLP3-150-300-R](#) [SLP3-500-450-R](#) [515-1064-810F](#) [FLPV-SG](#) [BDL-1187](#) [7511A41](#) [7511A87-500](#) [FLPV-SBC](#) [5151064802F](#) [5151-192-0055-0DF](#) [LPF-R011340S](#) [515-1166-801F](#) [FLPF-6.0](#) [PM4-C1522-3.70](#) [LC-11.25](#) [CLP-1214](#) [515-1064-808F](#) [FLX3\\_05](#) [515-1192-0025-0DF](#) [HS LC-H-D2/ R2XC1-2 54](#) [515-1192-80-3DF](#) [1282.2600](#) [1296.2004](#) [PBLP-1001-1](#) [SZ1-10.00-A220-F4P54](#) [LC2-4.1](#) [1296.7042](#) [SF4-2.5-F5P](#) [PLP5-2-625-54](#) [FLP25-13.5](#) [1271.2002](#) [1272.0030](#) [1276.2004](#) [1281.1001-8MM](#) [1282.1300](#) [1296.1034](#) [1296.2022](#) [1296.2054](#)