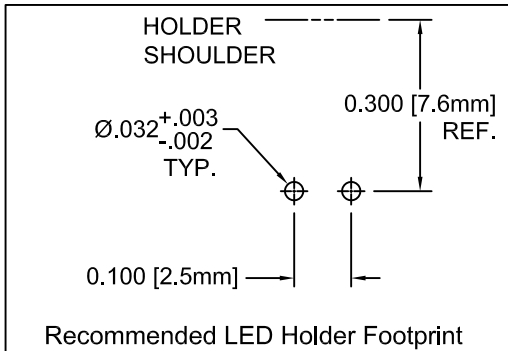
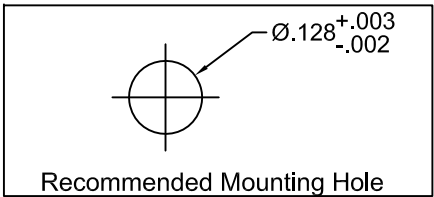
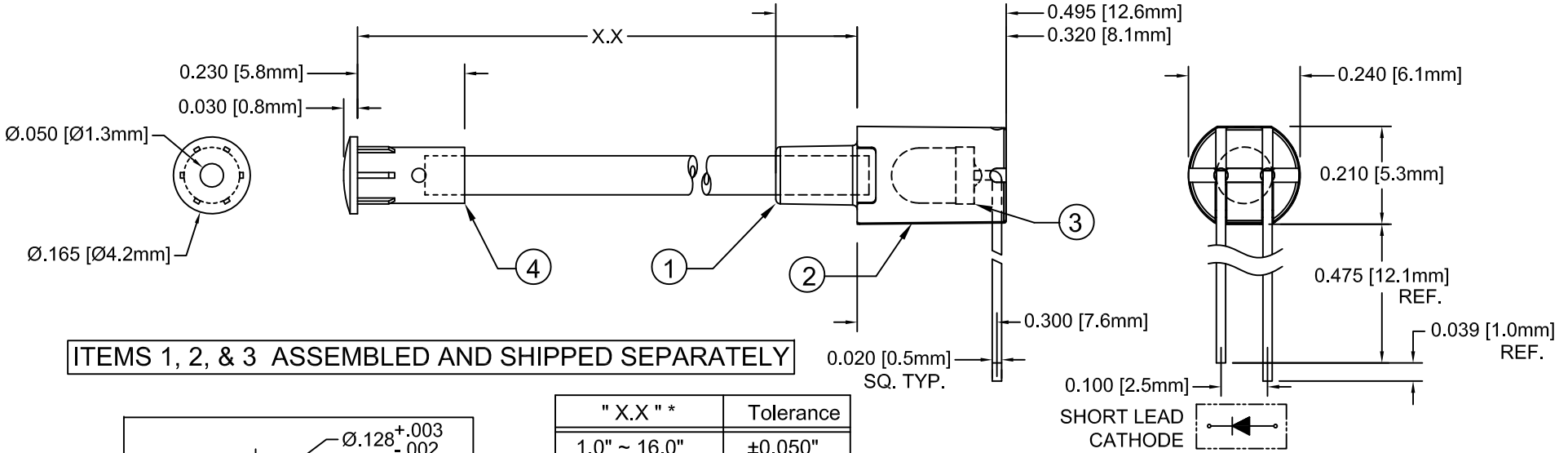


ITEM	Q'TY	PART NUMBER	PART DESCRIPTION
1	1	PML3-1	Bushing, FFlexible Light Pipe Adapter
2	1	PML3-2	Body, Flexible Light Pipe Adapter
3	1	3IR-940	T1 (3mm) Infrared LED
4	1	LC-IR-XX.X	IR Lens Cap / FLPS1022-X.XXX Assembly (X.XXX, Cut Length in Inches)

REV.	DESCRIPTION	DATE	APPROVED
A	Engineering Release.	03/22/10	T. Y.
B	Updated Fiber To FLPS In BOM	11/16/12	T. Y.



LED OPTICAL / ELECTRICAL CHARACTERISTICS					
Parameter	Test Condition	Minimum	Typical	Maximum	Units
Radiant Intensity	I _F = 50mA	11.78	33.4	-	mW/sr
Forward Voltage	I _F = 50mA	-	1.25	1.5	V
Peak Wavelength	I _F = 20mA	-	940	-	nm
Spectral Line-Half Width	I _F = 20mA	-	50	-	nm
Viewing Angle	I _F = 20mA	-	50	-	deg

LED ABSOLUTE MAXIMUM RATINGS		
Parameter	Maximum Rating	Unit
Power Dissipation	100	mW
Continuous Forward Current	100	mA
Peak Forward Current	1.0	A
Reverse Voltage	5	V
Reverse Current	10	uA

Lens Appearance: Blue Transparent

ABSOLUTE TEMPERATURE RATINGS (Ta=25°C)

OPERATING TEMPERATURE RANGE _____ -25° C - 85° C
 STORAGE TEMPERATURE _____ -30° C - 100° C
 LEAD SOLDERING TEMPERATURE(1/16" FROM BODY) _____ 260° C FOR 5 SECONDS

STANDARD TOLERANCE (UNLESS OTHERWISE SPECIFIED)		BIVAR [®]	4 THOMAS, IRVINE, CA. 92618 TEL: (949) 951-8808 FAX: (949) 951-3974
DECIMALS	ANGULAR		
.X ±.1 .XX ±.02 .XXX ±.010	X° ± 1°		
DESIGNED: Raffy Paje	DATE: 03/22/10	TITLE: FLEXIBLE LIGHT-PIPE LED ADAPTER ASSY, IR PART NO: FLPIRRXX.XIR940 CAGE CODE : 32559 SHEET # 1 OF 1	
CHECKED: T. Yin	DATE: 03/22/10		
CAD GENERATED DOCUMENT, DO NOT MEASURE DRAWING.		REVISION: B	

X-ON Electronics

Largest Supplier of Electrical and Electronic Components

Click to view similar products for [LED Light Pipes](#) category:

Click to view products by [Bivar](#) manufacturer:

Other Similar products are found below :

[1367627-1](#) [SLP3-300-450-F](#) [SLP3-400-450-R](#) [LPA-C011301S-6](#) [LPF-C011306S](#) [FLP25-1.95](#) [VLP-640-F](#) [LPA-C011301S-5.4](#) [LPA-R051171S-12](#) [LPA-S011331S](#) [515-1027-803F](#) [515-1217F](#) [SLP3-150-300-R](#) [SLP3-500-450-R](#) [515-1064-810F](#) [FLPV-SG](#) [BDL-1187](#) [7511A41](#) [7511A87-500](#) [FLPV-SBC](#) [5151064802F](#) [5151-192-0055-0DF](#) [LPF-R011340S](#) [515-1166-801F](#) [FLPF-6.0](#) [PM4-C1522-3.70](#) [LC-11.25](#) [CLP-1214](#) [515-1064-808F](#) [FLX3_05](#) [515-1192-0025-0DF](#) [HS LC-H-D2/ R2XC1-2 54](#) [515-1192-80-3DF](#) [1282.2600](#) [1296.2004](#) [PBLP-1001-1](#) [SZ1-10.00-A220-F4P54](#) [SZ1-10.00-A220-F4P](#) [LC2-4.1](#) [1296.7042](#) [SF4-2.5-F5P](#) [PLP5-2-625-54](#) [FLP25-13.5](#) [1271.2002](#) [1272.0030](#) [1276.2004](#) [1281.1001-8MM](#) [1282.1300](#) [1296.1034](#) [1296.2022](#)