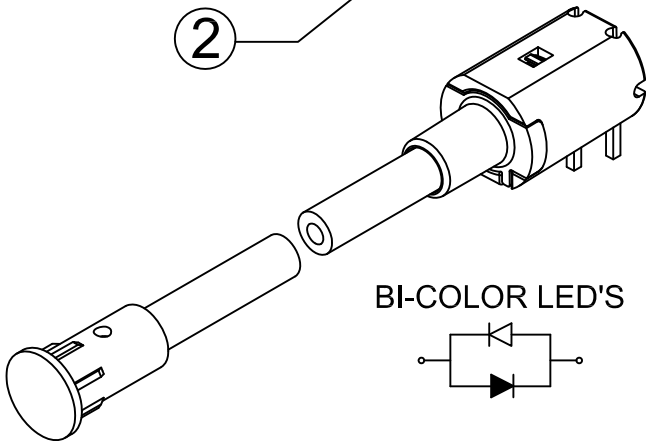
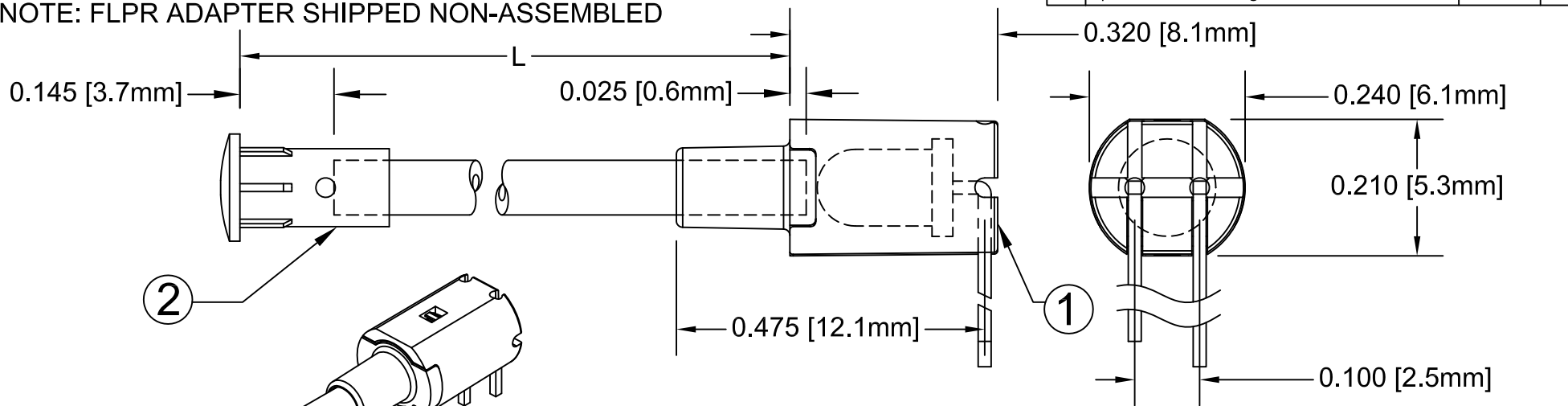


| ITEM | Q'TY | PART NUMBER | PART DESCRIPTION |
|------|------|-------------|--|
| 1 | 1 | FLPR-XX | Flexible Light Pipe Adapter, 90°, w/LED, See page 2 & 3. |
| 2 | 1 | LC-XX.X | Flexible Light-Pipe Lens Cap Assembly |

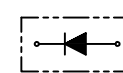
| REV. | DESCRIPTION | DATE | APPROVED |
|------|---|----------|----------|
| D | Added Shipping Note and Tolerance Table | 04/17/06 | M. C. |
| E | Changed Length From 2.5 to 0.5 at "L" Table | 02/12/07 | M. C. |
| F | Updated FLPC Hidden View and BOM | 08/27/08 | M. C. |
| G | LED Data Update | 11/18/11 | T. Y. |
| H | RP note added | 02/09/12 | T. Y. |
| J | Added the 3HC-F LED to page 2 | 02/09/12 | T. Y. |
| K | Updated Table For Length "L" | 11/15/12 | T. Y. |

NOTE: FLPR ADAPTER SHIPPED NON-ASSEMBLED



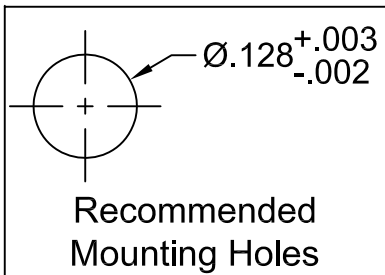
| " L " * | Tolerance |
|------------------|-----------|
| 1.0" ~ 16.0" | ±0.050" |
| 16.1" ~ 40.0" | ±0.15" |
| 40.1" ~ 80.0" | ±0.30" |
| 80.1" ~ 3,940.0" | ±0.5% |

* Available in 0.1" increments only

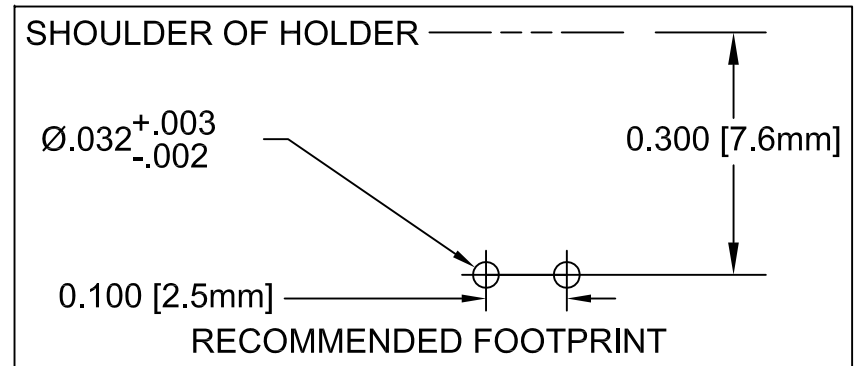


SINGLE COLOR LED
SHORT LEAD CATHODE

Add -RP suffix for Reverse Polarity



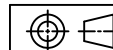
| SHORT LEAD CATHODE | LED PART NO. | LONG LEAD CATHODE |
|--------------------|--------------|-------------------|
| RED | 3xBCC-F | GREEN |
| YELLOW | 3xBCC-Y/G-F | GREEN |
| RED | 3xBCC-R/Y-F | YELLOW |
| AMBER | 3xBCC-A/G-F | GREEN |



ABSOLUTE MAXIMUM RATINGS (Ta=25°C)

| | | |
|---|-------|----------------------|
| REVERSE VOLTAGE | _____ | 5V |
| REVERSE CURRENT | _____ | 100uA |
| OPERATING TEMPERATURE RANGE | _____ | -25° C - 85° C |
| STORAGE TEMPERATURE | _____ | -30° C - 100° C |
| LEAD SOLDERING TEMPERATURE(1/16" FROM BODY) | _____ | 260° C FOR 5 SECONDS |

| STANDARD TOLERANCE (UNLESS OTHERWISE SPECIFIED) | |
|--|---------|
| DECIMALS | ANGULAR |
| .X ±.1 | X° ± 1° |
| .XX ±.02 | |
| .XXX ±.010 | |



BIVAR[®]
4 THOMAS, IRVINE, CA. 92618
TEL: (949) 951-8808 FAX: (949) 951-3974

TITLE: FLEXIBLE LIGHT-PIPE ASSY
RIGHT ANGLE, 3mm LENS CAP W/LED

PART NO: FLPRX.X-XX

REVISION: K

DESIGNED: Shane Irving **DATE:** 02/09/99



CHECKED: M. Chen **DATE:** 07/03/02

CAGE CODE : 32559 **SHEET #** 1 **OF** 3

CAD GENERATED DOCUMENT, DO NOT MEASURE DRAWING.



| | | | |
|------|--------------|------|----------|
| REV. | DESCRIPTION | DATE | APPROVED |
| | SEE SHEET#1. | | |
| | | | |

| Assy Part No. | LED Part No. | Chip | | | Lens Appearance | Absolute Max. Ratings | | | | Electro-Optical Data @ 20mA | | | Viewing Angle 2 θ 1/2 (Deg) |
|----------------|--------------|--------------|--------------------------------------|---------------|-----------------|-------------------------|------------|------------|----------------|-----------------------------|-----|-------------|--|
| | | Material | Peak Wave Length λ_p (nm) | Emitted Color | | $\Delta\lambda$ (nm) | Pd (mW) | If (mA) | Peak If(mA) | Vf (V) | | Iv (mcd) | |
| | | | | | | | | | | TYP | MAX | TYP | |
| FLPRX.X-SG | 3SGC-F | GaP/GaP | 568 | SUPER GREEN | WATER CLEAR | - | 80 | 30 | 150 | 2.1 | 2.8 | 50 | 20 |
| FLPRX.X-SY | 3SYC-F | GaAsP/GaP | 590 | SUPER YELLOW | WATER CLEAR | - | 85 | 30 | 150 | 2.0 | 2.8 | 50 | 20 |
| FLPRX.X-SA | 3SAC-F | AlGaInP | 605 | SUPER AMBER | WATER CLEAR | - | 100 | 30 | 150 | 1.8 | 2.4 | 300 | 20 |
| FLPRX.X-SR | 3SRC-F | GaAiAsP/GaAs | 645 | SUPER RED | WATER CLEAR | - | 70 | 30 | 150 | 1.7 | 2.4 | 60 | 20 |
| FLPRX.X-UBW.6K | 3UBWC-0.6K-F | GaN/SiC | 470 | BLUE | WATER CLEAR | - | 150 | 25 | 70 | 4.0 | 4.5 | 400 | 20 |
| FLPRX.X-UT | 3UTC-F | GaN/SiC | 500 | TURQUOISE | WATER CLEAR | - | 70 | 30 | 150 | 3.5 | 4.0 | 800 | 20 |
| FLPRX.X-UG | 3UGC-F | AlGaInP | 570 | GREEN | WATER CLEAR | - | 100 | 30 | 150 | 2.1 | 2.4 | 200 | 20 |
| FLPRX.X-SUG | 3SUGC-F | AlGaInP | 570 | GREEN | WATER CLEAR | - | 100 | 30 | 150 | 2.1 | 2.4 | 300 | 20 |
| FLPRX.X-UY | 3UYC-F | AlGaInP | 590 | YELLOW | WATER CLEAR | - | 85 | 30 | 150 | 2.0 | 2.4 | 300 | 20 |
| FLPRX.X-SUY | 3SUYC-F | AlGaInP | 590 | YELLOW | WATER CLEAR | - | 85 | 30 | 150 | 2.0 | 2.4 | 400 | 20 |
| FLPRX.X-UUY | 3UUYC-F | AlGaInP | 590 | YELLOW | WATER CLEAR | - | 85 | 30 | 150 | 2.0 | 2.4 | 600 | 20 |
| FLPRX.X-UO | 3UOC-F | AlGaInP | 625 | ORANGE | WATER CLEAR | - | 100 | 30 | 150 | 1.8 | 2.4 | 300 | 20 |
| FLPRX.X-SUO | 3SUOC-F | AlGaInP | 625 | ORANGE | WATER CLEAR | - | 100 | 30 | 150 | 1.8 | 2.4 | 400 | 20 |
| FLPRX.X-UR | 3URC-F | GaAlAs/GaAs | 645 | RED | WATER CLEAR | - | 60 | 30 | 150 | 1.7 | 2.4 | 200 | 20 |
| FLPRX.X-SUR | 3SURC-F | AlGaInP | 640 | RED | WATER CLEAR | - | 70 | 30 | 150 | 1.8 | 2.4 | 200 | 20 |
| FLPRX.X-H | 3HC-F | GaAsP/GaP | 625 | RED | WATER CLEAR | - | 80 | 30 | 150 | 2.0 | 2.8 | 50 | 20 |

| | | | |
|---|--|--|--|
| STANDARD TOLERANCE (UNLESS OTHERWISE SPECIFIED) $\pm 10\%$ ALL VALUES | |  BIVAR [®] 4 THOMAS, IRVINE, CA. 92618 TEL: (949) 951-8808 FAX: (949) 951-3974 | |
| ANGULAR X° \pm 5° | | | |
|  | | TITLE: FLEXIBLE LIGHT-PIPE ASSY RIGHT ANGLE, 3mm LENS CAP W/LED | |
| | | DESIGNED: David Green | DATE: 06/09/03 |
| CHECKED: M. Chen | | DATE: 06/09/03 | CAGE CODE : 32559 SHEET # 2 OF 3 |
| CAD GENERATED DOCUMENT, DO NOT MEASURE DRAWING. | | | |

| | | | |
|------|--------------|------|----------|
| REV. | DESCRIPTION | DATE | APPROVED |
| | SEE SHEET#1. | | |

| Assy Part No. | LED Part No. | Chip | | | Lens Appearance | Absolute Max. Ratings | | | | Electro-Optical Data @ 20mA | | | Viewing Angle 2θ ½ (Deg) |
|-----------------|--------------|-------------|----------------------------|---------------|-----------------|-----------------------|------------|------------|----------------|-----------------------------|-----|-------------|--------------------------------|
| | | Material | Peak Wave Length λp(nm) | Emitted Color | | Δλ (nm) | Pd (mW) | If (mA) | Peak If(mA) | Vf (V) | | Iv (mcd) | |
| | | | | | | | | | | TYP | MAX | TYP | |
| FLPRX.X-BC | 3BCC-F | GaAsP/GaP | 625 | RED | WATER CLEAR | 35 | 80 | 30 | 150 | 2.0 | 2.8 | 8 | 40 |
| | | GaP/GaP | 568 | GREEN | | 30 | 80 | 30 | 150 | 2.1 | 2.8 | 8 | |
| FLPRX.X-BC-Y/G | 3BCC-Y/G-F | GaAsP/GaP | 590 | YELLOW | WATER CLEAR | 35 | 80 | 30 | 150 | 2.0 | 2.8 | 6 | 40 |
| | | GaP/GaP | 568 | GREEN | | 30 | 80 | 30 | 150 | 2.1 | 2.8 | 8 | |
| FLPRX.X-BC-R/Y | 3BCC-R/Y-F | GaAsP/GaP | 625 | RED | WATER CLEAR | 35 | 80 | 30 | 150 | 2.0 | 2.8 | 8 | 40 |
| | | GaP/GaP | 590 | YELLOW | | 30 | 80 | 30 | 150 | 2.0 | 2.8 | 6 | |
| FLPRX.X-BC-A/G | 3BCC-A/G-F | GaAsP/GaP | 605 | AMBER | WATER CLEAR | 35 | 80 | 30 | 150 | 2.0 | 2.8 | 6 | 40 |
| | | GaP/GaP | 568 | GREEN | | 30 | 80 | 30 | 150 | 2.1 | 2.8 | 8 | |
| FLPRX.X-SBC | 3SBCC-F | GaAlAs/GaAs | 645 | SUPER RED | WATER CLEAR | - | 70 | 30 | 150 | 1.7 | 2.4 | 100 | 20 |
| | | GaP/GaP | 568 | SUPER GREEN | | - | 80 | 30 | 150 | 2.1 | 2.8 | 60 | |
| FLPRX.X-SBC-Y/G | 3SBCC-Y/G-F | InGaAlP | 585 | SUPER YELLOW | WATER CLEAR | - | 85 | 20 | 160 | 2.1 | 2.4 | 15 | 40 |
| | | GaP/GaP | 565 | SUPER GREEN | | - | 80 | 20 | 160 | 2.1 | 2.8 | 5 | |
| FLPRX.X-SBC-R/Y | 3SBCC-R/Y-F | GaAlAs/GaAs | 645 | SUPER RED | WATER CLEAR | - | 70 | 30 | 150 | 1.7 | 2.4 | 100 | 20 |
| | | AlGaInP | 590 | SUPER YELLOW | | - | 85 | 30 | 150 | 2.0 | 2.4 | 300 | |

| | | | |
|---|--------------------------|--|------------------------------|
| STANDARD TOLERANCE (UNLESS OTHERWISE SPECIFIED) ±10% ALL VALUES | |  BIVAR [®] 4 THOMAS, IRVINE, CA. 92618 TEL: (949) 951-8808 FAX: (949) 951-3974 | |
| ANGULAR X° ± 5° | |  TITLE: FLEXIBLE LIGHT-PIPE ASSY RIGHT ANGLE, 3mm LENS CAP W/LED | |
| DESIGNED: David Green | DATE: 06/09/03 | PART NO: FLPRX.X-XX | REVISION: K |
| CHECKED: M. Chen | DATE: 06/09/03 | CAGE CODE : 32559 | SHEET # 3 OF 3 |
| CAD GENERATED DOCUMENT, DO NOT MEASURE DRAWING. | | | |

X-ON Electronics

Largest Supplier of Electrical and Electronic Components

Click to view similar products for [LED Light Pipes](#) category:

Click to view products by [Bivar](#) manufacturer:

Other Similar products are found below :

[1367627-1](#) [SLP3-300-450-F](#) [SLP3-400-450-R](#) [LPA-C011301S-6](#) [LPF-C011306S](#) [FLP25-1.95](#) [VLP-640-F](#) [LPA-C011301S-5.4](#) [LPA-R051171S-12](#) [LPA-S011331S](#) [515-1027-803F](#) [515-1217F](#) [SLP3-150-300-R](#) [SLP3-500-450-R](#) [515-1064-810F](#) [FLPV-SG](#) [BDL-1187](#)
[7511A41](#) [7511A87-500](#) [FLPV-SBC](#) [5151064802F](#) [5151-192-0055-0DF](#) [LPF-R011340S](#) [515-1166-801F](#) [FLPF-6.0](#) [SLP3-350-200-F](#) [PM4-C1522-3.70](#) [LC-11.25](#) [CLP-1214](#) [515-1064-808F](#) [FLX3_05](#) [515-1192-0025-0DF](#) [HS LC-H-D2/ R2XC1-2 54](#) [515-1192-80-3DF](#) [1282.2600](#)
[1296.2004](#) [PBLP-1001-1](#) [SZ1-10.00-A220-F4P54](#) [LC2-4.1](#) [1296.7042](#) [SF4-2.5-F5P](#) [PLP5-2-625-54](#) [FLP25-13.5](#) [1330.1001](#) [1330.1002](#)
[1330.1004](#) [1330.1006](#) [1330.1007](#) [1330.1008](#) [1271.2002](#)