

ABSOLUTE MAXIMUM RATINGS (T_a = 25°C)

REVERSE VOLTAGE _____ 5V

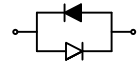
REVERSE CURRENT (V_R=5V) _____ 100µA

OPERATING TEMPERATURE RANGE _____ -25°C ~ 85°C

STORAGE TEMPERATURE _____ -30°C ~ 100°C

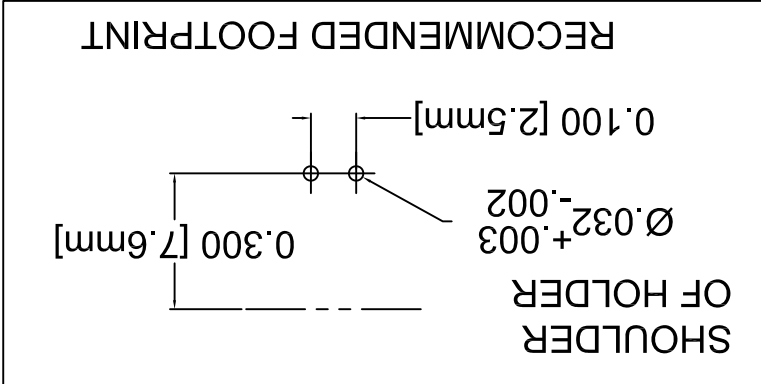
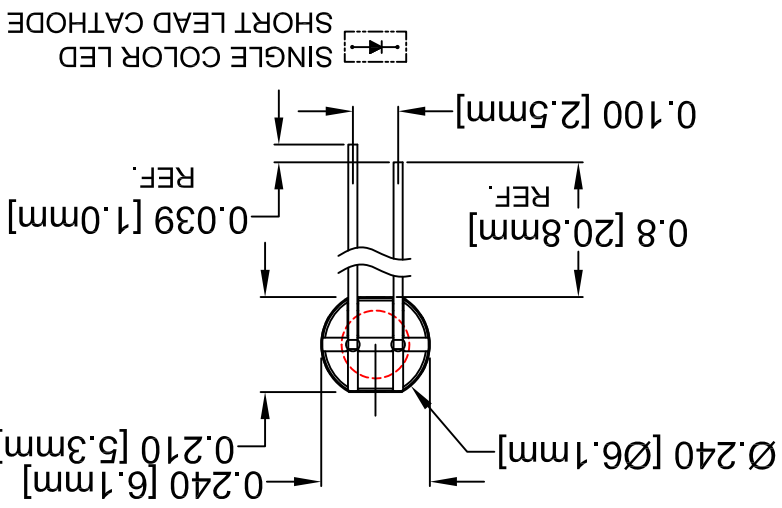
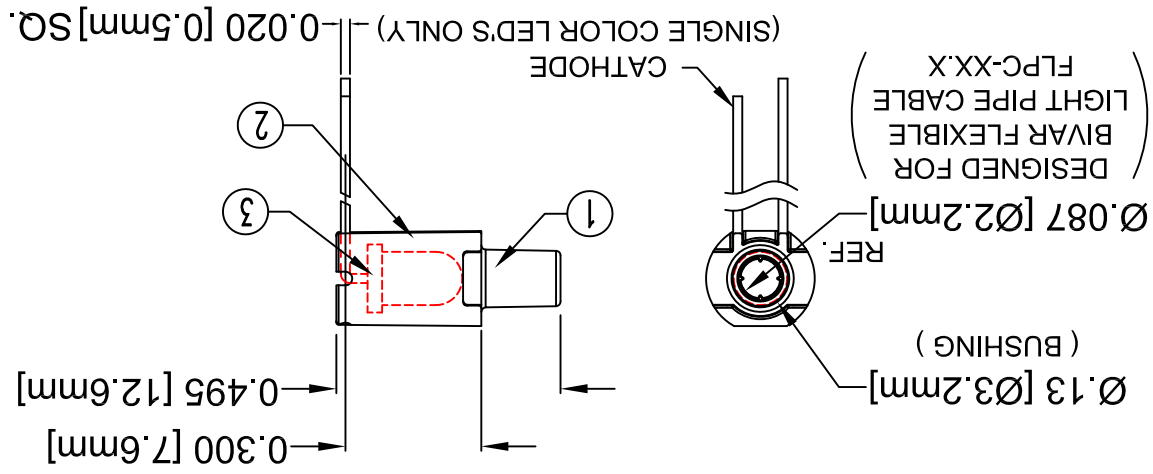
LEAD SOLDERING TEMPERATURE (1/16" FROM BODY) _____ 260°C for 5 Seconds

SHORT LEAD	LED PART NO.	CATHODE
LONG LEAD		
RED	3XBC-C-F	GREEN
YELLOW	3XBC-C-Y/G-F	GREEN
RED	3XBC-C-R/Y-F	YELLOW
AMBER	3XBC-C-A/G-F	GREEN



BI-COLOR LED'S

ITEM	QTY	PART NUMBER	PART DESCRIPTION
1	1	PML3-1	FLEXIBLE LIGHT-PIPE HOLDER, BUSHING
2	1	PML3-2	FLEXIBLE LIGHT-PIPE HOLDER, BODY
3	1	3XX-XX-F	T-1 (3mm) LED FLANGED, SEE PAGE 2 & 3.



RECOMMENDED FOOTPRINT

DESIGNED: David Green	DATE: 04/04/03	CHECKED: M. Chen	DATE: 04/04/03
TITLE: FLEXIBLE LIGHT PIPE ADAPTER, RIGHT ANGLE, W/LED	PART NO.: FLPR-XX	CAGE CODE: 32559	SHEET # 1 OF 3
STANDARD TOLERANCE (UNLESS OTHERWISE SPECIFIED) DECIMALS: .X ±.1 ANGULAR: X° ±1°			
4 THOMAS, IRVINE, CA, 92618 TEL: (949) 951-8808 FAX: (949) 951-3974			
BIVAR			

REV.	DESCRIPTION	DATE	APPROVED
B	ECO#381, ADDED SUPER AMBER	04/21/03	M. C.
C	ADDED FLPR-BC-A/G	05/15/03	M. C.
D	REPLACE PML3, LED HOLDER, WITH PML3-12	10/21/03	M. C.
E	Replace PML3, LED Holder, with PML3-12, corrected bicolor LED from 3BC-XX Series to 3BCC-XX series. Added 3BCC-XX Series.	05/11/04	M. C.
F	Lead Length Callout (Ref. Dim.) and Spec Update	07/02/10	T. Y.
G	Replaced 3UWC-0.6K-F with 3UWC1.035C-F	04/08/13	T. Y.

CAD GENERATED DOCUMENT. DO NOT MEASURE DRAWING.

REV.	DESCRIPTION	DATE	APPROVED
	SEE SHEET #1.		

LED Assy. No.	Emitted Color	Peak Wave Length λ (nm)	Lens Appearance	Absolute Max. Ratings			Electro-Optical Data @ 20mA			Viewing Angle $2\theta \frac{1}{2}$ (Deg)	LED P/N	
				Pd (mW)	If (mA)	Peak If (mA)	Vf (V)	Iv (mcd)	Max.			Typ.
FLPR-SG	SUPER GREEN	568	WATER CLEAR	80	30	150	2.1	2.8	50	20	3SGC-F	
FLPR-SY	SUPER YELLOW	590	WATER CLEAR	85	30	150	2.0	2.8	50	20	3SYC-F	
FLPR-SA	SUPER AMBER	605	WATER CLEAR	100	30	150	1.8	2.4	300	20	3SAC-F	
FLPR-SR	SUPER RED	645	WATER CLEAR	70	30	150	1.7	2.4	60	20	3SRC-F	

LED Assy. No.	Emitted Color	Peak Wave Length λ (nm)	Lens Appearance	Absolute Max. Ratings			Electro-Optical Data @ 20mA			Viewing Angle $2\theta \frac{1}{2}$ (Deg)	LED P/N	
				Pd (mW)	If (mA)	Peak If (mA)	Vf (V)	Iv (mcd)	Max.			Typ.
FLPR-UBW.6K	BLUE	470	WATER CLEAR	150	25	70	4.0	4.5	400	20	3UBWC-0.6K-F	
FLPR-UT	TURQUOISE	500	WATER CLEAR	70	30	150	3.5	4.0	800	20	3UTC-F	
FLPR-UG	GREEN	570	WATER CLEAR	100	30	150	2.1	2.4	200	20	3UGC-F	
FLPR-SUG	GREEN	570	WATER CLEAR	100	30	150	2.1	2.4	300	20	3SUGC-F	
FLPR-UY	YELLOW	590	WATER CLEAR	85	30	150	2.0	2.4	300	20	3UYC-F	
FLPR-SUY	YELLOW	590	WATER CLEAR	85	30	150	2.0	2.4	400	20	3SUYC-F	
FLPR-UUY	YELLOW	590	WATER CLEAR	85	30	150	2.0	2.4	600	20	3UUYC-F	
FLPR-UO	ORANGE	625	WATER CLEAR	100	30	150	1.8	2.4	300	20	3UOC-F	
FLPR-SUO	ORANGE	625	WATER CLEAR	100	30	150	1.8	2.4	400	20	3SUOC-F	
FLPR-UR	RED	645	WATER CLEAR	60	30	150	1.7	2.4	200	20	3URC-F	
FLPR-SUR	RED	640	WATER CLEAR	70	30	150	1.8	2.4	200	20	3SURC-F	
FLPR-UW.6K	WHITE	-	WATER CLEAR	120	30	100	3.4	3.8	1000	35	3UWC1.035C-F	

STANDARD TOLERANCE
(UNLESS OTHERWISE SPECIFIED)
#10% ALL VALUES ANGULAR

BIVAR
4 THOMAS, IRVINE, CA, 92618
TEL: (949) 951-8808 FAX: (949) 951-3974

TITLE: FLEXIBLE LIGHT PIPE ADAPTER, RIGHT ANGLE, W/LED

DESIGNED: David Green
DATE: 04/04/03

CHECKED: M. Chen
DATE: 04/04/03

REVISION: G
PART NO: FLPR-XX
SHEET # 2 **OF** 3
CAGE CODE : 32559

CAD GENERATED DOCUMENT. DO NOT MEASURE DRAWING.

REV.	DESCRIPTION	DATE	APPROVED
	SEE SHEET #1.		

LED Assy. No.	Emitted Color	Peak Wave Length λ (nm)	Lens Appearance	Absolute Max. Ratings				Electro-Optical Data @ 20mA		
				Pd (mW)	If (mA)	Peak If (mA)	Vf (V)	Iv (mcd)	Viewing Angle 2θ (Deg)	
				Typ.		Max.	Typ.			
FLPR-BC	HE RED	625	80	30	150	2.0	2.8	8	40	3BCC-F
	GREEN	568	80	30	150	2.1	2.8	8		
FLPR-BC-Y/G	YELLOW	590	80	30	150	2.0	2.8	6	40	3BCC-Y/G-F
	GREEN	568	80	30	150	2.1	2.8	8		
FLPR-BC-R/Y	HE RED	625	80	30	150	2.0	2.8	8	40	3BCC-R/Y-F
	YELLOW	590	80	30	150	2.0	2.8	6		
FLPR-BC-A/G	AMBER	605	80	30	150	2.0	2.8	6	40	3BCC-A/G-F
	GREEN	568	80	30	150	2.1	2.8	8		

LED Assy. No.	Emitted Color	Peak Wave Length λ (nm)	Lens Appearance	Absolute Max. Ratings				Electro-Optical Data @ 20mA		
				Pd (mW)	If (mA)	Peak If (mA)	Vf (V)	Iv (mcd)	Viewing Angle 2θ (Deg)	
				Typ.		Max.	Typ.			
FLPR-SBC	SUPPER RED	645	70	30	150	1.7	2.4	100	20	3SBCC-F
	HE GREEN	568	80	30	150	2.1	2.8	60		
FLPR-SBC-Y/G	SUPPER Y BLOW	585	85	20	160	2.1	2.4	15	40	3SBCC-Y/G-F
	HE GREEN	565	80	20	160	2.1	2.8	5		
FLPR-SBC-R/Y	SUPPER RED	645	70	30	150	1.7	2.4	100	20	3SBCC-R/Y-F
	SUPPER Y BLOW	590	85	30	150	2.0	2.4	300		

STANDARD TOLERANCE (UNLESS OTHERWISE SPECIFIED) #10% ALL VALUES ANGULAR

BIVAR
 4 THOMAS, IRVINE, CA, 92618
 TEL: (949) 951-8808 FAX: (949) 951-3974

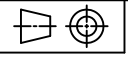
TITLE: FLEXIBLE LIGHT PIPE ADAPTER, RIGHT ANGLE, W/LED

DESIGNED: David Green
DATE: 04/04/03

CHECKED: M. Chen
DATE: 04/04/03

CAGE CODE : 32559 **SHEET #** 3 **OF** 3

CAD GENERATED DOCUMENT, DO NOT MEASURE DRAWING.



X-ON Electronics

Largest Supplier of Electrical and Electronic Components

Click to view similar products for [LED Light Pipes](#) category:

Click to view products by [Bivar](#) manufacturer:

Other Similar products are found below :

[1367627-1](#) [SLP3-300-450-F](#) [SLP3-400-450-R](#) [LPA-C011301S-23](#) [LPA-C011301S-6](#) [LPF-C011306S](#) [515-1061-803F](#) [515-1142-170F](#) [515-1155F](#) [VLP-640-F](#) [LMC-034-CTP](#) [LPA-C011301S-5.4](#) [LPA-C041301S-2](#) [LPA-S011331S](#) [LPC_155_CTP](#) [LPC_182_CTP](#) [LPC_190_CTP](#) [515-1001-802F](#) [515-1027-803F](#) [515-1048-801F](#) [515-1142-195F](#) [515-1146F](#) [515-1148F](#) [515-1217F](#) [SLP3-150-300-R](#) [SLP3-500-450-R](#) [515-1058F](#) [515-1064-810F](#) [515-1114-801F](#) [FLPR-SBC](#) [FLPV-SG](#) [FLPR-SG](#) [BDL-1187](#) [7511A41](#) [7511A62V0](#) [7511F2](#) [FLPV-SBC](#) [SLP3-300-250-R](#) [5151064802F](#) [LPF-R011340S](#) [515-1166-801F](#) [FLPF-6.0](#) [SLP3-350-200-F](#) [LC-11.25](#) [CLP-1214](#) [1296.2044](#) [515-1064-808F](#) [FLX3_05](#)
[515-1192-0025-0DF](#) [515-1192-80-3DF](#)