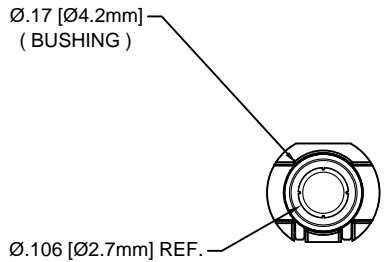
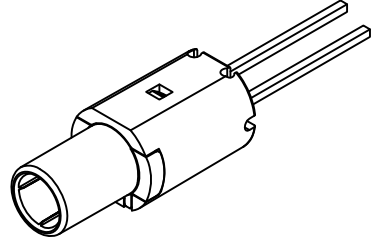
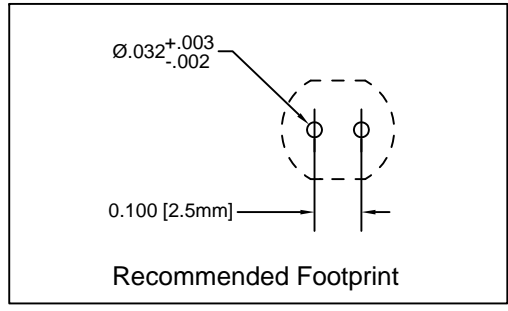
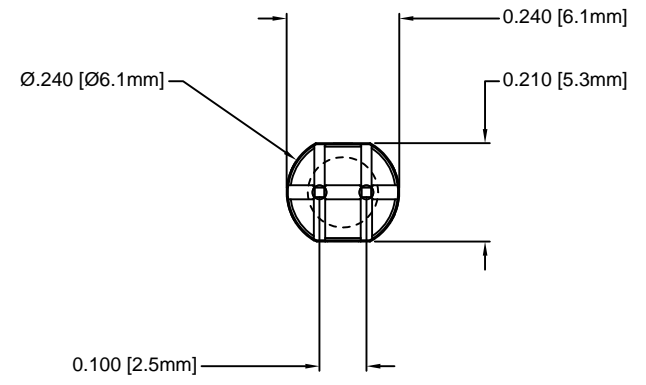
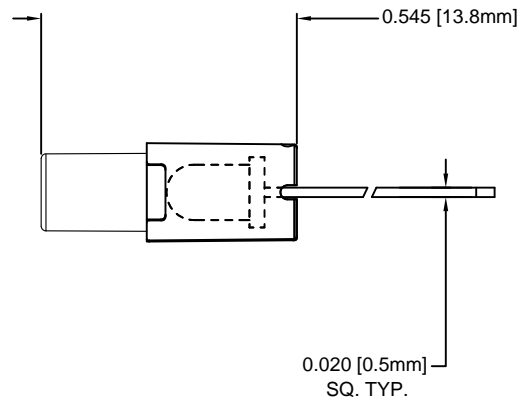


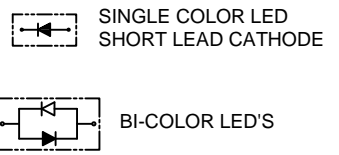
REV.	DESCRIPTION	DATE	APPROVED
A	Engineering Release	05/12/17	J. C.



(DESIGNED FOR
BIVAR FLEXIBLE
LIGHT PIPE CABLE
FLPS2027)



Part Number Configuration
FLPV3-UR
LED Color,
See Page 2



SHORT LEAD CATHODE	LED PART NO.	LONG LEAD CATHODE
RED	3BCC-F	GREEN
RED	3SBCC-F	GREEN
YELLOW	3SBCC-Y/G-F	GREEN

NOTES:
1. ROHS COMPLIANT
2. ADAPTER DESIGNED FOR BIVAR FLEXIBLE LIGHT PIPE CABLE FLPS2027


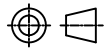
STANDARD TOLERANCE (UNLESS OTHERWISE SPECIFIED)		 4 THOMAS, IRVINE, CA. 92618 TEL: (949) 951-8808 FAX: (949) 951-3974	
DECIMALS	ANGULAR		
.X ± .1	X° ± 1°	 TITLE: FLEXIBLE LIGHT PIPE ADAPTER, VERTICAL, W/LED PART NO: FLPV3-XXX REVISION: A	
.XX ± .02			
.XXX ± .010			
DESIGNED: TD. Nguyen	DATE: 04/30/17	CAGE CODE : 32559	SHEET # 1 OF 2
CHECKED: K. Baron	DATE: 04/30/17	CAD GENERATED DOCUMENT, DO NOT MEASURE DRAWING.	

REV.	DESCRIPTION	DATE	APPROVED
	SEE SHEET #1		

Assy P/N	Emitted Color	Peak Wavelength λ_p (nm)	Absolute Max. Ratings			LED Electro-Optical Data @ 20mA			LED P/N
			Pd (mW)	If (mA)	Peak If (mA)	Vf (V)		LED Iv (mcd)	
		TYP				TYP	MAX	TYP	
SINGLE COLOR LED ASSEMBLIES (20mA)									
FLPV3-SG	GREEN	568	80	30	150	2.1	2.8	50	3SGC-F
FLPV3-SY	YELLOW	590	85	30	150	2.0	2.8	50	3SYC-F
FLPV3-SR	RED	645	70	30	150	1.7	2.4	60	3SRC-F
FLPV3-UB	BLUE	470	150	25	70	4.0	4.5	400	3UBWC-0.6K-F
FLPV3-UG	GREEN	570	100	30	150	2.1	2.4	200	3UGC-F
FLPV3-UY	YELLOW	590	85	30	150	2.0	2.4	300	3UYC-F
FLPV3-UR	RED	645	60	30	150	1.7	2.4	200	3URC-F
BI-COLOR LED ASSEMBLIES (20mA)									
FLPV3-RG	RED	625	80	30	150	2.0	2.8	8	3BCC-F
	GREEN	568	80	30	150	2.1	2.8	8	
FLPV3-SRG	RED	645	70	30	150	1.7	2.4	100	3SBCC-F
	GREEN	568	80	30	150	2.1	2.8	60	
FLPV3-SYG	Yellow	585	85	20	160	2.1	2.4	15	3SBCC-Y/G-F
	GREEN	565	80	20	160	2.1	2.8	5	

ABSOLUTE MAXIMUM RATINGS (Ta=25°C)

REVERSE VOLTAGE _____ 5V
 REVERSE CURRENT _____ 100µA
 OPERATING TEMPERATURE RANGE _____ -25°C ~ +85°C
 STORAGE TEMPERATURE _____ -30°C ~ +100°C
 LEAD SOLDERING TEMPERATURE(1/16" FROM BODY) _____ 260°C FOR 5 SECONDS

STANDARD TOLERANCE (UNLESS OTHERWISE SPECIFIED)		 4 THOMAS, IRVINE, CA. 92618 TEL: (949) 951-8808 FAX: (949) 951-3974	
DECIMALS	ANGULAR		
		TITLE: FLEXIBLE LIGHT PIPE ADAPTER, VERTICAL, W/LED	
		PART NO: FLPV3-XXX	
DESIGNED: TD. Nguyen	DATE: 04/30/17	REVISION: A	
CHECKED: K. Baron	DATE: 04/30/17	CAGE CODE : 32559	SHEET # 2 OF 2
CAD GENERATED DOCUMENT, DO NOT MEASURE DRAWING.			

X-ON Electronics

Largest Supplier of Electrical and Electronic Components

Click to view similar products for [LED Light Pipes](#) category:

Click to view products by [Bivar](#) manufacturer:

Other Similar products are found below :

[1367627-1](#) [SLP3-300-450-F](#) [SLP3-400-450-R](#) [LPA-C011301S-6](#) [LPF-C011306S](#) [FLP25-1.95](#) [VLP-640-F](#) [LPA-C011301S-5.4](#) [LPA-R051171S-12](#) [LPA-S011331S](#) [515-1027-803F](#) [515-1217F](#) [SLP3-150-300-R](#) [SLP3-500-450-R](#) [515-1064-810F](#) [FLPV-SG](#) [BDL-1187](#) [7511A41](#) [7511A87-500](#) [FLPV-SBC](#) [5151064802F](#) [5151-192-0055-0DF](#) [LPF-R011340S](#) [515-1166-801F](#) [FLPF-6.0](#) [PM4-C1522-3.70](#) [LC-11.25](#) [CLP-1214](#) [515-1064-808F](#) [FLX3_05](#) [515-1192-0025-0DF](#) [HS LC-H-D2/ R2XC1-2 54](#) [515-1192-80-3DF](#) [1282.2600](#) [1296.2004](#) [PBLP-1001-1](#) [SZ1-10.00-A220-F4P54](#) [LC2-4.1](#) [1296.7042](#) [SF4-2.5-F5P](#) [PLP5-2-625-54](#) [FLP25-13.5](#) [1330.1001](#) [1330.1002](#) [1330.1004](#) [1330.1006](#) [1330.1007](#) [1330.1008](#) [1271.2002](#) [1272.0030](#)