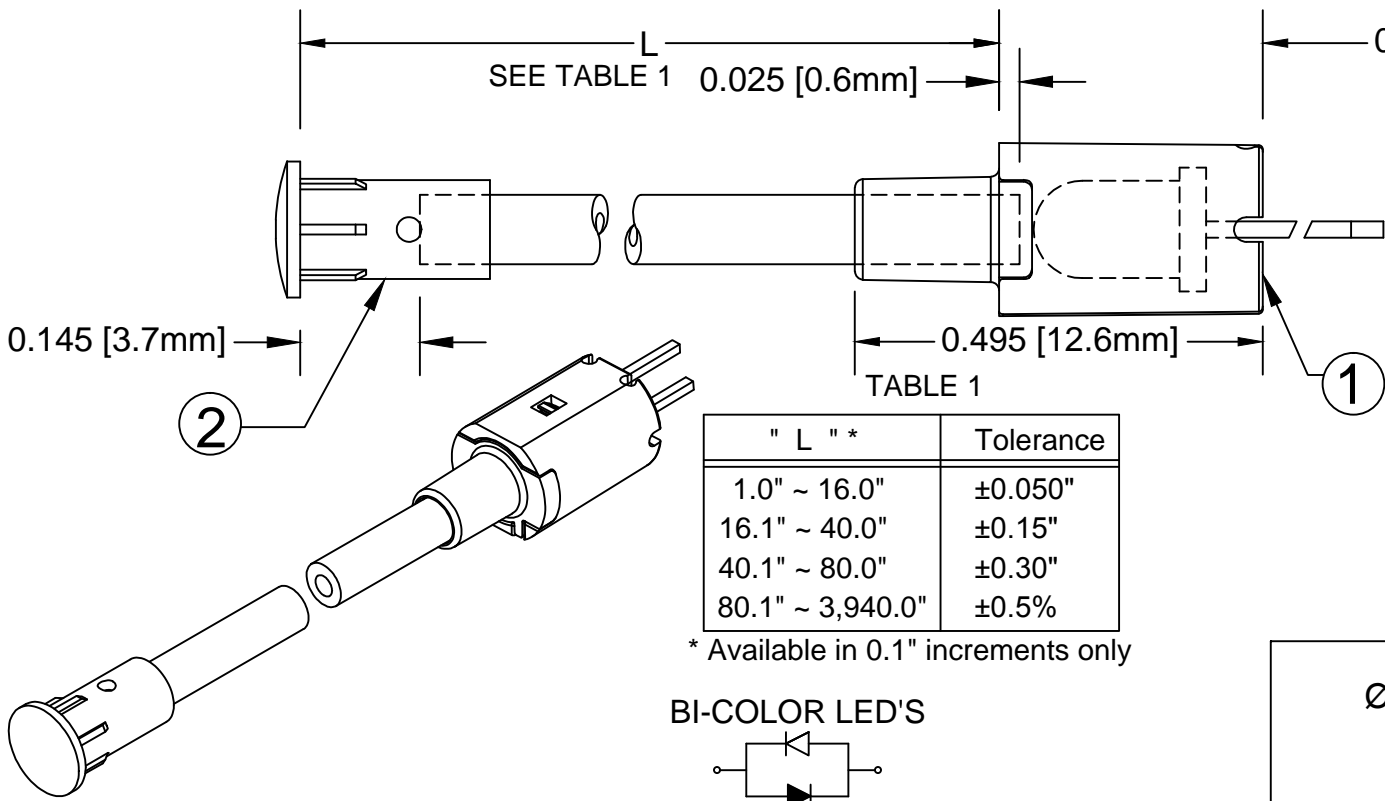


ITEM	Q'TY	PART NUMBER	PART DESCRIPTION
1	1	FLPV-XX	Flexible Light Pipe Adapter, Vertical, w/LED, See page 2 & 3.
2	1	LC-XX.X	Flexible Light Pipe Lens Cap Assembly

REV.	DESCRIPTION	DATE	APPROVED
G	Updated FLPC Hidden View	08/27/08	M. C.
H	Updated White Assy P/N	12/03/10	T. Y.
J	Updated Table For Length "L"	11/14/12	T. Y.
K	Replace 3UWC-0.6K-F With 3UWC1.035C-F	04/08/13	T. Y.
L	Updated LED Optical Characteristics	09/15/15	J. C.
M	Updated LED Tables	08/15/18	M. C.
N	Updated LED Tables	11/13/18	M. C.

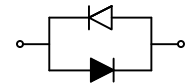
NOTE: FLPV-XX ADAPTER SHIPPED NON-ASSEMBLED



" L " *	Tolerance
1.0" ~ 16.0"	±0.050"
16.1" ~ 40.0"	±0.15"
40.1" ~ 80.0"	±0.30"
80.1" ~ 3,940.0"	±0.5%

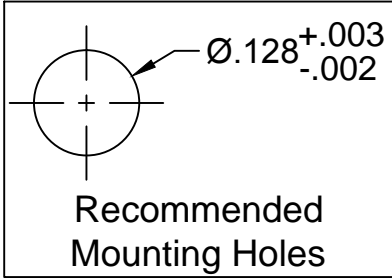
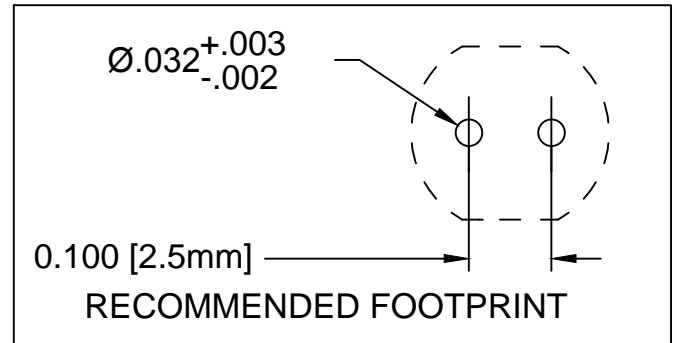
* Available in 0.1" increments only

BI-COLOR LED'S




SHORT LEAD CATHODE	LED PART NO.	LONG LEAD CATHODE
RED	3xBCC-F	GREEN
YELLOW	3BC-Y/G-F	GREEN

 SINGLE COLOR LED
SHORT LEAD CATHODE



ABSOLUTE MAXIMUM RATINGS (Ta=25°C)

REVERSE VOLTAGE _____	5V
REVERSE CURRENT _____	100uA
OPERATING TEMPERATURE RANGE _____	-25° C - 85° C
STORAGE TEMPERATURE _____	-30° C - 100° C
LEAD SOLDERING TEMPERATURE(1/16" FROM BODY) _____	260° C FOR 5 SECONDS

STANDARD TOLERANCE (UNLESS OTHERWISE SPECIFIED)		 BIVAR [®] 4 THOMAS, IRVINE, CA. 92618 TEL: (949) 951-8808 FAX: (949) 951-3974			
DECIMALS	ANGULAR				
.X ±.1	X° ±1°	TITLE: FLEXIBLE LIGHT-PIPE ASSY VERTICAL, 3mm LENS CAP W/LED			
.XX ±.02					
.XXX ±.010		DESIGNED: D. GREEN	DATE: 06/09/03	PART NO: FLPVX.X-XX	REVISION: N
		REVISOR: K. BARON	DATE: 11/13/18	CAGE CODE: 32559	
		CHECKED: TD. NGUYEN	DATE: 11/13/18	SCALE: NONE	SHEET # 1 OF 3
CAD GENERATED DOCUMENT, DO NOT MEASURE DRAWING					

FLEXIBLE LP ASSY Part No.	ADAPTER Part No.	LED Part No.	Peak Wave Length	Emitted Color	Electro-Optical Data @ 20mA		
			λ_p (nm)		Vf (V)		Iv (mcd)
					TYP	MAX	TYP
FLPVX.X-SG	FLPV-SG	3SGC-F	568	SUPER GREEN	2.1	2.8	50
FLPVX.X-SY	FLPV-SY	3SYC-F	590	SUPER YELLOW	2.0	2.8	50
FLPVX.X-SR	FLPV-SR	3SRC-F	645	SUPER RED	1.7	2.4	60
FLPVX.X-UBW.6K	FLPV-UBW.6K	3UBWC-0.6K-F	470	BLUE	4.0	4.5	400
FLPVX.X-UT	FLPV-UT	3UTC-F	500	TURQUOISE	3.5	4.0	800
FLPVX.X-UG	FLPV-UG	3UGC-F	570	GREEN	2.1	2.4	200
FLPVX.X-SUG	FLPV-SUG	3SUGC-F	570	GREEN	2.1	2.4	300
FLPVX.X-UY	FLPV-UY	3UYC-F	590	YELLOW	2.0	2.4	300
FLPVX.X-UR	FLPV-UR	3URC-F	645	RED	1.7	2.4	200
FLPVX.X-SUR	FLPV-SUR	3SURC-F	640	RED	1.8	2.4	200
FLPVX.X-UW.6K	FLPV-UW.6K	3UWC1.035C-F	-	WHITE	3.2	3.6	6000

VISIT WWW.BIVAR.COM FOR CURRENT LED DATASHEETS
LED DETAILS ON DATASHEETS TAKE PRECEDENCE OVER DETAILS SHOWN HERE

FLEXIBLE LIGHT
PIPE SERIES

FLPVX.X - XXX

Emitted Colors

"L" LENGTH, inches
available in 0.1" increments only
e.g. 6.0, 11.5

FLEXIBLE LP ASSY Part No.	Adapter Part No.	LED Part No.	Peak Wave Length λ_p (nm)	Emitted Color	Electro-Optical Data @ 20mA		
					Vf (V)		Iv (mcd)
					TYP	MAX	TYP
FLPVX.X-BC	FLPV-BC	3BCC-F	625	HE RED	2.0	2.8	8
			568	GREEN	2.1	2.8	8
FLPVX.X-SBC	FLPV-SBC	3SBCC-F	645	SUPER RED	1.7	2.4	100
			568	HE GREEN	2.1	2.8	60

VISIT WWW.BIVAR.COM FOR CURRENT LED DATASHEETS
LED DETAILS ON DATASHEETS TAKE PRECEDENCE OVER DETAILS SHOWN HERE

FLEXIBLE LIGHT PIPE SERIES FLPVX.X - XXX

Emitted Colors

"L" LENGTH, inches
available in 0.1" increments only
e.g. 6.0, 11.5

BIVAR [®]	
PART NO: FLPVX.X-XX	REVISION: N
SCALE: NONE	SHEET # 3 OF 3
CAD GENERATED DOCUMENT, DO NOT MEASURE DRAWING	

X-ON Electronics

Largest Supplier of Electrical and Electronic Components

Click to view similar products for [LED Light Pipes](#) category:

Click to view products by [Bivar](#) manufacturer:

Other Similar products are found below :

[1367627-1](#) [SLP3-300-450-F](#) [SLP3-400-450-R](#) [LPA-C011301S-23](#) [LPA-C011301S-6](#) [LPF-C011306S](#) [515-1061-803F](#) [515-1142-170F](#) [515-1155F](#) [VLP-640-F](#) [LMC-034-CTP](#) [LPA-C011301S-5.4](#) [LPA-C041301S-2](#) [LPA-S011331S](#) [LPC_155_CTP](#) [LPC_182_CTP](#) [LPC_190_CTP](#) [515-1001-802F](#) [515-1027-803F](#) [515-1048-801F](#) [515-1142-195F](#) [515-1146F](#) [515-1148F](#) [515-1217F](#) [SLP3-150-300-R](#) [SLP3-500-450-R](#) [515-1058F](#) [515-1064-810F](#) [515-1114-801F](#) [FLPR-SBC](#) [FLPV-SG](#) [FLPR-SG](#) [BDL-1187](#) [7511A41](#) [7511A62V0](#) [7511F2](#) [FLPV-SBC](#) [SLP3-300-250-R](#) [5151064802F](#) [LPF-R011340S](#) [515-1166-801F](#) [FLPF-6.0](#) [SLP3-350-200-F](#) [LC-11.25](#) [CLP-1214](#) [1296.2044](#) [515-1064-808F](#) [FLX3_05](#)
[515-1192-0025-0DF](#) [515-1192-80-3DF](#)