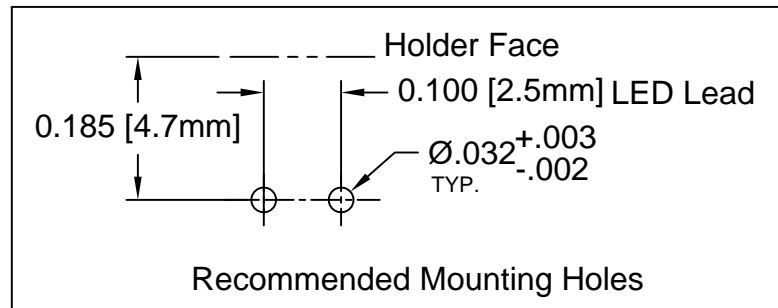
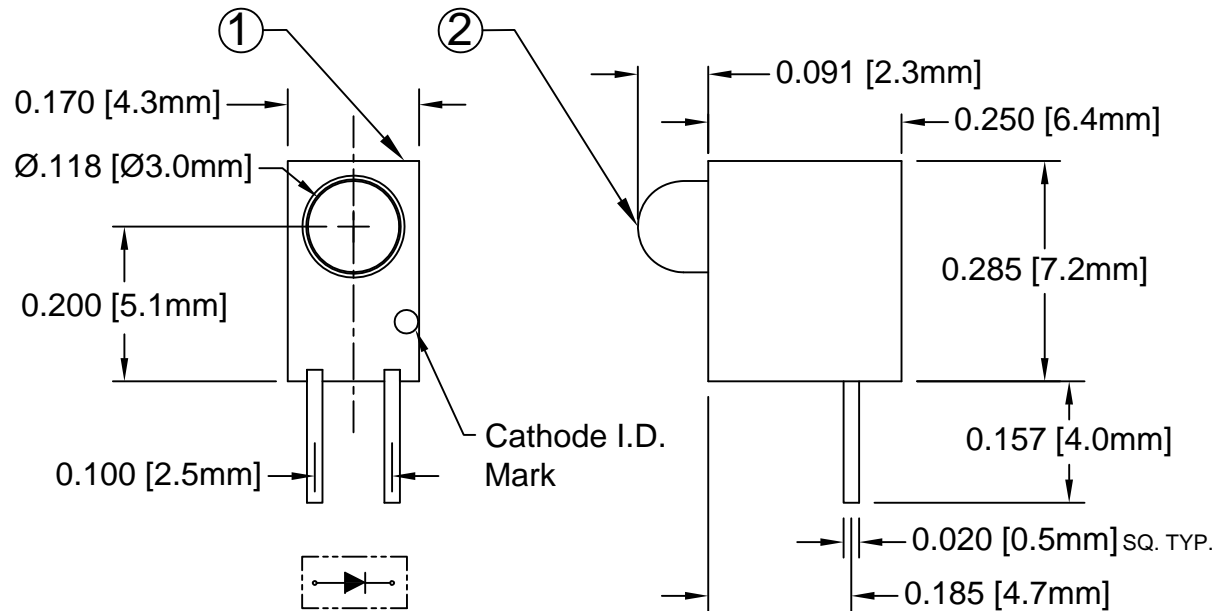


ITEM	Q'TY	PART NUMBER	PART DESCRIPTION
1	1	H-101C	T-1 (3mm) LED Holder, 90° Mount
2	1	3XX-S	T-1 (3mm) N-Flange Shouldered LED, See Page 2 & 3

REV.	DESCRIPTION	DATE	APPROVED
C	Holder Update, Added LEDs	10/04/07	M. C.
D	LED Package Change to 3XX-S LEDs	12/14/07	M. C.
E	Updated LED Specs	10/08/08	M. C.
F	Added Water Clear LED Specs	02/05/09	T. Y.
G	Removed H101CUWC0.6K & H101CUBWC0.6K	04/24/12	T. Y.
H	Engineering Update w/o Changes	06/20/16	J. C.





ABSOLUTE MAXIMUM RATINGS (Ta=25° C)

REVERSE VOLTAGE	_____	5V
REVERSE CURRENT	_____	100uA
OPERATING TEMPERATURE RANGE	_____	-25° C - 85° C
STORAGE TEMPERATURE	_____	-30° C - 100° C
LEAD SOLDERING TEMPERATURE(1/16" FROM BODY)	_____	260° C FOR 5 SECONDS

STANDARD TOLERANCE (UNLESS OTHERWISE SPECIFIED)		BIVAR®	
DECIMALS	ANGULAR	4 THOMAS, IRVINE, CA. 92618 TEL: (949) 951-8808 FAX: (949) 951-3974	
.X ± .1	X° ± 1°	TITLE: T-1 (3MM) 90° SINGLE-LEVEL LED ASSEMBLY PART NO: H101CXX REVISION: H	
.XX ± .02			
.XXX ± .010			
DESIGNED: T. Yin	DATE: 03/05/04	CAGE CODE : 32559	SHEET # 1 OF 3
CHECKED: D. Green	DATE: 03/05/04	CAD GENERATED DOCUMENT. DO NOT MEASURE DRAWING.	

REV.	DESCRIPTION	DATE	APPROVED
	SEE SHEET #1		


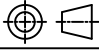
LED Assy. No.	Peak Wave Length λ_p (nm)	Emitted Color	Lens Appearance	Electro-Optical Data				Viewing Angle $2\theta \frac{1}{2}$ (Deg)	LED P/N
				If (mA)	Vf (V)		Iv (mcd)		
				TYP	TYP	MAX	TYP		
STANDARD				Data @ 20mA					
H101CBWD	430	BLUE	DIFFUSED	20	4.0	4.5	10	40	3BWD-S
H101CBWC	430	BLUE	WATER CLEAR	20	4.0	4.5	25	30	3BWC-S
H101CGD	568	GREEN	DIFFUSED	20	2.1	2.8	25	40	3GD-S
H101CGC	568	GREEN	WATER CLEAR	20	2.1	2.8	40	30	3GC-S
H101CYD	590	YELLOW	DIFFUSED	20	2.0	2.8	20	40	3YD-S
H101CYC	590	YELLOW	WATER CLEAR	20	2.0	2.8	40	30	3YC-S
H101CHD	625	HE RED	DIFFUSED	20	2.0	2.8	30	40	3HD-S
H101CHC	625	HE RED	WATER CLEAR	20	2.0	2.8	50	30	3HC-S
H101CRD	700	RED	DIFFUSED	20	2.1	2.8	2	40	3RD-S
H101CRC	700	RED	WATER CLEAR	20	2.1	2.8	3	30	3RC-S
LOW CURRENT				Data @ 2mA					
H101CGDL	568	GREEN	DIFFUSED	2	2.1	2.6	2	40	3GDL-S
H101CYDL	590	YELLOW	DIFFUSED	2	2.0	2.6	2	40	3YDL-S
H101CHDL	625	HE RED	DIFFUSED	2	2.0	2.6	3	40	3HDL-S
H101CRDL	700	RED	DIFFUSED	2	2.1	2.6	1	40	3RDL-S
5 VOLT				Data @ 5V					
H101CGD5V	568	GREEN	DIFFUSED	8	-	5.0	25	40	3GD5V-S
H101CYD5V	590	YELLOW	DIFFUSED	8	-	5.0	20	40	3YD5V-S
H101CHD5V	625	HE RED	DIFFUSED	8	-	5.0	30	40	3HD5V-S

STANDARD TOLERANCE (UNLESS OTHERWISE SPECIFIED) $\pm 10\%$ ALL VALUES ANGULAR		 4 THOMAS, IRVINE, CA. 92618 TEL: (949) 951-8808 FAX: (949) 951-3974	
			
DESIGNED: T. Yin	DATE: 03/05/04	PART NO: H101CXX	REVISION: H
CHECKED: D. Green	DATE: 03/05/04	CAGE CODE : 32559	SHEET # 2 OF 3
CAD GENERATED DOCUMENT. DO NOT MEASURE DRAWING.			

REV.	DESCRIPTION	DATE	APPROVED
	SEE SHEET #1		

LED Assy. No.	Peak Wave Length λ_p (nm)	Emitted Color	Lens Appearance	Electro-Optical Data @ 20mA			Viewing Angle $2\theta_{1/2}$ (Deg)	LED P/N	
				If (mA)	Vf (V)				Iv (mcd)
				TYP	TYP	MAX			TYP
H101CBWD0.245	470	BLUE	DIFFUSED	20	4.0	4.5	200	40	3BWD0.245-S
H101CUTC	500	TURQUOISE	WATER CLEAR	20	3.5	4.0	800	30	3UTC-S
H101CEGC2.030	525	GREEN	WATER CLEAR	20	4.0	4.5	2500	30	3EGC2.030-S
H101CUGC	570	GREEN	WATER CLEAR	20	2.1	2.4	200	30	3UGC-S
H101CSUGC	570	GREEN	WATER CLEAR	20	2.1	2.4	300	30	3SUGC-S
H101CUYC	590	YELLOW	WATER CLEAR	20	2.0	2.4	300	30	3UYC-S
H101CSUYC	590	YELLOW	WATER CLEAR	20	2.0	2.4	400	30	3SUYC-S
H101CUUYC	590	YELLOW	WATER CLEAR	20	2.0	2.4	600	30	3UUYC-S
H101CUOC	625	ORANGE	WATER CLEAR	20	1.8	2.4	300	30	3UOC-S
H101CSUOC	625	ORANGE	WATER CLEAR	20	1.8	2.4	400	30	3SUOC-S
H101CURC	645	RED	WATER CLEAR	20	1.7	2.4	200	30	3URC-S
H101CSURC	640	RED	WATER CLEAR	20	1.8	2.4	200	30	3SURC-S
H101CSRD	645	RED	DIFFUSED	20	1.7	2.4	40	40	3SRD-S

LED Assy. No.	Chromaticity Coordinates	Emitted Color	Lens Appearance	Electro-Optical Data @ 20mA			Viewing Angle $2\theta_{1/2}$ (Deg)	LED P/N	
				If (mA)	Vf (V)				Iv (mcd)
				TYP	TYP	MAX			TYP
H101CUWC1.530	X=.3, Y=.31	WHITE	WATER CLEAR	20	3.2	3.8	2000	30	3UWC1.530-S

STANDARD TOLERANCE (UNLESS OTHERWISE SPECIFIED) $\pm 10\%$ ALL VALUES ANGULAR		 4 THOMAS, IRVINE, CA. 92618 TEL: (949) 951-8808 FAX: (949) 951-3974	
			
DESIGNED: T. Yin	DATE: 03/05/04	TITLE: T-1 (3MM) 90° SINGLE-LEVEL LED ASSEMBLY	
CHECKED: D. Green	DATE: 03/05/04	PART NO: H101CXX REVISION: H	
		CAGE CODE : 32559 SHEET # 3 OF 3	
CAD GENERATED DOCUMENT. DO NOT MEASURE DRAWING.			

X-ON Electronics

Largest Supplier of Electrical and Electronic Components

Click to view similar products for [LED Circuit Board Indicators](#) category:

Click to view products by [Bivar](#) manufacturer:

Other Similar products are found below :

[568-0200-132F](#) [568-0701-841F](#) [568-0734-832F](#) [569-0312-300F](#) [591-2001-107F](#) [592-2222-302F](#) [592-2424-302F](#) [LTL-4221NH129](#) [LTL-42DGNMHDP1](#) [LTM-260-5HT](#) [H131CSRT-120](#) [HLMP1503108F](#) [HLMP1521101](#) [HLMP1523802F](#) [HLMP1700101F](#) [HLMP1700104F](#) [HLMP1790105F](#) [BHA-1564-G](#) [SMF-HM1530YD-305](#) [SSF-LXH103SUGD-04](#) [AM2520EHSGD](#) [HLMP1301104F](#) [HLMP1385101F](#) [HLMP1421101](#) [HLMP1503103F](#) [HLMP1503104F](#) [HLMP1700102F](#) [HLMP1700106F](#) [HLMP1700107F](#) [HLMP1790101F](#) [HLMP1790103F](#) [LTL-4211NHBP](#) [5320F7](#) [5330H7](#) [5350T7](#) [5352T1-5VLC](#) [5352T5-5VLC](#) [5370T7LC](#) [550-1112F](#) [550-3107-010F](#) [551-0206-003F](#) [551-0207-815F](#) [551-0212-801F](#) [551-2802F](#) [552-0794-810F](#) [552-0821F](#) [552-6033-200F](#) [553-0001-808F](#) [553-0122-818F](#) [553-0171F](#)