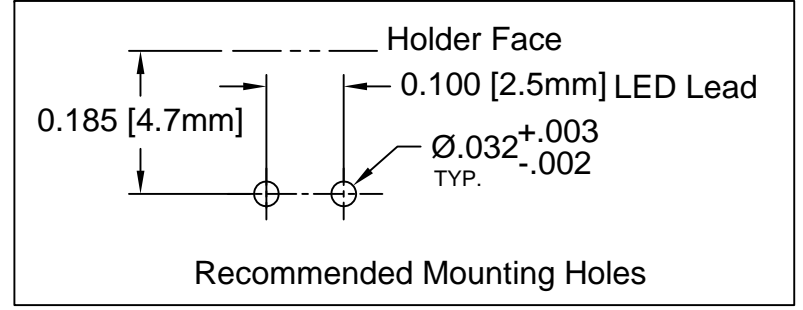
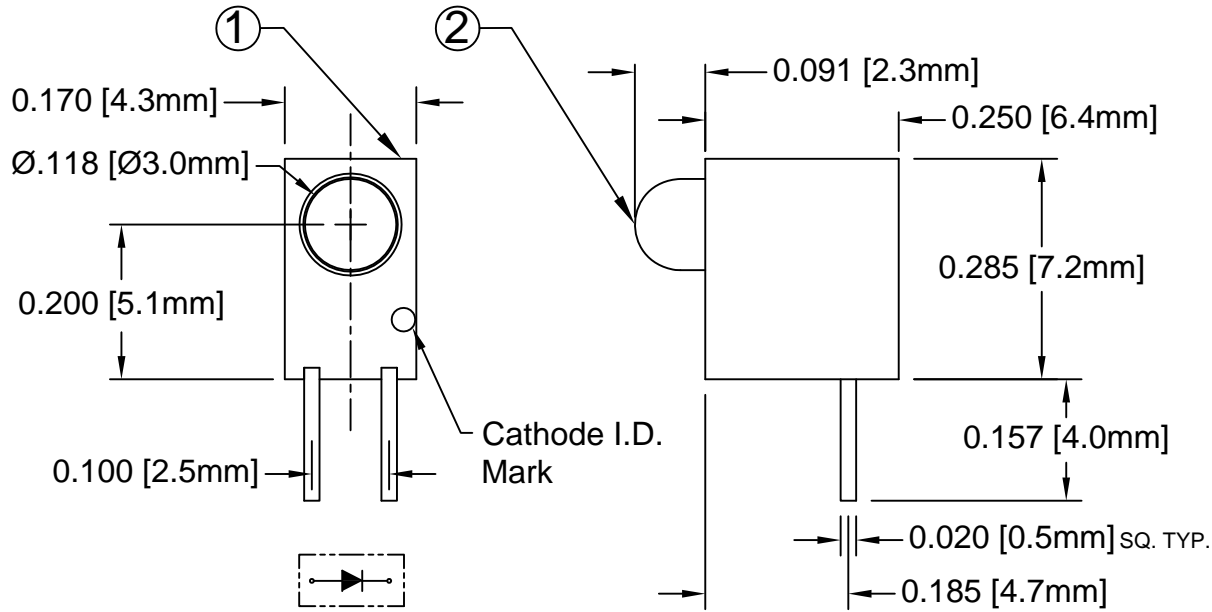


| ITEM | Q'TY | PART NUMBER | PART DESCRIPTION |
|------|------|-------------|--|
| 1 | 1 | H-101C | T-1 (3mm) LED Holder 90° Mount, Single-Station |
| 2 | 1 | 3SRC-S | T-1 (3mm) Shouldered LED |

| REV. | DESCRIPTION | DATE | APPROVED |
|------|--------------------------------|----------|----------|
| A | Engineering Release | 01/08/03 | M. C. |
| B | LED Specification Upgrade | 08/14/08 | M. C. |
| C | Engineering Update w/o Changes | 06/20/16 | J. C. |
| | | | |
| | | | |



| LED P/N | Chip | | Lens Appearance | Absolute Max. Ratings | | | | Electro-Optical Data @ 20mA | | | Viewing Angle (Deg) |
|---------|---------------|----------------------------------|-----------------|-----------------------|---------|---------|--------------|-----------------------------|-----|----------|---------------------|
| | Emitted Color | Peak Wavelength λ_p (nm) | | $\Delta\lambda$ (nm) | Pd (mW) | If (mA) | Peak If (mA) | Vf (V) | | Iv (mcd) | |
| | | | | | | | | TYP | MAX | TYP | |
| 3SRC-S | SUPER RED | 645 | WATER CLEAR | - | 70 | 20 | 150 | 1.7 | 2.4 | 60 | 30 |

ABSOLUTE MAXIMUM RATINGS (Ta=25° C)

REVERSE VOLTAGE _____ 5V
 REVERSE CURRENT _____ 100uA
 OPERATING TEMPERATURE RANGE _____ -25° C - 85° C
 STORAGE TEMPERATURE _____ -30° C - 100° C
 LEAD SOLDERING TEMPERATURE(1/16" FROM BODY) _____ 260° C FOR 5 SECONDS

| | | | |
|--|--------------------------|--|--|
| STANDARD TOLERANCE (UNLESS OTHERWISE SPECIFIED) | | 4 THOMAS, IRVINE, CA. 92618 TEL: (949) 951-8808 FAX: (949) 951-3974 | |
| DECIMALS | ANGULAR | | |
| .X ±.1 | X° ±1° | | TITLE: T-1 (3MM) 90° SINGLE-LEVEL LED ASSEMBLY |
| .XX ±.02 | | | |
| .XXX ±.010 | | | |
| DESIGNED: D. Green | DATE: 01/08/03 | PART NO: H101CSRC | |
| CHECKED: M. Chen | DATE: 01/08/03 | REVISION: C | |
| | | CAGE CODE : 32559 SHEET # 1 OF 1 | |
| CAD GENERATED DOCUMENT. DO NOT MEASURE DRAWING. | | | |

X-ON Electronics

Largest Supplier of Electrical and Electronic Components

Click to view similar products for [LED Circuit Board Indicators](#) category:

Click to view products by [Bivar](#) manufacturer:

Other Similar products are found below :

[568-0701-841F](#) [LTL-4221NH129](#) [LTL-42DGNMHDP1](#) [HLMP1521101](#) [HLMP1523802F](#) [HLMP1700101F](#) [HLMP1700104F](#) [SMF-HM1530YD-305](#) [SSF-LXH409SYSUGW](#) [AM2520EHSGD](#) [HLMP1301104F](#) [HLMP1385101F](#) [HLMP1421101](#) [HLMP1503103F](#) [HLMP1503104F](#) [HLMP1700102F](#) [HLMP1700106F](#) [HLMP1700107F](#) [HLMP1790101F](#) [HLMP1790103F](#) [LTL-4211NHBP](#) [5390H3](#) [551-2802F](#) [552-0794-810F](#) [553-0222-812F](#) [HT3-BC-T](#) [564-0700-831F](#) [WP59BLGEW](#) [103-3101-1231-403](#) [5502407811F](#) [550-3007-810F](#) [551-3307MF](#) [552080-1](#) [573-2399-100F](#) [5932-927-2701-3F](#) [SMF-HM1530SRD-509](#) [SSF-LXH100MID](#) [SSF-LXH2103SRSDRP](#) [SSF-LXH555USBW](#) [WP937SB/4YGW](#) [WP937EB2EGW](#) [551-0312-802F](#) [553-0110-802F](#) [561-5501-050F](#) [6202T3-5VLC](#) [LTL-307G08A-D](#) [CMD57164](#) [568-2231-313F](#) [568-0102-809F](#) [568-0102-808F](#)