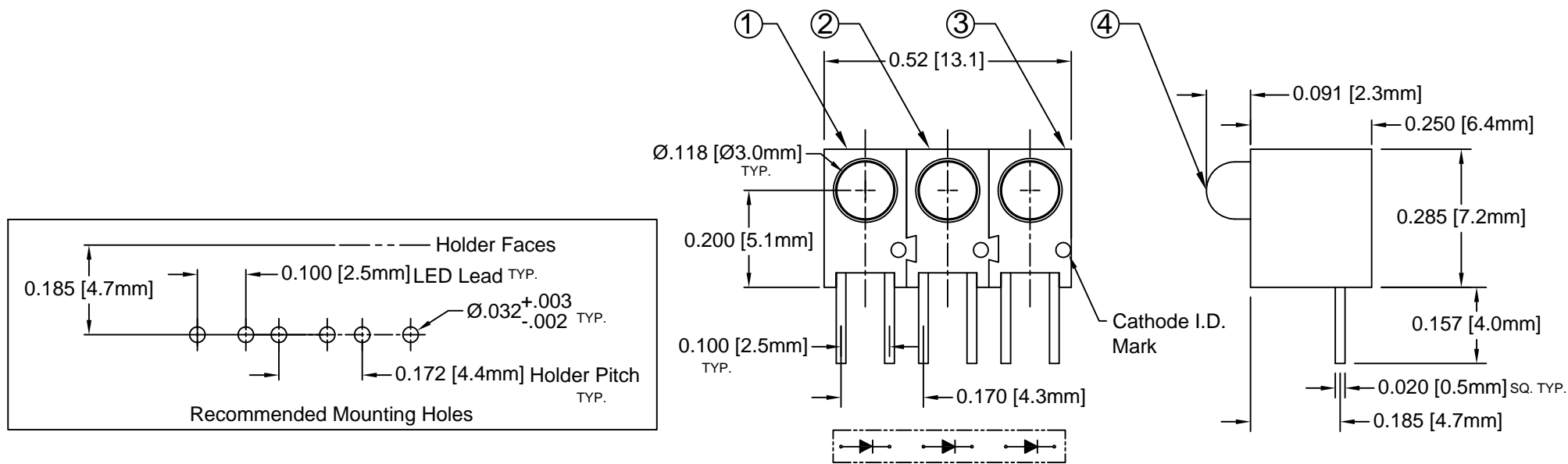


ITEM	Q'TY	PART NUMBER	PART DESCRIPTION
1	1	H-102C	T-1 (3mm) LED Holder, 90° Mount, Interlocking Left End
2	1	H-100C	T-1 (3mm) LED Holder, 90° Mount, Interlocking Center
3	1	H-103C	T-1 (3mm) LED Holder, 90° Mount, Interlocking Right End
4	3	3GD-S	T-1 (3mm) N-Flange LED

REV.	DESCRIPTION	DATE	APPROVED
A	Engineering Release	09/08/03	M. C.
B	Updated Template	08/16/07	M. C.
C	LED Update	10/17/11	T. Y.
D	Engineering Update w/o Changes	06/20/16	J. C.



LED Part No.	Chip			Lens Appearance	Absolute Max. Ratings				Electro-Optical Data @ 20mA			Viewing Angle 2 Θ _{1/2} (Deg)
	Material	Peak Wave Length λ _p (nm)	Emitted Color		Δλ (nm)	Pd (mW)	I _f (mA)	Peak I _f (mA)	V _f (V)		I _v (mcd)	
									TYP	MAX	TYP	
3GD-S	GaP/GaP	568	GREEN	DIFFUSED	-	80	30	150	2.1	2.8	25.0	40

ABSOLUTE MAXIMUM RATINGS (Ta = 25°C)

REVERSE VOLTAGE _____ 5V
 REVERSE CURRENT (VR=5V) _____ 100μA
 OPERATING TEMPERATURE RANGE _____ -25°C ~ 85°C
 STORAGE TEMPERATURE _____ -30°C ~ 100°C
 LEAD SOLDERING TEMPERATURE (1/16" FROM BODY) _____ 260°C for 5 Seconds

STANDARD TOLERANCE (UNLESS OTHERWISE SPECIFIED)		 4 THOMAS, IRVINE, CA. 92618 TEL: (949) 951-8808 FAX: (949) 951-3974	
DECIMALS	ANGULAR		
.X ± .1	X° ± 1°		
.XX ± .02		 TITLE: T-1 (3mm) TRI-STATION ASSEMBLY	
.XXX ± .010			
DESIGNED: D. Green	DATE: 09/08/03	PART NO: H103CGD	REVISION: D
CHECKED: M. Chen	DATE: 09/08/03	CAGE CODE : 32559	SHEET # 1 OF 1
CAD GENERATED DOCUMENT. DO NOT MEASURE DRAWING.			

X-ON Electronics

Largest Supplier of Electrical and Electronic Components

Click to view similar products for [LED Circuit Board Indicators](#) category:

Click to view products by [Bivar](#) manufacturer:

Other Similar products are found below :

[568-0701-841F](#) [LTL-4221NH129](#) [LTL-42DGNMHDP1](#) [HLMP1521101](#) [HLMP1523802F](#) [HLMP1700101F](#) [HLMP1700104F](#) [SMF-HM1530YD-305](#) [SSF-LXH409SYSUGW](#) [AM2520EHSGD](#) [HLMP1301104F](#) [HLMP1385101F](#) [HLMP1421101](#) [HLMP1503103F](#) [HLMP1503104F](#) [HLMP1700102F](#) [HLMP1700106F](#) [HLMP1700107F](#) [HLMP1790101F](#) [HLMP1790103F](#) [LTL-4211NHBP](#) [5390H3](#) [551-2802F](#) [552-0794-810F](#) [553-0222-812F](#) [HT3-BC-T](#) [564-0700-831F](#) [WP59BLGEW](#) [103-3101-1231-403](#) [5502407811F](#) [550-3007-810F](#) [551-3307MF](#) [552080-1](#) [573-2399-100F](#) [5932-927-2701-3F](#) [SMF-HM1530SRD-509](#) [SSF-LXH100MID](#) [SSF-LXH2103SRSDRP](#) [SSF-LXH555USBW](#) [WP937SB/4YGW](#) [WP937EB2EGW](#) [551-0312-802F](#) [553-0110-802F](#) [561-5501-050F](#) [6202T3-5VLC](#) [LTL-307G08A-D](#) [CMD57164](#) [568-2231-313F](#) [568-0102-809F](#) [568-0102-808F](#)