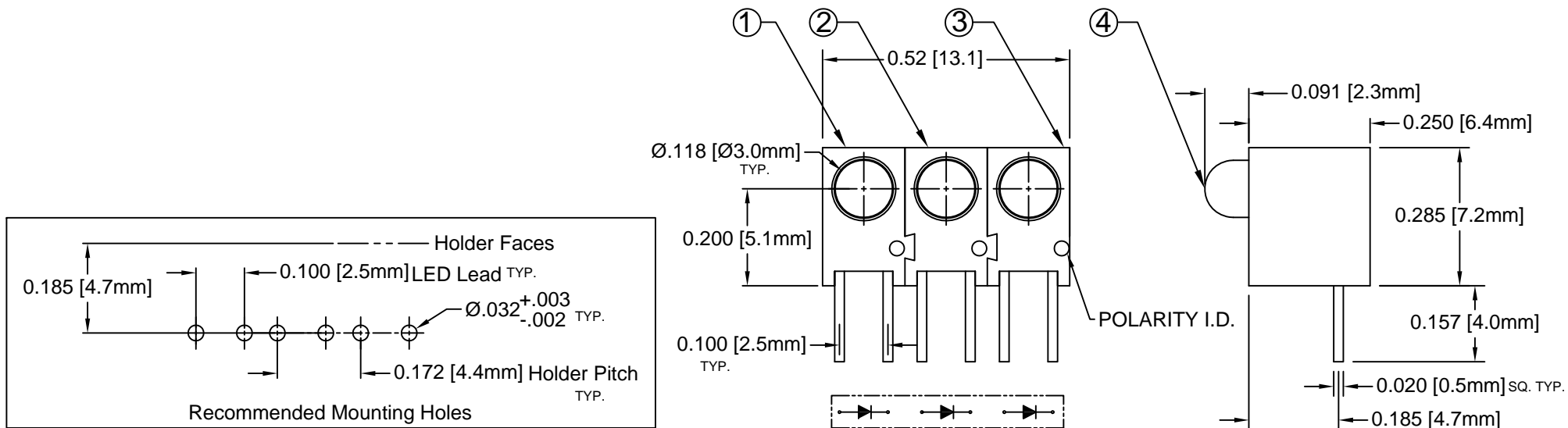


ITEM	Q'TY	PART NUMBER	PART DESCRIPTION
1	1	H-102C	T1 (3mm) LED Holder, 90° Mount, Interlocking Left End
2	1	H-100C	T1 (3mm) LED Holder, 90° Mount, Interlocking Center
3	1	H-103C	T1 (3mm) LED Holder, 90° Mount, Interlocking Right End
4	3	3GDL-S	T1 (3mm) Shouldered LED, Green Diffused, Low Current

REV.	DESCRIPTION	DATE	APPROVED
A	Engineering Release	12/18/01	M. C.
B	Engineering Update, Corrected View From Single to Triple Station	09/28/04	M. C.
C	LED Update	02/25/10	T. Y.
D	Engineering Update w/o Changes	06/20/16	J. C.



LED Part No.	Chip			Lens Appearance	Absolute Max. Ratings				Electro-Optical Data @ 2mA			Viewing Angle 2 $\theta_{1/2}$ (Deg)
	Material	Peak Wave Length $\lambda_p$ (nm)	Emitted Color		$\Delta\lambda$ (nm)	Pd (mW)	If (mA)	Peak If (mA)	Vf (V)		Iv (mcd)	
									TYP	MAX	TYP	
3GDL-S	GaP/GaP	568	GREEN	DIFFUSED	-	10	7	-	2.1	2.6	2	40

## ABSOLUTE MAXIMUM RATINGS (Ta = 25°C)

REVERSE VOLTAGE	_____	5V
REVERSE CURRENT (VR=5V)	_____	100 $\mu$ A
OPERATING TEMPERATURE RANGE	_____	-25°C ~ 85°C
STORAGE TEMPERATURE	_____	-30°C ~ 100°C
LEAD SOLDERING TEMPERATURE (1/16" FROM BODY)	_____	260°C for 5 Seconds

STANDARD TOLERANCE (UNLESS OTHERWISE SPECIFIED)		BIVAR®	
DECIMALS	ANGULAR	4 THOMAS, IRVINE, CA. 92618 TEL: (949) 951-8808 FAX: (949) 951-3974	
.X $\pm .1$	X° $\pm 1^\circ$	<b>TITLE:</b> T1 (3mm) TRI-STATION ASSEMBLY <b>PART NO:</b> H103CGDL <b>REVISION:</b> D	
.XX $\pm .02$			
.XXX $\pm .010$			
DESIGNED: <b>S. Irving</b>	DATE: <b>12/18/01</b>	<b>CAGE CODE :</b> 32559 <b>SHEET #</b> 1 <b>OF</b> 1 CAD GENERATED DOCUMENT. DO NOT MEASURE DRAWING.	
CHECKED: <b>M. Chen</b>	DATE: <b>12/18/01</b>		

## X-ON Electronics

Largest Supplier of Electrical and Electronic Components

*Click to view similar products for [LED Circuit Board Indicators](#) category:*

*Click to view products by [Bivar](#) manufacturer:*

Other Similar products are found below :

[568-0701-841F](#) [LTL-4221NH129](#) [LTL-42DGNMHDP1](#) [HLMP1521101](#) [HLMP1523802F](#) [HLMP1700101F](#) [HLMP1700104F](#) [SMF-HM1530YD-305](#) [SSF-LXH409SYSUGW](#) [AM2520EHSGD](#) [HLMP1301104F](#) [HLMP1385101F](#) [HLMP1421101](#) [HLMP1503103F](#) [HLMP1503104F](#) [HLMP1700102F](#) [HLMP1700106F](#) [HLMP1700107F](#) [HLMP1790101F](#) [HLMP1790103F](#) [LTL-4211NHBP](#) [5390H3](#) [551-2802F](#) [552-0794-810F](#) [553-0222-812F](#) [HT3-BC-T](#) [564-0700-831F](#) [WP59BLGEW](#) [103-3101-1231-403](#) [5502407811F](#) [550-3007-810F](#) [551-3307MF](#) [552080-1](#) [573-2399-100F](#) [5932-927-2701-3F](#) [SMF-HM1530SRD-509](#) [SSF-LXH100MID](#) [SSF-LXH2103SRSDRP](#) [SSF-LXH555USBW](#) [WP937SB/4YGW](#) [WP937EB2EGW](#) [551-0312-802F](#) [553-0110-802F](#) [561-5501-050F](#) [6202T3-5VLC](#) [LTL-307G08A-D](#) [CMD57164](#) [568-2231-313F](#) [568-0102-809F](#) [568-0102-808F](#)