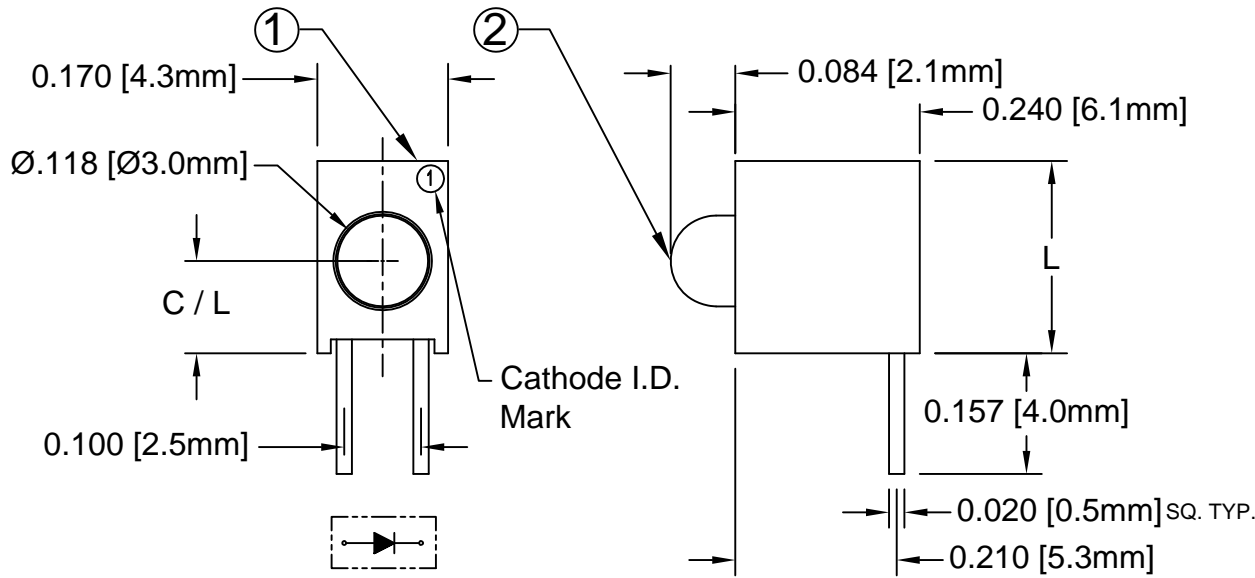
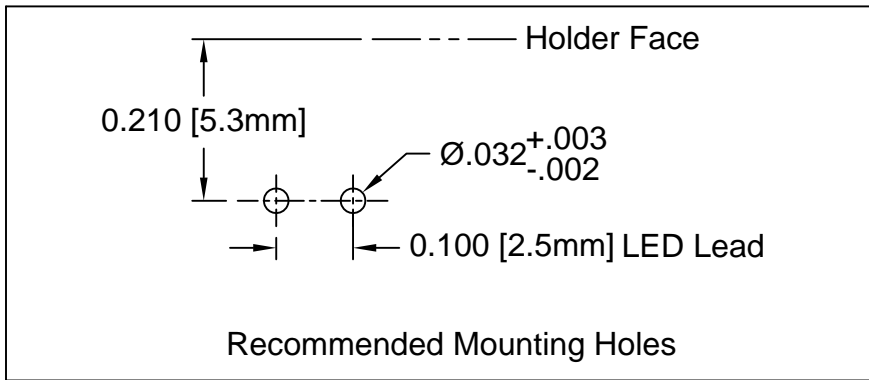


ITEM	Q'TY	PART NUMBER	PART DESCRIPTION
1	1	H-131C-1-XXX	T-1 (3mm) LED Holder, 90° Mount, Var. C/L
2	1	3XX-S	T-1 (3mm) N-Flange Shouldered LED, See Page 2

REV.	DESCRIPTION	DATE	APPROVED
E	Corrected Page 2	12/14/07	M. C.
F	Updated H131CRDL-XXX Spec, Page 2	05/01/08	M. C.
G	Added H131CSRT-XXX Spec, Page 2	01/27/09	T. Y.
H	Added Assembly Specs, Page2	03/11/10	T. Y.
J	Engineering Update w/o Changes	06/20/16	J. C.



EXAMPLE:
H131CRD-160*
 Centerline "C/L"
 LED Color & Lens Appearance.
 Omit 3 when ordering.
 Series * XXX = Centerline "C/L"



Available Centerlines		
XXX	C/L	L
120	.120 (3.0)	.250 (6.4)
140	.140 (3.6)	.270 (6.9)
160	.160 (4.1)	.290 (7.4)
180	.180 (4.6)	.310 (7.9)


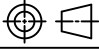
ABSOLUTE MAXIMUM RATINGS (Ta=25° C)

REVERSE VOLTAGE _____ 5V
 REVERSE CURRENT _____ 100uA
 OPERATING TEMPERATURE RANGE _____ -25° C - 85° C
 STORAGE TEMPERATURE _____ -30° C - 100° C
 LEAD SOLDERING TEMPERATURE(1/16" FROM BODY) _____ 260° C FOR 5 SECONDS

STANDARD TOLERANCE (UNLESS OTHERWISE SPECIFIED)		 4 THOMAS, IRVINE, CA. 92618 TEL: (949) 951-8808 FAX: (949) 951-3974	
DECIMALS	ANGULAR		
.X ± .1	X° ± 1°	 TITLE: T-1 (3MM) 90° SINGLE-LEVEL VAR. C/L LED ASSY	
.XX ± .02			
.XXX ± .010			
DESIGNED: D. Green	DATE: 06/11/03	PART NO: H131CXX-XXX	REVISION: J
CHECKED: M. Chen	DATE: 06/11/03	CAGE CODE : 32559	SHEET # 1 OF 2
CAD GENERATED DOCUMENT. DO NOT MEASURE DRAWING.			

REV.	DESCRIPTION	DATE	APPROVED
	SEE SHEET #1		

LED Assy. No.	Peak Wave Length λ_p (nm)	Emitted Color	Lens Appearance	Electro-Optical Data				Viewing Angle $2\theta_{1/2}$ (Deg)	LED P/N
				If (mA)	Vf (V)		Iv (mcd)		
				TYP	TYP	MAX	TYP		
STANDARD				Data @ 20mA					
H131CBWD-XXX	430	BLUE	DIFFUSED	20	4.0	4.5	10	40	3BWD-S
H131CGD-XXX	568	GREEN	DIFFUSED	20	2.1	2.8	25	40	3GD-S
H131CSGD-XXX	568	SUPER GREEN	DIFFUSED	20	2.1	2.8	30	40	3SGD-S
H131CSGT-XXX	568	SUPER GREEN	TINTED	20	2.1	2.8	50	30	3SGT-S
H131CYD-XXX	590	YELLOW	DIFFUSED	20	2.0	2.8	20	40	3YD-S
H131CSYD-XXX	590	SUPER YELLOW	DIFFUSED	20	2.0	2.8	30	40	3SYD-S
H131CHD-XXX	625	HE RED	DIFFUSED	20	2.0	2.8	30	40	3HD-S
H131CRD-XXX	700	RED	DIFFUSED	20	2.1	2.8	2	40	3RD-S
H131CSR-XXX	645	SUPER RED	DIFFUSED	20	1.7	2.4	40	40	3SRD-S
H131CSRT-XXX	645	SUPER RED	TINTED	20	1.7	2.4	60	30	3SRT-S
LOW CURRENT				Data @ 2mA					
H131CACL-XXX	610	AMBER	WATER CLEAR	2	1.9	2.2	11.5	30	3ACL-S
H131CBWCL-XXX	430	BLUE	WATER CLEAR	2	3.5	4.0	10	30	3BWCL-S
H131CGCL-XXX	568	GREEN	WATER CLEAR	2	2.1	2.6	4	30	3GCL-S
H131CHCL-XXX	625	HE RED	WATER CLEAR	2	2.0	2.6	4	30	3HCL-S
H131CPGCL-XXX	555	PURE GREEN	WATER CLEAR	2	2.1	2.6	1	30	3PGCL-S
H131CRCL-XXX	655	RED	WATER CLEAR	2	1.9	2.2	1.9	30	3RCL-S
H131CYCL-XXX	590	YELLOW	WATER CLEAR	2	2.0	2.6	4	30	3YCL-S
H131CGDL-XXX	568	GREEN	DIFFUSED	2	2.1	2.6	2	40	3GDL-S
H131CYDL-XXX	590	YELLOW	DIFFUSED	2	2.0	2.6	2	40	3YDL-S
H131CHDL-XXX	625	HE RED	DIFFUSED	2	2.0	2.6	2.5	40	3HDL-S
H131CRDL-XXX	700	RED	DIFFUSED	2	2.1	2.6	0.5	40	3RDL-S
5 VOLT				Data @ 5V					
H131CGD5V-XXX	568	GREEN	DIFFUSED	8	-	5.0	25	40	3GD5V-S
H131CYD5V-XXX	590	YELLOW	DIFFUSED	8	-	5.0	20	40	3YD5V-S
H131CHD5V-XXX	625	HE RED	DIFFUSED	8	-	5.0	30	40	3HD5V-S

STANDARD TOLERANCE (UNLESS OTHERWISE SPECIFIED) $\pm 10\%$ ALL VALUES ANGULAR		 BIVAR [®] 4 THOMAS, IRVINE, CA. 92618 TEL: (949) 951-8808 FAX: (949) 951-3974		
				TITLE: T-1 (3MM) 90° SINGLE-LEVEL VAR. C/L LED ASSY
DESIGNED: D. Green	DATE: 06/11/03	PART NO: H131CXX-XXX		REVISION: J
CHECKED: M. Chen	DATE: 06/11/03	CAGE CODE : 32559		SHEET # 2 OF 2
CAD GENERATED DOCUMENT. DO NOT MEASURE DRAWING.				

X-ON Electronics

Largest Supplier of Electrical and Electronic Components

Click to view similar products for [LED Circuit Board Indicators](#) category:

Click to view products by [Bivar](#) manufacturer:

Other Similar products are found below :

[568-0701-841F](#) [LTL-4221NH129](#) [LTL-42DGNMHDP1](#) [HLMP1521101](#) [HLMP1523802F](#) [HLMP1700101F](#) [HLMP1700104F](#) [SMF-HM1530YD-305](#) [SSF-LXH409SYSUGW](#) [AM2520EHSGD](#) [HLMP1301104F](#) [HLMP1385101F](#) [HLMP1421101](#) [HLMP1503103F](#) [HLMP1503104F](#) [HLMP1700102F](#) [HLMP1700106F](#) [HLMP1700107F](#) [HLMP1790101F](#) [HLMP1790103F](#) [LTL-4211NHBP](#) [5390H3](#) [551-2802F](#) [552-0794-810F](#) [553-0222-812F](#) [HT3-BC-T](#) [564-0700-831F](#) [WP59BLGEW](#) [103-3101-1231-403](#) [5502407811F](#) [550-3007-810F](#) [551-3307MF](#) [552080-1](#) [573-2399-100F](#) [5932-927-2701-3F](#) [SMF-HM1530SRD-509](#) [SSF-LXH100MID](#) [SSF-LXH2103SRSDRP](#) [SSF-LXH555USBW](#) [WP937SB/4YGW](#) [WP937EB2EGW](#) [551-0312-802F](#) [553-0110-802F](#) [561-5501-050F](#) [6202T3-5VLC](#) [LTL-307G08A-D](#) [CMD57164](#) [568-2231-313F](#) [568-0102-809F](#) [568-0102-808F](#)