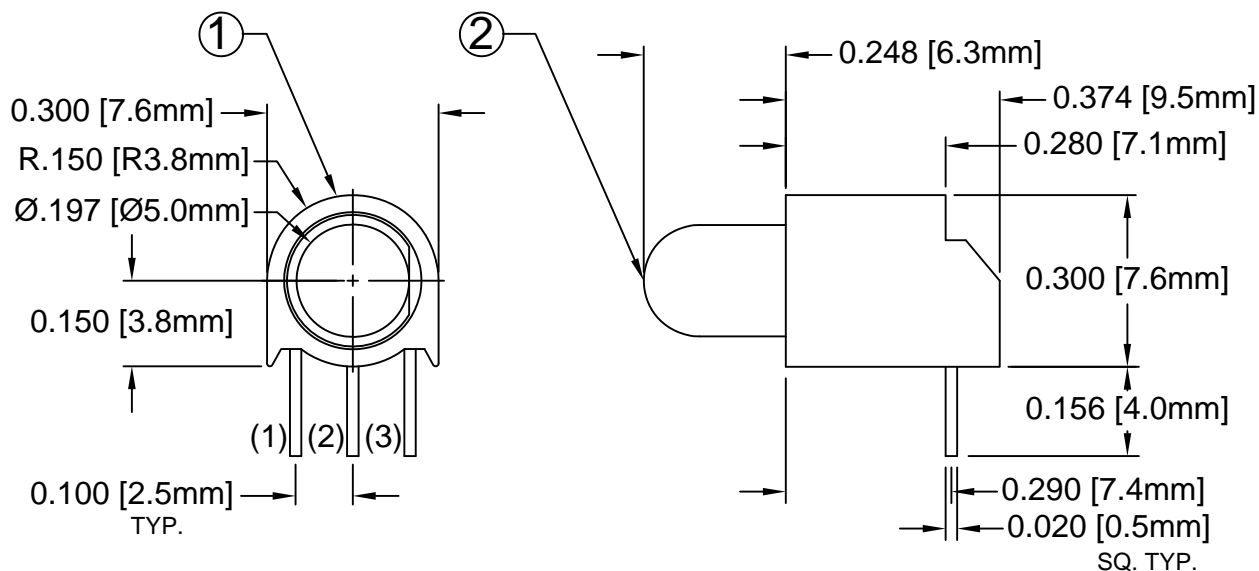
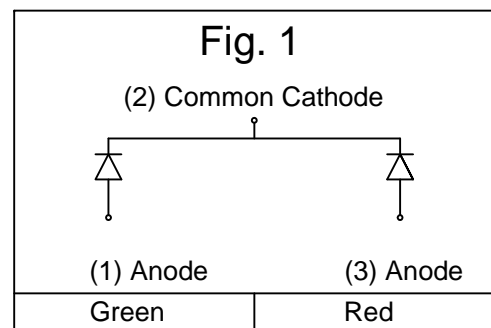
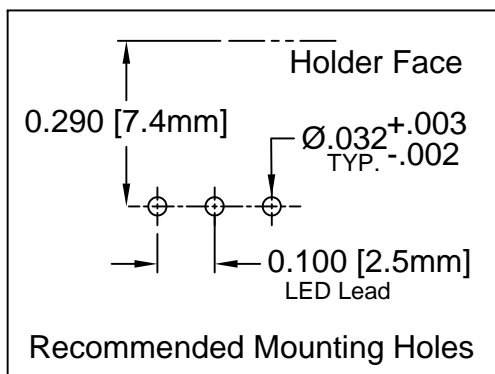


| ITEM | Q'TY | PART NUMBER | PART DESCRIPTION                                       |
|------|------|-------------|--|
| 1    | 1    | H-178C-3    | T-1¼ (5mm) Single-Level Tri-Lead LED Holder, 90° Mount |
| 2    | 1    | 5BC-3-F     | T-1¼ (5mm) Bi-Color Flanged LED                        |

| REV. | DESCRIPTION                     | DATE     | APPROVED |
|------|---------------------------------|----------|----------|
| A    | Engineering Release             | 01/09/03 | M. C.    |
| B    | Typo Correction                 | 05/29/03 | M. C.    |
| C    | LED Protrusion Tolerance Update | 04/27/05 | M. C.    |
| D    | Changed LED Lead Cut Length     | 05/23/07 | M. C.    |
| E    | Engineering Update w/o Changes  | 06/20/16 | J. C.    |



| LED Part No. | Chip      |                                   |               | Lens Appearance | Absolute Max. Ratings |         |         |              | Electro-Optical Data @ 20mA |     |          | Viewing Angle (Deg) |
|--------------|-----------|-----------------------------------|---------------|-----------------|-----------------------|---------|---------|--------------|-----------------------------|-----|----------|---------------------|
|              | Material  | Peak Wave Length $\lambda_p$ (nm) | Emitted Color |                 | $\Delta\lambda$ (nm)  | Pd (mW) | If (mA) | Peak If (mA) | Vf (V)                      |     | Iv (mcd) |                     |
|              |           |                                   |               |                 |                       |         |         |              | TYP                         | MAX | TYP      |                     |
| 5BC-3-F      | GaAsP/GaP | 635                               | HE RED        | 45              | 80                    | 30      | 150     | 2.0          | 2.6                         | 30  | 45       |                     |
|              | GaP/GaP   | 568                               | GREEN         | 30              | 80                    | 30      | 150     | 2.2          | 2.6                         | 35  | 45       |                     |

## ABSOLUTE MAXIMUM RATINGS (Ta=25° C)

|   |                      |
|---|----------------------|
| REVERSE VOLTAGE _____                             | 5V                   |
| REVERSE CURRENT _____                             | 100uA                |
| OPERATING TEMPERATURE RANGE _____                 | -40° C - 80° C       |
| STORAGE TEMPERATURE _____                         | -40° C - 100° C      |
| LEAD SOLDERING TEMPERATURE(1/16" FROM BODY) _____ | 260° C FOR 5 SECONDS |

|  |                          |  |  |
|--|--------------------------|--|--|
| STANDARD TOLERANCE<br>(UNLESS OTHERWISE SPECIFIED) |                          | <br>4 THOMAS, IRVINE, CA. 92618<br>TEL: (949) 951-8808 FAX: (949) 951-3974 |  |
| DECIMALS   | ANGULAR                  |  |  |
| .X ± .1  | X° ± 1°                  | <br><b>TITLE:</b> T-1¼ (5mm) BI-COLOR 3 LEAD<br>90° SINGLE-LEVEL LED ASSY  |  |
| .XX ± .02  |                          |  |  |
| .XXX ± .010  |                          |  |  |
| DESIGNED:<br><b>D. Green</b>                       | DATE:<br><b>01/09/03</b> | <b>PART NO:</b><br><b>H178CBC-3-RP</b>                                     |  |
| CHECKED:<br><b>M. Chen</b>                         | DATE:<br><b>01/09/03</b> | <b>REVISION:</b><br><b>E</b>   |  |
|  |                          | <b>CAGE CODE :</b> 32559 <b>SHEET #</b> 1 OF 1                             |  |
| CAD GENERATED DOCUMENT. DO NOT MEASURE DRAWING.    |                          |  |  |

## X-ON Electronics

Largest Supplier of Electrical and Electronic Components

*Click to view similar products for [LED Circuit Board Indicators](#) category:*

*Click to view products by [Bivar](#) manufacturer:*

Other Similar products are found below :

[568-0701-841F](#) [LTL-4221NH129](#) [LTL-42DGNMHDP1](#) [HLMP1521101](#) [HLMP1523802F](#) [HLMP1700101F](#) [HLMP1700104F](#) [SMF-HM1530YD-305](#) [SSF-LXH409SYSUGW](#) [AM2520EHSGD](#) [HLMP1301104F](#) [HLMP1385101F](#) [HLMP1421101](#) [HLMP1503103F](#) [HLMP1503104F](#) [HLMP1700102F](#) [HLMP1700106F](#) [HLMP1700107F](#) [HLMP1790101F](#) [HLMP1790103F](#) [LTL-4211NHBP](#) [5390H3](#) [551-2802F](#) [552-0794-810F](#) [553-0222-812F](#) [HT3-BC-T](#) [564-0700-831F](#) [WP59BLGEW](#) [103-3101-1231-403](#) [5502407811F](#) [550-3007-810F](#) [551-3307MF](#) [552080-1](#) [573-2399-100F](#) [5932-927-2701-3F](#) [SMF-HM1530SRD-509](#) [SSF-LXH100MID](#) [SSF-LXH2103SRSDRP](#) [SSF-LXH555USBW](#) [WP937SB/4YGW](#) [WP937EB2EGW](#) [551-0312-802F](#) [553-0110-802F](#) [561-5501-050F](#) [6202T3-5VLC](#) [LTL-307G08A-D](#) [CMD57164](#) [568-2231-313F](#) [568-0102-809F](#) [568-0102-808F](#)