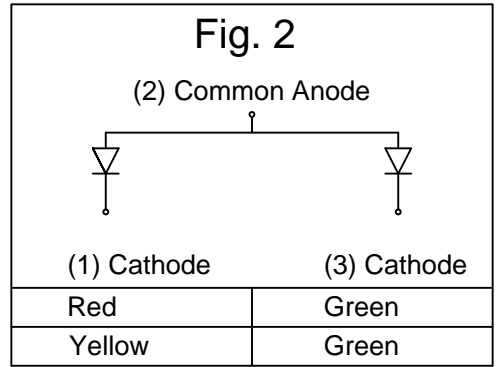
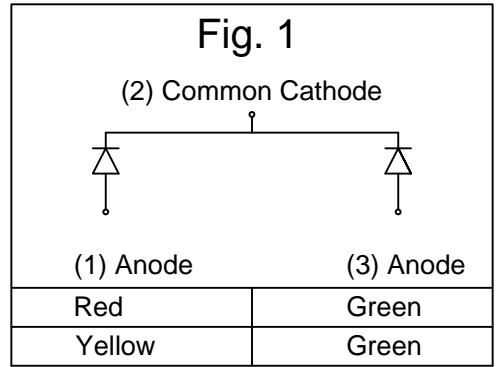
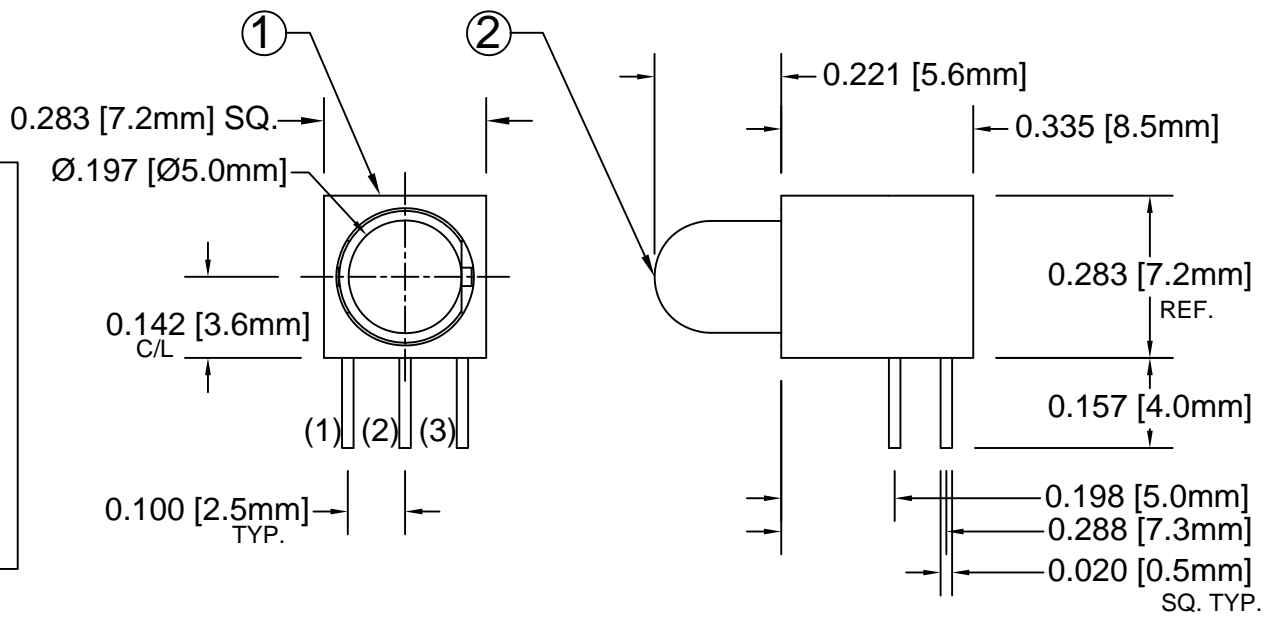
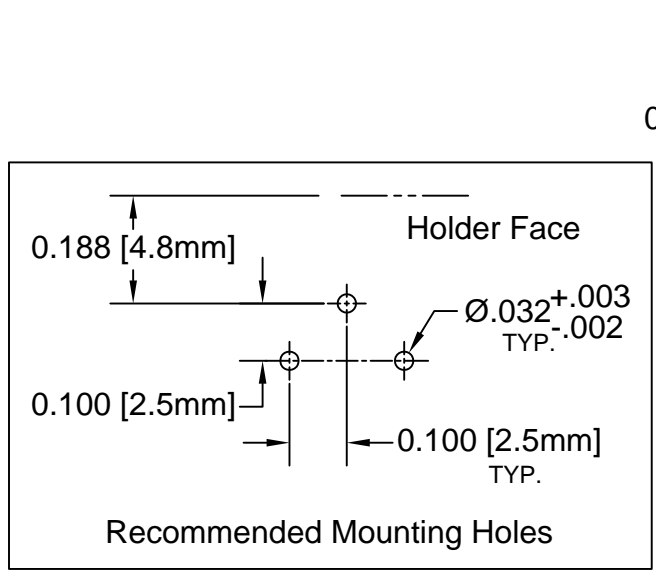


ITEM	Q'TY	PART NUMBER	PART DESCRIPTION
1	1	H-190C	T-1¼ (5mm) Single-Level Tri-Lead LED Holder, 90° Mount
2	1	5BC-3-XXXX-F	T-1¼ (5mm) Bi-Color/Tri-Color Flanged LED, See Page 2

REV.	DESCRIPTION	DATE	APPROVED
C	Engineering Update w/o Changes	03/05/04	M. C.
D	Removed P/N and Update Figure Drawings	03/04/15	J. C.
E	Engineering Update w/o Changes	06/20/16	J. C.



### ABSOLUTE MAXIMUM RATINGS (Ta=25° C)

REVERSE VOLTAGE	5V
REVERSE CURRENT	100uA
OPERATING TEMPERATURE RANGE	-25° C - 85° C
STORAGE TEMPERATURE	-30° C - 100° C
LEAD SOLDERING TEMPERATURE (1/16" FROM BODY)	260° C FOR 5 SECONDS

STANDARD TOLERANCE (UNLESS OTHERWISE SPECIFIED)	
DECIMALS	ANGULAR
.X ± .1	X° ± 1°
.XX ± .02	
.XXX ± .010	

**BIVAR**<sup>®</sup>  
4 THOMAS, IRVINE, CA. 92618  
TEL: (949) 951-8808 FAX: (949) 951-3974


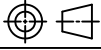
**TITLE:** T-1¼ (5MM) BI-COLOR 3 LEAD 90° SINGLE-LEVEL LED ASSY

<b>DESIGNED:</b> D. Green	<b>DATE:</b> 06/04/03	<b>PART NO:</b> H190C-3-XX	<b>REVISION:</b> E
<b>CHECKED:</b> M. Chen	<b>DATE:</b> 06/04/03	<b>CAGE CODE :</b> 32559	<b>SHEET # 1 OF 2</b>

CAD GENERATED DOCUMENT. DO NOT MEASURE DRAWING.

REV.	DESCRIPTION	DATE	APPROVED
	SEE SHEET #1		

LED Assembly No.	Peak Wavelength $\lambda_p$ (nm)	Emitted Color	Lens Appearance	Abs. Max. Rating	Electro-Optical Data @ 20mA			Viewing Angle 2 $\theta$ 1/2 (Deg)	LED P/N
					If (mA)	Vf (V)			
				TYP		MAX	TYP		
H190C-3 (FIG. 1)	635	HE RED	WHITE DIFFUSED	30	2.0	2.6	35	40	5BC-3-F
	568	GREEN		30	2.2	2.6	35		
H190C-3-Y/G (FIG. 1)	585	YELLOW	WHITE DIFFUSED	30	2.1	2.6	30	40	5BC-3-Y/G-F
	568	GREEN		30	2.2	2.6	35		
H190C-3-CA (FIG. 2)	635	HE RED	WHITE DIFFUSED	30	2.0	2.6	35	40	5BC-3-CA-F
	568	GREEN		30	2.2	2.6	35		
H190C-3-Y/G-CA (FIG. 2)	585	YELLOW	WHITE DIFFUSED	30	2.1	2.6	30	40	5BC-3-Y/G-CA-F
	568	GREEN		30	2.2	2.6	35		

STANDARD TOLERANCE ( UNLESS OTHERWISE SPECIFIED ) $\pm 10\%$ ALL VALUES    ANGULAR		 <b>BIVAR</b> <sup>®</sup> 4 THOMAS, IRVINE, CA. 92618 TEL: (949) 951-8808    FAX: (949) 951-3974		
				<b>TITLE:</b> T-1 $\frac{3}{4}$ (5MM) BI-COLOR 3 LEAD 90° SINGLE-LEVEL LED ASSY
DESIGNED: <b>D. Green</b>	DATE: <b>06/04/03</b>	<b>PART NO:</b> H190C-3-XX		REVISION: <b>E</b>
CHECKED: <b>M. Chen</b>	DATE: <b>06/04/03</b>	<b>CAGE CODE :</b> 32559		<b>SHEET # 2 OF 2</b>
CAD GENERATED DOCUMENT. DO NOT MEASURE DRAWING.				

## X-ON Electronics

Largest Supplier of Electrical and Electronic Components

*Click to view similar products for [LED Circuit Board Indicators](#) category:*

*Click to view products by [Bivar](#) manufacturer:*

Other Similar products are found below :

[568-0701-841F](#) [LTL-4221NH129](#) [LTL-42DGNMHDP1](#) [HLMP1521101](#) [HLMP1523802F](#) [HLMP1700101F](#) [HLMP1700104F](#) [SMF-HM1530YD-305](#) [SSF-LXH409SYSUGW](#) [AM2520EHSGD](#) [HLMP1301104F](#) [HLMP1385101F](#) [HLMP1421101](#) [HLMP1503103F](#) [HLMP1503104F](#) [HLMP1700102F](#) [HLMP1700106F](#) [HLMP1700107F](#) [HLMP1790101F](#) [HLMP1790103F](#) [LTL-4211NHBP](#) [5390H3](#) [551-2802F](#) [552-0794-810F](#) [553-0222-812F](#) [HT3-BC-T](#) [564-0700-831F](#) [WP59BLGEW](#) [103-3101-1231-403](#) [5502407811F](#) [550-3007-810F](#) [551-3307MF](#) [552080-1](#) [573-2399-100F](#) [5932-927-2701-3F](#) [SMF-HM1530SRD-509](#) [SSF-LXH100MID](#) [SSF-LXH2103SRSDRP](#) [SSF-LXH555USBW](#) [WP937SB/4YGW](#) [WP937EB2EGW](#) [551-0312-802F](#) [553-0110-802F](#) [561-5501-050F](#) [6202T3-5VLC](#) [LTL-307G08A-D](#) [CMD57164](#) [568-2231-313F](#) [568-0102-809F](#) [568-0102-808F](#)