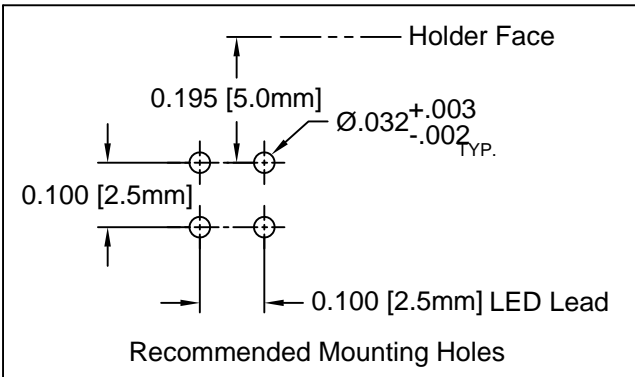
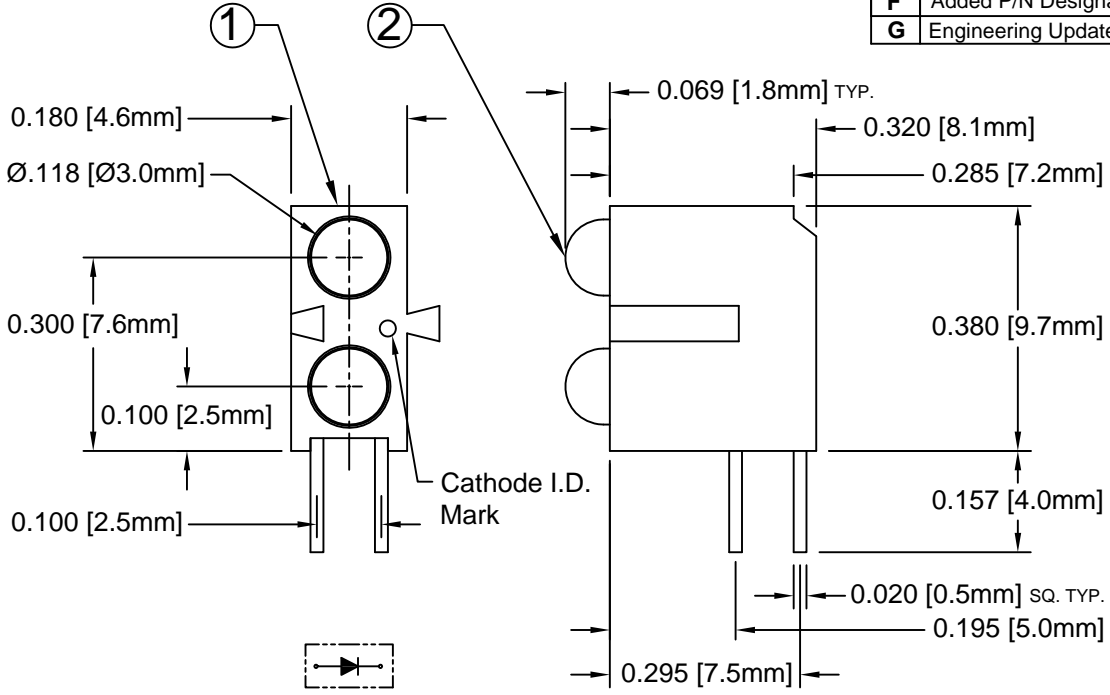


ITEM	Q'TY	PART NUMBER	PART DESCRIPTION
1	1	H-200C	T-1 (3mm) Bi-Level LED Holder, 90° Mount, Interlocking
2	2	3XX-S	T-1 (3mm) N-Flange Shouldered LED, See Page 2

REV.	DESCRIPTION	DATE	APPROVED
B	Added H200CRDL & H200CSRDL	03/25/05	M. C.
C	Added H200BWC	02/14/07	M. C.
D	Corrected Recommended Hole Pattern	03/28/07	M. C.
E	LED Package Change to 3XX-S LEDs	12/14/07	M. C.
F	Added P/N Designation	04/02/12	T. Y.
G	Engineering Update w/o Changes	06/21/16	J. C.



**NOTE: P/N DESIGNATION**

**H200CXXDX**

- H-400 Holder Series
- Color of top LED - Use "X" if blank
- Color of Bottom LED - Use "X" if blank
- " " Standard LED
- "L" Low Current LED
- "5V" 5V LED
- Lens Appearance

**-If LEDs are the same, use e.g. H200CGD**  
 All Green Diffused LEDs


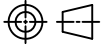
**ABSOLUTE MAXIMUM RATINGS (Ta=25° C)**

REVERSE VOLTAGE \_\_\_\_\_ 5V  
 REVERSE CURRENT \_\_\_\_\_ 100uA  
 OPERATING TEMPERATURE RANGE \_\_\_\_\_ -25° C - 85° C  
 STORAGE TEMPERATURE \_\_\_\_\_ -30° C - 100° C  
 LEAD SOLDERING TEMPERATURE(1/16" FROM BODY) \_\_\_\_\_ 260° C FOR 5 SECONDS

STANDARD TOLERANCE (UNLESS OTHERWISE SPECIFIED)		 4 THOMAS, IRVINE, CA. 92618 TEL: (949) 951-8808 FAX: (949) 951-3974	
DECIMALS	ANGULAR		
.X ± .1	X° ± 1°	 <b>TITLE:</b> T-1 (3MM) INTERLOCKING 90° BI-LEVEL LED ASSY	
.XX ± .02			
.XXX ± .010			
DESIGNED: <b>T. Yin</b>	DATE: <b>03/05/04</b>	<b>PART NO:</b> H200CXX	REVISION: <b>G</b>
CHECKED: <b>D. Green</b>	DATE: <b>03/05/04</b>	<b>CAGE CODE :</b> 32559	<b>SHEET # 1 OF 2</b>
CAD GENERATED DOCUMENT. DO NOT MEASURE DRAWING.			

REV.	DESCRIPTION	DATE	APPROVED
	SEE SHEET #1		

LED Assy. No.	Peak Wave Length $\lambda_p$ (nm)	Emitted Color	Lens Appearance	Electro-Optical Data				Viewing Angle $2\theta \frac{1}{2}$ (Deg)	LED P/N
				If (mA)	Vf (V)		Iv (mcd)		
				TYP	TYP	MAX	TYP		
<b>STANDARD</b>				<b>Data @ 20mA</b>					
H200CBWD	430	BLUE	DIFFUSED	20	4.0	4.5	20	45	3BWD-S
H200CBWC	430	BLUE	WATER CLEAR	20	4.0	4.5	50	30	3BWC-S
H200CGD	565	GREEN	DIFFUSED	20	2.2	2.6	30	45	3GD-S
H200CYD	585	YELLOW	DIFFUSED	20	2.1	2.6	20	45	3YD-S
H200CHD	635	HE RED	DIFFUSED	20	2.0	2.6	30	45	3HD-S
H200CRD	655	RED	DIFFUSED	20	1.7	2.0	6	45	3RD-S
H200CSR	660	SUPER RED	DIFFUSED	20	1.7	2.6	90	45	3SRD-S
<b>LOW CURRENT</b>				<b>Data @ 2mA</b>					
H200CGDL	565	GREEN	DIFFUSED	2	1.9	2.2	6	45	3GDL-S
H200CYDL	585	YELLOW	DIFFUSED	2	1.9	2.2	4	45	3YDL-S
H200CHDL	635	HE RED	DIFFUSED	2	1.8	2.2	6	45	3HDL-S
H200CRDL	655	RED	DIFFUSED	2	1.9	2.2	1	45	3RDL-S
H200CSRDL	660	SUPER RED	DIFFUSED	2	1.6	2.0	14	45	3SRDL-S
<b>5 VOLT</b>				<b>Data @ 5V</b>					
H200CGD5V	565	GREEN	DIFFUSED	10	-	5.0	30	45	3GD5V-S
H200CYD5V	585	YELLOW	DIFFUSED	10	-	5.0	20	45	3YD5V-S
H200CHD5V	635	HE RED	DIFFUSED	10	-	5.0	30	45	3HD5V-S

STANDARD TOLERANCE (UNLESS OTHERWISE SPECIFIED) $\pm 10\%$ ALL VALUES    ANGULAR		 4 THOMAS, IRVINE, CA. 92618 TEL: (949) 951-8808    FAX: (949) 951-3974	
			
DESIGNED: <b>T. Yin</b>	DATE: <b>03/05/04</b>	<b>TITLE:</b> T-1 (3MM) INTERLOCKING 90° BI-LEVEL LED ASSY	
CHECKED: <b>D. Green</b>	DATE: <b>03/05/04</b>	<b>PART NO:</b> H200CXX	<b>REVISION:</b> G
		<b>CAGE CODE :</b> 32559	<b>SHEET # 2 OF 2</b>
CAD GENERATED DOCUMENT. DO NOT MEASURE DRAWING.			

## X-ON Electronics

Largest Supplier of Electrical and Electronic Components

*Click to view similar products for [LED Circuit Board Indicators](#) category:*

*Click to view products by [Bivar](#) manufacturer:*

Other Similar products are found below :

[568-0701-841F](#) [LTL-4221NH129](#) [LTL-42DGNMHDP1](#) [HLMP1521101](#) [HLMP1523802F](#) [HLMP1700101F](#) [HLMP1700104F](#) [SMF-HM1530YD-305](#) [SSF-LXH409SYSUGW](#) [AM2520EHSGD](#) [HLMP1301104F](#) [HLMP1385101F](#) [HLMP1421101](#) [HLMP1503103F](#) [HLMP1503104F](#) [HLMP1700102F](#) [HLMP1700106F](#) [HLMP1700107F](#) [HLMP1790101F](#) [HLMP1790103F](#) [LTL-4211NHBP](#) [5390H3](#) [551-2802F](#) [552-0794-810F](#) [553-0222-812F](#) [HT3-BC-T](#) [564-0700-831F](#) [WP59BLGEW](#) [103-3101-1231-403](#) [5502407811F](#) [550-3007-810F](#) [551-3307MF](#) [552080-1](#) [573-2399-100F](#) [5932-927-2701-3F](#) [SMF-HM1530SRD-509](#) [SSF-LXH100MID](#) [SSF-LXH2103SRSDRP](#) [SSF-LXH555USBW](#) [WP937SB/4YGW](#) [WP937EB2EGW](#) [551-0312-802F](#) [553-0110-802F](#) [561-5501-050F](#) [6202T3-5VLC](#) [LTL-307G08A-D](#) [CMD57164](#) [568-2231-313F](#) [568-0102-809F](#) [568-0102-808F](#)