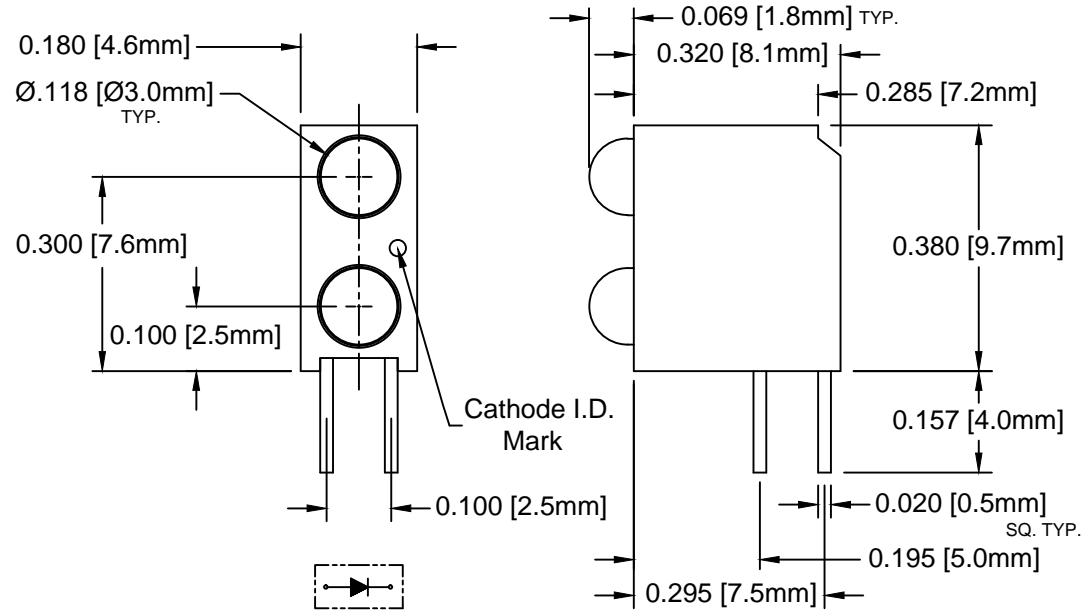
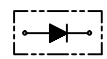


REV.	DESCRIPTION	DATE	APPROVED
E	Removed H201CBCXX Specifications	01/25/08	M. C.
F	Updated Note and H201CAD Specs	04/28/08	M. C.
G	Updated Note and H201CRD5V Specs	05/20/08	M. C.
H	Added H201CGC Specs	11/18/08	T. Y.
J	Engineering Update w/o Changes	06/21/16	J. C.
K	Updated per EOL Notice	11/18/19	A. V.
L	ECO-1073 Removed BOM	10/19/20	A. V.



Note: P/N Designation



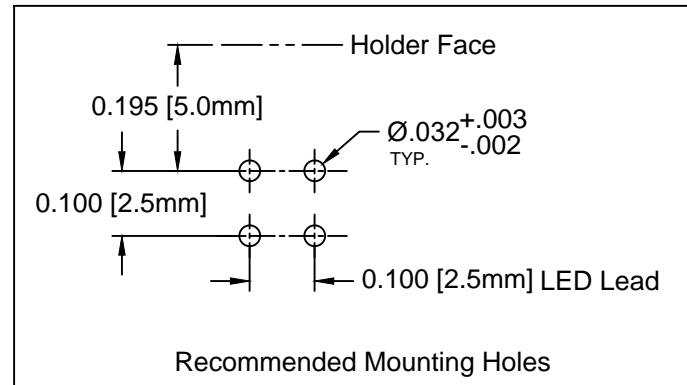
H201CY X D X X

Color of top LED - Use "X" if blank

Color of bottom LED - Use "X" if blank

- "L" Low Current LED
- " " if Standard LED

- If top and bottom are same LED, i.e. H201C_YD



CUSTOMER USE DRAWING

ABSOLUTE MAXIMUM RATINGS (Ta=25° C)

REVERSE VOLTAGE _____ 5V

REVERSE CURRENT _____ 100uA

OPERATING TEMPERATURE RANGE _____ -25° C - 85° C

STORAGE TEMPERATURE _____ -30° C - 100° C

LEAD SOLDERING TEMPERATURE(1/16" FROM BODY) _____ 260° C FOR 5 SECONDS

STANDARD TOLERANCE (UNLESS OTHERWISE SPECIFIED)		 4 THOMAS, IRVINE, CA. 92618 TEL: (949) 951-8808 FAX: (949) 951-3974	
DECIMALS	ANGULAR		
.X ±.1	X° ±1°		
.XX ±.02		 TITLE: T-1 (3MM) 90° BI-LEVEL LED ASSY	
.XXX ±.010			
DESIGNED: T. Yin	DATE: 03/05/04	DRAWING NO: H201CXX	REVISION: L
REVISED: V. Chavez	DATE: 10/19/20	SHEET SIZE: A	CAGE CODE: 32559
CHECKED: A. Valdez	DATE: 10/19/20	SCALE: NONE	SHEET # 1 OF 2
CAD GENERATED DOCUMENT, DO NOT MEASURE DRAWING			

REV.	DESCRIPTION	DATE	APPROVED
	SEE SHEET #1		

LED Assy. No.	Peak Wave Length λ_p (nm)	Emitted Color	Lens Appearance	Electro-Optical Data				Viewing Angle 2 Y 1/2 (Deg)	LED P/N
				If (mA)	Vf (V)		Iv (mcd)		
				TYP	TYP	MAX	TYP		
STANDARD				Data @ 20mA					
H201CBWD	430	BLUE	DIFFUSED	20	4.0	4.5	10	40	3BWD-S
H201CGD	568	GREEN	DIFFUSED	20	2.1	2.8	25	40	3GD-S
H201CGC	568	GREEN	WATER CLEAR	20	2.1	2.8	40	30	3GC-S
H201CYD	590	YELLOW	DIFFUSED	20	2.0	2.8	20	40	3YD-S
H201CHD	625	HE RED	DIFFUSED	20	2.0	2.8	30	40	3HD-S
H201CRD	700	RED	DIFFUSED	20	2.1	2.8	2	40	3RD-S
H201CSR	645	SUPER RED	DIFFUSED	20	1.7	2.4	40	40	3SRD-S
H201CAD	605	AMBER	DIFFUSED	20	2	2.8	25	40	3AD-S
LOW CURRENT				Data @ 2mA					
H201CGDL	568	GREEN	DIFFUSED	2	2.1	2.6	2	40	3GDL-S
H201CYDL	590	YELLOW	DIFFUSED	2	2.0	2.6	2	40	3YDL-S
H201CHDL	625	HE RED	DIFFUSED	2	2.0	2.6	3	40	3HDL-S
H201CRDL	700	RED	DIFFUSED	2	2.1	2.6	1	40	3RDL-S

CUSTOMER USE DRAWING

		BIVAR[®]	
CAGE CODE	32559	DRAWING NO:	H201CXX
SHEET SIZE	A	REVISION:	L
		SCALE:	NONE
		SHEET #	2 OF 2
<small>CAD GENERATED DOCUMENT, DO NOT MEASURE DRAWING</small>			

X-ON Electronics

Largest Supplier of Electrical and Electronic Components

Click to view similar products for [LED Circuit Board Indicators](#) category:

Click to view products by [Bivar](#) manufacturer:

Other Similar products are found below :

[568-0701-841F](#) [LTL-4221NH129](#) [LTL-42DGNMHDP1](#) [HLMP1521101](#) [HLMP1523802F](#) [HLMP1700101F](#) [HLMP1700104F](#) [SMF-HM1530YD-305](#) [SSF-LXH409SYSUGW](#) [AM2520EHSGD](#) [HLMP1301104F](#) [HLMP1385101F](#) [HLMP1421101](#) [HLMP1503103F](#) [HLMP1503104F](#) [HLMP1700102F](#) [HLMP1700106F](#) [HLMP1700107F](#) [HLMP1790101F](#) [HLMP1790103F](#) [LTL-4211NHBP](#) [5390H3](#) [551-2802F](#) [552-0794-810F](#) [553-0222-812F](#) [HT3-BC-T](#) [564-0700-831F](#) [WP59BLGEW](#) [103-3101-1231-403](#) [5502407811F](#) [550-3007-810F](#) [551-3307MF](#) [552080-1](#) [573-2399-100F](#) [5932-927-2701-3F](#) [SMF-HM1530SRD-509](#) [SSF-LXH100MID](#) [SSF-LXH2103SRSDRP](#) [SSF-LXH555USBW](#) [WP937SB/4YGW](#) [WP937EB2EGW](#) [551-0312-802F](#) [553-0110-802F](#) [561-5501-050F](#) [6202T3-5VLC](#) [LTL-307G08A-D](#) [CMD57164](#) [568-2231-313F](#) [568-0102-809F](#) [568-0102-808F](#)