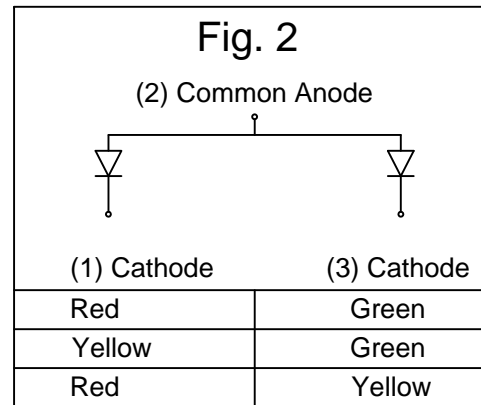
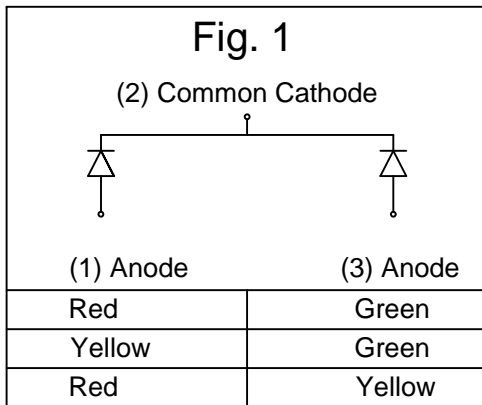
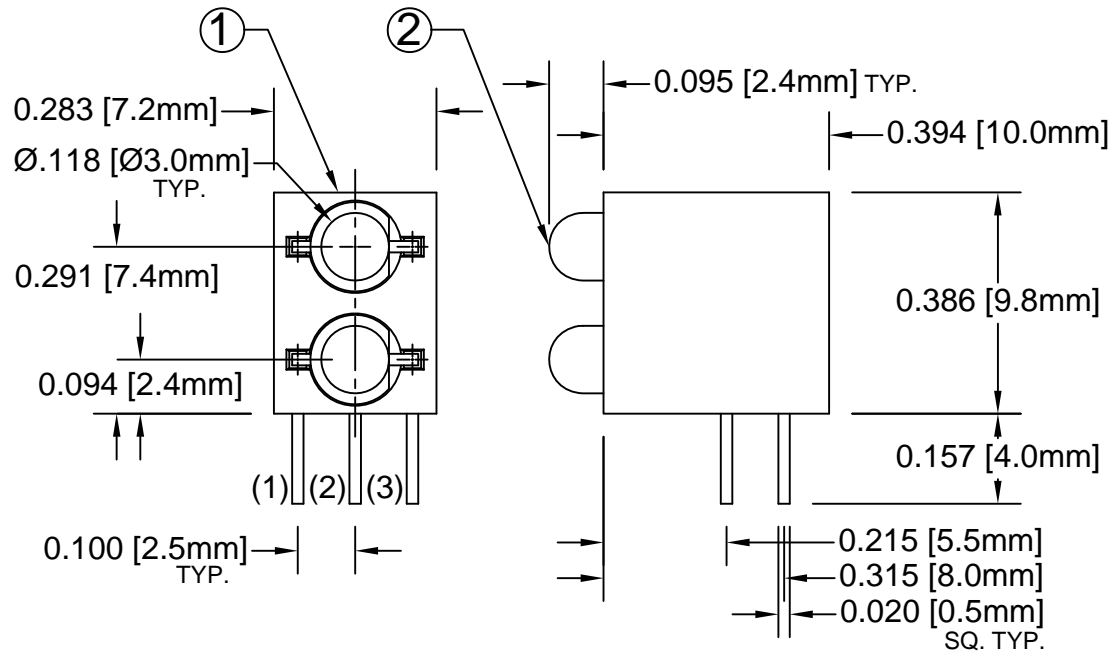
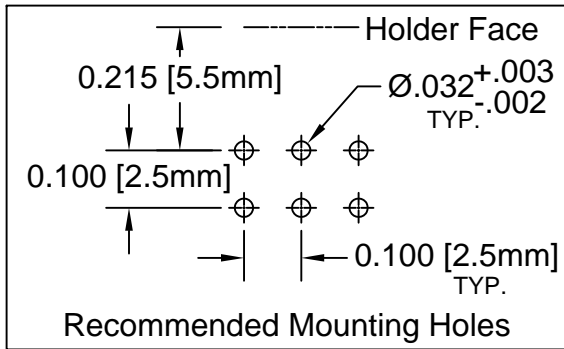


ITEM	Q'TY	PART NUMBER	PART DESCRIPTION
1	1	H-280C	T-1 (3mm) Bi-Level Tri-Lead LED Holder, 90° Mount
2	2	3BC-3-XXXX-F	T-1 (3mm) Bi-Color/Tri-Color Flanged LED, See Page 2

REV.	DESCRIPTION	DATE	APPROVED
A	Engineering Update w/o Changes	03/05/04	M. C.
B	Removed Fig. 3	04/05/05	M. C.
C	Engineering Update w/o Changes	06/22/16	J. C.





ABSOLUTE MAXIMUM RATINGS (Ta=25° C)

REVERSE VOLTAGE	5V
REVERSE CURRENT	100uA
OPERATING TEMPERATURE RANGE	-25° C - 85° C
STORAGE TEMPERATURE	-30° C - 100° C
LEAD SOLDERING TEMPERATURE(1/16" FROM BODY)	260° C FOR 5 SECONDS

STANDARD TOLERANCE (UNLESS OTHERWISE SPECIFIED)		BIVAR®	
DECIMALS	ANGULAR	4 THOMAS, IRVINE, CA. 92618 TEL: (949) 951-8808 FAX: (949) 951-3974	
.X ± .1	X° ± 1°	TITLE: T-1 (3MM) BI-COLOR 3 LEAD 90° BI-LEVEL LED ASSY	
.XX ± .02			
.XXX ± .010			
DESIGNED: D. Green	DATE: 03/05/04	PART NO: H280CBCXXXX	REVISION: C
CHECKED: M. Chen	DATE: 03/05/04	CAGE CODE : 32559	SHEET # 1 OF 2
CAD GENERATED DOCUMENT. DO NOT MEASURE DRAWING.			

REV.	DESCRIPTION	DATE	APPROVED
	SEE SHEET #1		

LED Assy. No.	Peak Wave Length λ_p (nm)	Emitted Color	Lens Appearance	Abs. Max. Rating	Electro-Optical Data @ 20m A			Viewing Angle $2\theta_{1/2}$ (Deg)	LED P/N	
					If (mA)	Vf (V)				Iv (mcd)
						TYP	MAX			TYP
H280CBC (Fig. 1)	635	HE RED	WHITE DIFFUSED	30	2.0	2.6	35.0	40	3BC-3-F	
	568	GREEN		30	2.2	2.6	35.0			
H280CBC-Y/G (Fig. 1)	585	YELLOW	WHITE DIFFUSED	30	2.1	2.6	30.0	40	3BC-3-Y/G-F	
	568	GREEN		30	2.2	2.6	35.0			
H280CBC-CA (Fig. 2)	635	HE RED	WHITE DIFFUSED	30	2.0	2.6	35.0	40	3BC-3-CA-F	
	568	GREEN		30	2.2	2.6	35.0			
H280CBC-Y/G-CA (Fig. 2)	585	YELLOW	WHITE DIFFUSED	30	2.1	2.6	30.0	40	3BC-3-Y/G-CA-F	
	568	GREEN		30	2.2	2.6	35.0			

STANDARD TOLERANCE (UNLESS OTHERWISE SPECIFIED) $\pm 10\%$ ALL VALUES ANGULAR		 BIVAR [®] 4 THOMAS, IRVINE, CA. 92618 TEL: (949) 951-8808 FAX: (949) 951-3974		
				TITLE: T-1 (3MM) BI-COLOR 3 LEAD 90° BI-LEVEL LED ASSY
DESIGNED: T. Yin	DATE: 03/05/04	PART NO: H280CBCXXXX		REVISION: C
CHECKED: D. Green	DATE: 03/05/04	CAGE CODE : 32559		SHEET # 2 OF 2
CAD GENERATED DOCUMENT. DO NOT MEASURE DRAWING.				

X-ON Electronics

Largest Supplier of Electrical and Electronic Components

Click to view similar products for [LED Circuit Board Indicators](#) category:

Click to view products by [Bivar](#) manufacturer:

Other Similar products are found below :

[568-0701-841F](#) [LTL-4221NH129](#) [LTL-42DGNMHDP1](#) [HLMP1521101](#) [HLMP1523802F](#) [HLMP1700101F](#) [HLMP1700104F](#) [SMF-HM1530YD-305](#) [SSF-LXH409SYSUGW](#) [AM2520EHSGD](#) [HLMP1301104F](#) [HLMP1385101F](#) [HLMP1421101](#) [HLMP1503103F](#) [HLMP1503104F](#) [HLMP1700102F](#) [HLMP1700106F](#) [HLMP1700107F](#) [HLMP1790101F](#) [HLMP1790103F](#) [LTL-4211NHBP](#) [5390H3](#) [551-2802F](#) [552-0794-810F](#) [553-0222-812F](#) [HT3-BC-T](#) [564-0700-831F](#) [WP59BLGEW](#) [103-3101-1231-403](#) [5502407811F](#) [550-3007-810F](#) [551-3307MF](#) [552080-1](#) [573-2399-100F](#) [5932-927-2701-3F](#) [SMF-HM1530SRD-509](#) [SSF-LXH100MID](#) [SSF-LXH2103SRSDRP](#) [SSF-LXH555USBW](#) [WP937SB/4YGW](#) [WP937EB2EGW](#) [551-0312-802F](#) [553-0110-802F](#) [561-5501-050F](#) [6202T3-5VLC](#) [LTL-307G08A-D](#) [CMD57164](#) [568-2231-313F](#) [568-0102-809F](#) [568-0102-808F](#)