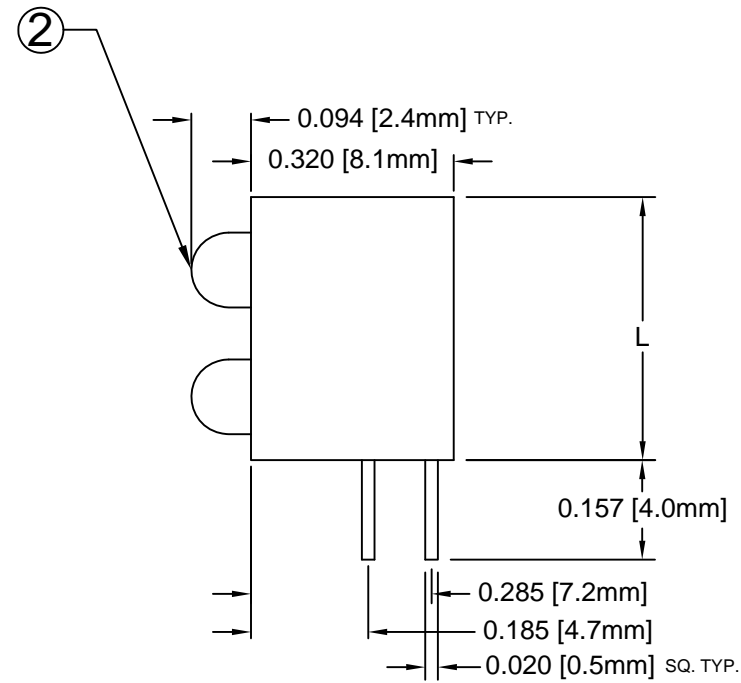
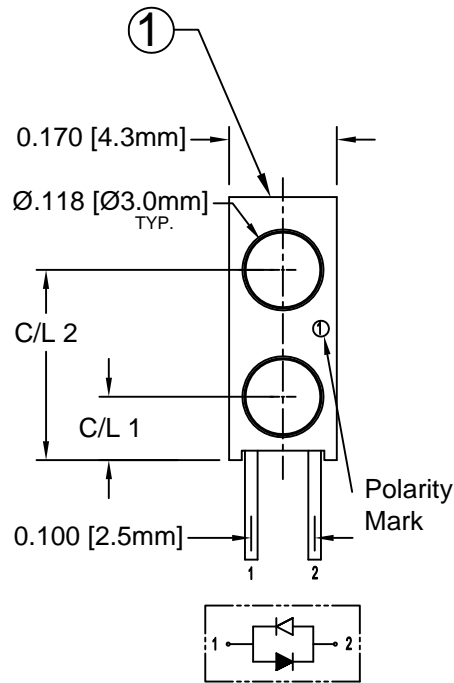


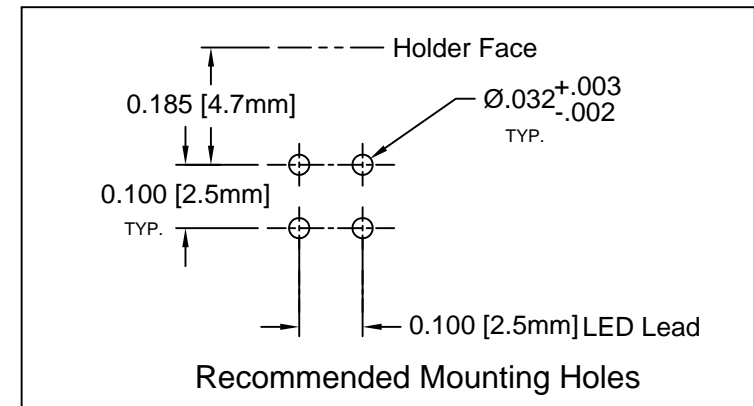
ITEM	Q'TY	PART NUMBER	PART DESCRIPTION
1	1	H-301C-1-XXX	T-1 (3mm) Bi-Level LED Holder, 90° Mount, Var. C/L
2	2	3BC-X	T-1 (3mm) N-Flange Shouldered LED, See Page 2

REV.	DESCRIPTION	DATE	APPROVED
A	Engineering Release	05/25/11	T. Y.
B	Engineering Update w/o Changes	06/24/16	J. C.



LED P/N	(1) CATHODE	(2) CATHODE
3BC	GREEN	RED
3BC-A/G	GREEN	AMBER
3BC-R/Y	YELLOW	RED
3BC-Y/G	GREEN	YELLOW

Available Centerlines			
XXX	C/L 1	C/L 2	L
100	.100 (2.5)	.300 (7.6)	.415 (10.6)
120	.120 (3.0)	.320 (8.1)	.435 (11.0)
140	.140 (3.6)	.340 (8.6)	.455 (11.6)
160	.160 (4.1)	.360 (9.1)	.475 (12.1)
180	.180 (4.6)	.380 (9.7)	.495 (12.6)



## ABSOLUTE MAXIMUM RATINGS (Ta=25° C)

OPERATING TEMPERATURE RANGE \_\_\_\_\_ -25° C - 85° C

STORAGE TEMPERATURE \_\_\_\_\_ -30° C - 100° C

LEAD SOLDERING TEMPERATURE(1/16" FROM BODY) \_\_\_\_\_ 260° C FOR 5 SECONDS

STANDARD TOLERANCE (UNLESS OTHERWISE SPECIFIED)	
DECIMALS	ANGULAR
.X ± .1	X° ± 1°
.XX ± .02	
.XXX ± .010	

**BIVAR**®

4 THOMAS, IRVINE, CA. 92618  
TEL: (949) 951-8808 FAX: (949) 951-3974

TITLE: T-1 (3MM) 90° BI-LEVEL  
VAR. C/L LED ASSY

DESIGNED: <b>M. Myers</b>	DATE: <b>05/25/11</b>
CHECKED: <b>R. Paje</b>	DATE: <b>05/25/11</b>

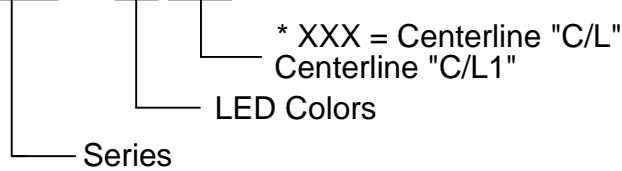
PART NO: <b>H301CBC-XX-XXX</b>	REVISION: <b>B</b>
CAGE CODE : <b>32559</b>	SHEET # <b>1 OF 2</b>
CAD GENERATED DOCUMENT. DO NOT MEASURE DRAWING.	


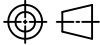
REV.	DESCRIPTION	DATE	APPROVED
	SEE SHEET #1		

LED Assy. No.	Peak Wave Length $\lambda_p$ (nm)	Emitted Color	Lens Appearance	Electro-Optical Data @ 20mA				Viewing Angle $2\theta_{1/2}$ (Deg)	LED P/N
				If (mA)	Vf (V)		Iv (mcd)		
				TYP	TYP	MAX	TYP		
H301CBC-XXX	625	RED	WHITE DIFFUSED	20	2.0	2.8	6	45	3BC
	568	GREEN		20	2.1	2.8	6	45	
H301CBC-A/G-XXX	605	AMBER	WHITE DIFFUSED	20	2.0	2.8	6	45	3BC-A/G
	568	GREEN		20	2.1	2.8	6	45	
H301CBC-R/Y-XXX	625	RED	WHITE DIFFUSED	20	2.0	2.8	6	45	3BC-R/Y
	590	YELLOW		20	2.0	2.8	4	45	
H301CBC-Y/G-XXX	590	YELLOW	WHITE DIFFUSED	20	2.0	2.8	4	45	3BC-Y/G
	568	GREEN		20	2.1	2.8	6	45	

**PART NUMBER DESIGNATION**

H301CBC-XX-XXX\*



STANDARD TOLERANCE ( UNLESS OTHERWISE SPECIFIED ) $\pm 10\%$ ALL VALUES    ANGULAR		 4 THOMAS, IRVINE, CA. 92618 TEL: (949) 951-8808    FAX: (949) 951-3974		
				<b>TITLE:</b> T-1 (3MM) 90° BI-LEVEL VAR. C/L LED ASSY
DESIGNED: <b>M. Myers</b>	DATE: <b>05/25/11</b>	<b>PART NO:</b> H301CBC-XX-XXX		REVISION: <b>B</b>
CHECKED: <b>R. Paje</b>	DATE: <b>05/25/11</b>	<b>CAGE CODE :</b> 32559	<b>SHEET # 2 OF 2</b>	
CAD GENERATED DOCUMENT. DO NOT MEASURE DRAWING.				

## X-ON Electronics

Largest Supplier of Electrical and Electronic Components

*Click to view similar products for [LED Circuit Board Indicators](#) category:*

*Click to view products by [Bivar](#) manufacturer:*

Other Similar products are found below :

[568-0701-841F](#) [LTL-4221NH129](#) [LTL-42DGNMHDP1](#) [HLMP1521101](#) [HLMP1523802F](#) [HLMP1700101F](#) [HLMP1700104F](#) [SMF-HM1530YD-305](#) [SSF-LXH409SYSUGW](#) [AM2520EHSGD](#) [HLMP1301104F](#) [HLMP1385101F](#) [HLMP1421101](#) [HLMP1503103F](#) [HLMP1503104F](#) [HLMP1700102F](#) [HLMP1700106F](#) [HLMP1700107F](#) [HLMP1790101F](#) [HLMP1790103F](#) [LTL-4211NHBP](#) [5390H3](#) [551-2802F](#) [552-0794-810F](#) [553-0222-812F](#) [HT3-BC-T](#) [564-0700-831F](#) [WP59BLGEW](#) [103-3101-1231-403](#) [5502407811F](#) [550-3007-810F](#) [551-3307MF](#) [552080-1](#) [573-2399-100F](#) [5932-927-2701-3F](#) [SMF-HM1530SRD-509](#) [SSF-LXH100MID](#) [SSF-LXH2103SRSDRP](#) [SSF-LXH555USBW](#) [WP937SB/4YGW](#) [WP937EB2EGW](#) [551-0312-802F](#) [553-0110-802F](#) [561-5501-050F](#) [6202T3-5VLC](#) [LTL-307G08A-D](#) [CMD57164](#) [568-2231-313F](#) [568-0102-809F](#) [568-0102-808F](#)