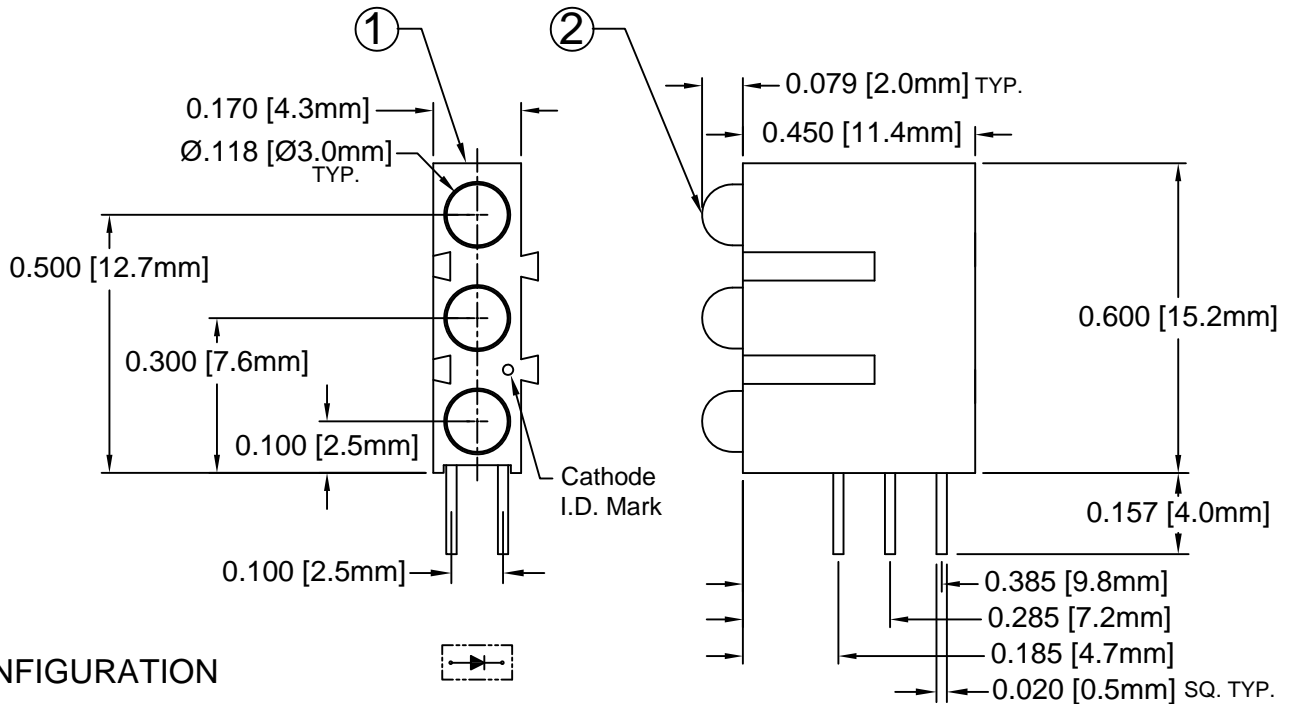
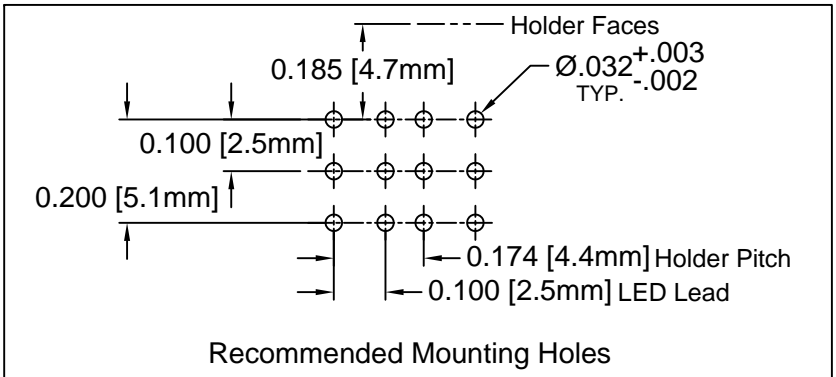
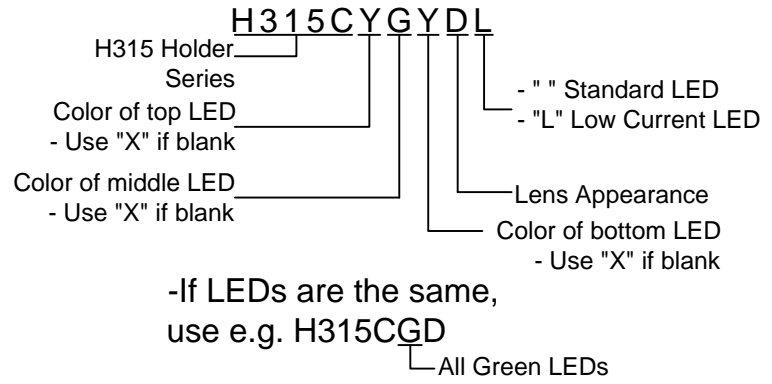


ITEM	Q'TY	PART NUMBER	PART DESCRIPTION
1	1	H-310C	T-1 (3mm) Tri-Level LED Holder, 90° Mount, Interlocking
2	3	3XX-201-S	T-1 (3mm) Extended Profile Shouldered LED, See Page 2

REV.	DESCRIPTION	DATE	APPROVED
A	Engineering Update w/o Changes	03/08/04	M. C.
B	LED Package Change to 3XX-201-S LEDs	12/14/07	M. C.
C	Typo, H315SRD should be H315CSR	06/22/12	M. C.
D	Removed Part Numbers, See Page 2	03/04/15	J. C.
E	Engineering Update w/o Changes	06/24/16	J. C.



NOTE: P/N CONFIGURATION




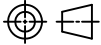
ABSOLUTE MAXIMUM RATINGS (Ta=25° C)

REVERSE VOLTAGE	5V
REVERSE CURRENT	100uA
OPERATING TEMPERATURE RANGE	-25° C - 85° C
STORAGE TEMPERATURE	-30° C - 100° C
LEAD SOLDERING TEMPERATURE(1/16" FROM BODY)	260° C FOR 5 SECONDS

STANDARD TOLERANCE (UNLESS OTHERWISE SPECIFIED)		 4 THOMAS, IRVINE, CA. 92618 TEL: (949) 951-8808 FAX: (949) 951-3974	
DECIMALS	ANGULAR		
.X ± .1	X° ± 1°	 TITLE: T-1 (3MM) INTERLOCKING 90° TRI-LEVEL LED ASSY	
.XX ± .02			
.XXX ± .010			
DESIGNED:	DATE:	PART NO: H315CXX REVISION: E	
T. Yin	03/08/04		
CHECKED:	DATE:	CAGE CODE : 32559 SHEET # 1 OF 2	
D. Green	03/08/04	CAD GENERATED DOCUMENT. DO NOT MEASURE DRAWING.	

REV.	DESCRIPTION	DATE	APPROVED
	SEE SHEET #1		

LED Assy. No.	Peak Wave Length λ_p (nm)	Emitted Color	Lens Appearance	Electro-Optical Data				Viewing Angle $2\theta \frac{1}{2}$ (Deg)	LED P/N
				If (mA)	Vf (V)		Iv (mcd)		
				TYP	TYP	MAX	TYP		
STANDARD				Data @ 20mA					
H315CBWD	430	BLUE	DIFFUSED	20	4.0	4.5	20	45	3BWD-201-S
H315CGD	565	GREEN	DIFFUSED	20	2.2	2.6	30	45	3GD-201-S
H315CYD	585	YELLOW	DIFFUSED	20	2.1	2.6	20	45	3YD-201-S
H315CHD	635	HE RED	DIFFUSED	20	2.0	2.6	30	45	3HD-201-S
H315CRD	655	RED	DIFFUSED	20	1.7	2.0	6	45	3RD-201-S
H315CSRDL	660	SUPER RED	DIFFUSED	20	2.2	2.6	90	45	3SRDL-201-S
LOW CURRENT				Data @ 2mA					
H315CGDL	565	GREEN	DIFFUSED	2	1.8	2.6	6	45	3GDL-201-S
H315CYDL	585	YELLOW	DIFFUSED	2	1.8	2.6	4	45	3YDL-201-S
H315CHDL	635	HE RED	DIFFUSED	2	1.8	2.6	6	45	3HDL-201-S

STANDARD TOLERANCE (UNLESS OTHERWISE SPECIFIED) $\pm 10\%$ ALL VALUES ANGULAR		 4 THOMAS, IRVINE, CA. 92618 TEL: (949) 951-8808 FAX: (949) 951-3974		
				TITLE: T-1 (3MM) INTERLOCKING 90° TRI-LEVEL LED ASSY
DESIGNED: T. Yin	DATE: 03/08/04	PART NO: H315CXX		REVISION: E
CHECKED: D. Green	DATE: 03/08/04	CAGE CODE : 32559		SHEET # 2 OF 2
CAD GENERATED DOCUMENT. DO NOT MEASURE DRAWING.				

X-ON Electronics

Largest Supplier of Electrical and Electronic Components

Click to view similar products for [LED Circuit Board Indicators](#) category:

Click to view products by [Bivar](#) manufacturer:

Other Similar products are found below :

[568-0701-841F](#) [LTL-4221NH129](#) [LTL-42DGNMHDP1](#) [HLMP1521101](#) [HLMP1523802F](#) [HLMP1700101F](#) [HLMP1700104F](#) [SMF-HM1530YD-305](#) [SSF-LXH409SYSUGW](#) [AM2520EHSGD](#) [HLMP1301104F](#) [HLMP1385101F](#) [HLMP1421101](#) [HLMP1503103F](#) [HLMP1503104F](#) [HLMP1700102F](#) [HLMP1700106F](#) [HLMP1700107F](#) [HLMP1790101F](#) [HLMP1790103F](#) [LTL-4211NHBP](#) [5390H3](#) [551-2802F](#) [552-0794-810F](#) [553-0222-812F](#) [HT3-BC-T](#) [564-0700-831F](#) [WP59BLGEW](#) [103-3101-1231-403](#) [5502407811F](#) [550-3007-810F](#) [551-3307MF](#) [552080-1](#) [573-2399-100F](#) [5932-927-2701-3F](#) [SMF-HM1530SRD-509](#) [SSF-LXH100MID](#) [SSF-LXH2103SRSDRP](#) [SSF-LXH555USBW](#) [WP937SB/4YGW](#) [WP937EB2EGW](#) [551-0312-802F](#) [553-0110-802F](#) [561-5501-050F](#) [6202T3-5VLC](#) [LTL-307G08A-D](#) [CMD57164](#) [568-2231-313F](#) [568-0102-809F](#) [568-0102-808F](#)